

All prices are in U.S. dollars effective for Quotes Between November 30, 2018 and March 31, 2019



Product	Description	List Price
X-LAB PACKAGES		
X-Lab Corner Space Packages		
XLE-X1-01	X-LAB EDGE - X1 Package (PLATINUM)	\$ 7,375
XLE-X1-03	X-LAB EDGE - X1 PACKAGE (ORANGE)	
XLE-X1-06	X-LAB EDGE-X1 PACKAGE (ILLUSION RED)	
XLE-X2-01	X-LAB EDGE - X2 PACKAGE (PLATINUM)	\$ 9,105
XLE-X2-03	X-LAB EDGE - X2 PACKAGE (ORANGE)	
XLE-X2-06	XLAB EDGE- X2 PACKAGE (ILLUSION RED)	
XLE-X4-01	X-LAB EDGE - X4 PACKAGE (PLATINUM)	\$ 10,390
XLE-X4-03	X-LAB EDGE - X4 PACKAGE (ILLUSION ORANGE)	
XLE-X4-06	X-LAB EDGE - X4 PACKAGE (ILLUSION RED)	
X-Lab Center Space Packages		
XLC-X1-01	X-LAB CENTER- X1 PACKAGE (PLATINUM)	\$ 4,220
XLC-X1-03	X-LAB CENTER- X1 PACKAGE (ILLUSION ORANGE)	
XLC-X1-06	XLAB CENTER- X1 PACKAGE (ILLUSION RED)	
XLC-X2-01	X-LAB CENTER- X2 PACKAGE (PLATINUM)	\$ 12,175
XLC-X2-03	X-LAB CENTER- X2- PACKAGE (ILLUSION ORANGE)	
XLC-X2-06	X-LAB CENTER- X2 PACKAGE (ILLUSION RED)	
XLC-X3-01	X-LAB CENTER- X3 PACKAGE (PLATINUM)	\$ 7,575
XLC-X3-03	X-LAB CENTER- X3 PACKAGE (ILLUSION ORANGE)	
XLC-X3-06	X-LAB CENTER- X3 PACKAGE (ILLUSION RED)	
XLC-X4-01	X-LAB CENTER- X4 PACKAGE (PLATINUM)	\$ 11,730
XLC-X4-03	X-LAB CENTER- X4 PACKAGE (ILLUSION ORANGE)	
XLC-X4-06	X-LAB CENTER- X4 PACKAGE (ILLUSION RED)	
XLC-X5-01	X-LAB CENTER- X5 PACKAGE (PLATINUM)	\$ 12,785
XLC-X5-03	X-LAB CENTER- X5 PACKAGE (ILLUSION ORANGE)	
XLC-X5-06	X-LAB CENTER- X5 PACKAGE (ILLUSION RED)	
XLC-X6-01	X-LAB CENTER- X6 PACKAGE (PLATINUM)	\$ 8,805
XLC-X6-03	X-LAB CENTER- X6 PACKAGE (ILLUSION ORANGE)	
XLC-X6-06	X-LAB CENTER- X6 PACKAGE (ILLUSION RED)	
X-Lab Wall Space Packages		
XML1-X2-03	X-LAB MONKEY 1 - X2 PACKAGE (ORANGE)	\$ 12,906
XML1-X2-06	X-LAB MONKEY 1- X2 PACKAGE (ILLUSION RED)	
XML1-X2-101	X-LAB MONKEY 1 - X2 PACKAGE (PLATINUM)	
XML1-X3-01	X-LAB MONKEY 1 - X3 PACKAGE (PLATINUM)	\$ 11,870
XML1-X3-03	X-LAB MONKEY 1 - X3 PACKAGE (ILLUSION ORANGE)	
XML1-X3-06	X-LAB MONKEY 1 - X3 PACKAGE (ILLUSION RED)	
XML1-X4-01	X-LAB MONKEY 1 - X4 PACKAGE (PLATINUM)	\$ 16,630
XML1-X4-03	X-LAB MONKEY 1 - X4 PACKAGE (ORANGE)	
XML1-X4-06	X-LAB MONKEY 1 - X4 PACKAGE (ILLUSION RED)	
X-Lab Components		
XLAB-801	30 DEG ANGLE BRACKET (QTY 2)	\$ 130
AT-101	ACCESSORY TRAY	\$ 300
BT-103	BALL TARGET	\$ 260
XCCAC-101	CABLE COLUMN ANGLE CONNECTOR	\$ 90
DTPG-101	Digital XLAB TRAINING PROGRAM GUIDE	\$ 495
DP-101	DOUBLE PLAY - BOX 1/1	\$ 101
XERD-101	ENDLESS ROPE DRUM	\$ 1,935
GRT-102	GROUND ROTATIONAL TRAINER	\$ 150
SU-101	STEP UP - BOX 1/1	\$ 40
XUHK1-101	UNIVERSAL HARDWARE KIT 1	\$ 15
UHBM-101	UNIVERSAL HEAVY BAG ANCHOR	\$ 260
XLAB-701-F01C	XLAB 4 SIDED UPRIGHT - BOX 1/1	\$ 440
XLAB-701-F06C	XLAB 4-SIDED UPRIGHT (ILLUSION RED)	\$ 440
XLAB-7HMB-101	XLAB 7 HANDLE MONKEY BAR - BOX 1/1	\$ 785
XLAB-AA-101	XLAB ATTACHMENT ANCHOR	\$ 365

All prices are in U.S. dollars effective for Quotes Between November 30, 2018 and March 31, 2019



Product	Description	List Price
XLBOOT-101	XLAB BOOT	\$ 20
XLAB-DA-101	XLAB DIP ATTACHMENT	\$ 285
XLAB-601	X-LAB FRAME SUPPORTS	\$ 1,675
XLAB-PS-101	XLAB PLYO STEP	\$ 390
XLAB-501-F01C	XLAB UNIVERSAL UPRIGHT (QTY 2)	\$ 825
XLAB-501-F06C	XLAB UNIVERSAL UPRIGHT (QTY 2) - (ILLUSION RED)	\$ 825
XLAB-501-F03C	XLAB UNIVERSAL UPRIGHT ILLUSION ORANGE	\$ 825
XLAB-401	XLAB, CROSS SUPPORT	\$ 120
XLAB-301-F01C	XLAB, RBA UPRIGHT	\$ 525
XLAB-301-F06C	XLAB, RBA UPRIGHT (ILLUSION RED)	\$ 525
XLAB-301-F03C	XLAB, RBA UPRIGHT ILLUSION ORANGE	\$ 525
XLAB-101	XLAB, TRIANGLE	\$ 915

X-CREATE PACKAGES

X-Create Base Wall Space Packages

XCW-1M-05	X-CREATE 1-MODULE WALL (PLATINUM 2)	\$ 1,155
XCW-2M-05	X-CREATE 2-MODULE WALL (PLATINUM 2)	\$ 1,755
XCW-3M-05	X-CREATE 3-MODULE WALL (PLATINUM 2)	\$ 2,355
XCW-4M-05	X-CREATE 4-MODULE WALL (PLATINUM 2)	\$ 2,955
XCW-5M-05	X-CREATE 5-MODULE WALL (PLATINUM 2)	\$ 3,555
XCW-6M-05	X-CREATE 6-MODULE WALL (PLATINUM 2)	\$ 4,155
XCW-7M-05	X-CREATE 7-MODULE WALL (PLATINUM 2)	\$ 4,755
XCW-8M-05	X-CREATE 8-MODULE WALL (PLATINUM 2)	\$ 5,355
XCW-9M-05	X-CREATE 9-MODULE WALL (PLATINUM 2)	\$ 5,955
XCW-10M-05	X-CREATE 10-MODULE WALL (PLATINUM 2)	\$ 6,555

X-Create Base 2-Sided Center Space Packages

XC2SC-1M-05	X-CREATE 1-MODULE 2-SIDED CENTER (PLATINUM 2)	\$ 1,884
XC2SC-2M-05	X-CREATE 2-MODULE 2-SIDED CENTER (PLATINUM 2)	\$ 2,871
XC2SC-3M-05	X-CREATE 3-MODULE 2-SIDED CENTER (PLATINUM 2)	\$ 3,858
XC2SC-4M-05	X-CREATE 4-MODULE 2-SIDED CENTER (PLATINUM 2)	\$ 4,845
XC2SC-5M-05	X-CREATE 5-MODULE 2-SIDED CENTER (PLATINUM 2)	\$ 5,832
XC2SC-6M-05	X-CREATE 6-MODULE 2-SIDED CENTER (PLATINUM 2)	\$ 6,819
XC2SC-7M-05	X-CREATE 7-MODULE 2-SIDED CENTER (PLATINUM 2)	\$ 7,806
XC2SC-8M-05	X-CREATE 8-MODULE 2-SIDED CENTER (PLATINUM 2)	\$ 8,793
XC2SC-9M-05	X-CREATE 9-MODULE 2-SIDED CENTER (PLATINUM 2)	\$ 9,780
XC2SC-10M-05	X-CREATE 10-MODULE 2-SIDED CENTER (PLATINUM 2)	\$ 10,767

X-Create Base Bridge Space Packages

XCB-2M-13-05	X-CREATE 2 MODULE 13 FT BRIDGE (PLATINUM 2)	\$ 3,880
XCB-2M-15-05	X-CREATE 2 MODULE 15 FT BRIDGE (PLATINUM 2)	\$ 4,210
XCB-2M-17-05	X-CREATE 2 MODULE 17 FT BRIDGE (PLATINUM 2)	\$ 4,730
XCB-2M-19-05	X-CREATE 2 MODULE 19 FT BRIDGE (PLATINUM 2)	\$ 5,060
XCB-2M-21-05	X-CREATE 2 MODULE 21 FT BRIDGE (PLATINUM 2)	\$ 5,390
XCB-2M-23-05	X-CREATE 2 MODULE 23 FT BRIDGE (PLATINUM 2)	\$ 5,910
XCB-2M-25-05	X-CREATE 2 MODULE 25 FT BRIDGE (PLATINUM 2)	\$ 6,240
XCB-2M-27-05	X-CREATE 2 MODULE 27 FT BRIDGE (PLATINUM 2)	\$ 6,570
XCB-2M-29-05	X-CREATE 2 MODULE 29 FT BRIDGE (PLATINUM 2)	\$ 7,090
XCB-2M-31-05	X-CREATE 2 MODULE 31 FT BRIDGE (PLATINUM 2)	\$ 7,420
XCB-2M-33-05	X-CREATE 2 MODULE 33 FT BRIDGE (PLATINUM 2)	\$ 7,750

X-Create Storage Wall Space Packages

XCSW-1M-05	X-CREATE 1 MODULE STORAGE WALL (PLATINUM 2)	\$ 2,765
XCSW-2M-05	X-CREATE 2 MODULE STORAGE WALL (PLATINUM 2)	\$ 4,975
XCSW-3M-05	X-CREATE 3 MODULE STORAGE WALL (PLATINUM 2)	\$ 7,145
XCSW-4M-05	X-CREATE 4 MODULE STORAGE WALL (PLATINUM 2)	\$ 9,315
XCSW-5M-05	X-CREATE 5 MODULE STORAGE WALL (PLATINUM 2)	\$ 11,485

X-Create Storage 2-Sided Center Space Packages

XC2SC-1M-05	X-CREATE 1-MODULE STORAGE 2 SIDED CENTER (PLATINUM 2)	\$ 3,568
-------------	---	----------

All prices are in U.S. dollars effective for Quotes Between November 30, 2018 and March 31, 2019

TORQUE USA

Product	Description	List Price
XCS2SC-2M-05	X-CREATE 2-MODULE STORAGE 2 SIDED CENTER (PLATINUM 2)	\$ 6,239
XCS2SC-3M-05	X-CREATE 3-MODULE STORAGE 2 SIDED CENTER (PLATINUM 2)	\$ 8,796
XCS2SC-4M-05	X-CREATE 4-MODULE STORAGE 2 SIDED CENTER (PLATINUM 2)	\$ 11,353
XCS2SC-5M-05	X-CREATE 5-MODULE STORAGE 2 SIDED CENTER (PLATINUM 2)	\$ 13,910
X-Create Functional Packages		
XCF2SC-5M-X1-05	X-CREATE 5-MODULE FUNCTIONAL TWO-SIDED CENTER X1 PKG (PLATINUM 2)	\$ 12,992
XCF2SC-5M-X2-05	X-CREATE 5-MODULE FUNCTIONAL TWO-SIDED CENTER X2 PKG (PLATINUM 2)	\$ 11,816
XCFB-10M-23-X1-05	X-CREATE 10-MODULE 23 FT FUNCTIONAL BRIDGE - X1PKG (PLATINUM 2)	\$ 33,437
XCFB-6M-19-X1-05	X-CREATE 6-MODULE 19 FT FUNCTIONAL BRIDGE - X1PKG (PLATINUM 2)	\$ 15,517
XCFW-2M-14-X1-05	X-CREATE 2-MODULE X 14 FT (4.3M) FUNCTIONAL WALL X1 PKG (PLATINUM 2)	\$ 5,908
XCFW-4M-X1-05	X-CREATE 4-MODULE FUNCTIONAL WALL X1 - PKG (PLATINUM 2)	\$ 8,766
XCFW-5M-X1-05	X-CREATE 5-MODULE FUNCTIONAL WALL-X1 PKG (PLATINUM 2)	\$ 10,277
X-Create Module Options		
XCREATE-2S8UME-05	2-SIDED 8 FOOT (2.4M) UPRIGHT MODULE EXTENSION (PLATINUM 2)	\$ 987
XCREATE-4AWSM	4 FT (1.2 M) ACCESSORY/WEIGHT STORAGE	\$ 1,372
XCREATE-4BHS-102	4 FT (1.2 M) BALL & HANGING STORAGE	\$ 205
XCREATE-4BTW-101	4 FT (1.2 M) BALL TARGET WALL	\$ 780
XCREATE-4BTWRS-101	4 FT (1.2 M) BALL TARGET WALL REVERSE SIDE	\$ 455
XCREATE-4SB-101	4 FT (1.2 M) STALL BARS	\$ 390
XCREATE-4SM	4 FT (1.2 M) STORAGE MODULE	\$ 1,570
XCREATE-8OLS	8 FOOT (2.4M) OLYMPIC LIFTING STATION	\$ 958
XCREATE-8UME-05	8 FT (2.4 M) UPRIGHT MODULE EXTENSION (PLATINUM 2)	\$ 600
X-Create Attachments		
XERD-101	ENDLESS ROPE DRUM	\$ 1,935
DP-101	DOUBLE PLAY - BOX 1/1	\$ 101
XCREATE-3DS-101	3 DIMENSIONAL SWIVEL	\$ 70
XCREATE-3DSM-101	3 DIMENSIONAL SWIVEL WITH MOUNT	\$ 120
XCREATE-4MGX-101	4 FT (1.2 M) MULTI GRIP CROSS	\$ 160
XCREATE-8UVWS-101	8 FT (2.4 M) UPRIGHT VERTICAL WEIGHT STORAGE (2 PIECES - PAIR)	\$ 575
XCREATE-8UVWS-102	8 FT (2.4 M) UPRIGHT VERTICAL WEIGHT STORAGE (2 PIECES - PAIR)	\$ 599
XCREATE-BHSE-101	BALL AND HANGING STORAGE EXTENSION	\$ 185
XCREATE-BHSE-102	BALL AND HANGING STORAGE EXTENSION	\$ 185
XCREATE-BT-101	BALL TARGET	\$ 210
XCREATE-DA	DIP ATTACHMENT	\$ 650
XCREATE-DP-101	DOUBLE PLAY	\$ 70
XCREATE-HSH-101	HANGING STORAGE HOOK	\$ 74
XCREATE-PSA	PLYO STEP ATTACHMENT	\$ 755
XCREATE-RBA-101-F05C	RESISTANCE BAND ANCHOR	\$ 238
XCREATE-VDS4-101	VERTICAL DUMBBELL STORAGE - 4 PAIR	\$ 185
XHMGRT-101	HORIZONTAL MOUNT GROUND ROTATIONAL TRAINER	\$ 120
XRACK-BRA-101	BATTLE ROPE ANCHOR	\$ 40
XRACK-RCK-101	ROCK CLIMBING KIT (2 PIECES - PAIR)	\$ 70
X-Create Components		
XCREATE-2S8U-101-F05C	2-SIDED 8 FOOT (2.4 M) UPRIGHT (PLATINUM 2)	\$ 897
XCREATE-3DS-101	3 DIMENSIONAL SWIVEL	\$ 70
XCREATE-3DSM-101	3 DIMENSIONAL SWIVEL WITH MOUNT	\$ 120
XCREATE-4AT-101	4 FT (1.2 M) ACCESSORY TRAY	\$ 370
XCREATE-4BHS-102	4 FT (1.2 M) BALL & HANGING STORAGE	\$ 205
XCREATE-4BS-102	4 FT (1.2 M) BALL STORAGE	\$ 90
XCREATE-4BTW-101	4 FT (1.2 M) BALL TARGET WALL	\$ 780
XCREATE-4BTWRS-101	4 FT (1.2 M) BALL TARGET WALL REVERSE SIDE	\$ 455
XCREATE-4FB-101	4 FT (1.2 M) FUNCTIONAL BAR	\$ 70
XCREATE-4MBX-101-F05C	4 FT (1.2 M) MONKEY BAR CROSS, PLATINUM 2	\$ 175
XCREATE-4MGX-101	4 FT (1.2 M) MULTI GRIP CROSS	\$ 160
XCREATE-4SX-101	4 FT (1.2 M) SINGLE CROSS	\$ 45
XCREATE-4SB-101	4 FT (1.2 M) STALL BARS	\$ 390

All prices are in U.S. dollars effective for Quotes Between November 30, 2018 and March 31, 2019



Product	Description	List Price
XCREATE-4SSHWS-101	4 FT (1.2M) SINGLE SIDE HORIZONTAL WEIGHT STORAGE	\$ 172
XCREATE-6FB-101	6 FT (1.8 M) FUNCTIONAL BAR	\$ 90
XCREATE-6MBX-101-F05C	6 FT (1.8 M) MONKEY BAR CROSS, PLATINUM 2	\$ 230
XCREATE-8OLU-101	8 FT (2.4 M) OLYMPIC LIFTING UPRIGHT (2 PIECES - PAIR)	\$ 528
XCREATE-8U-101-F05C	8 FT (2.4 M) UPRIGHT (PLATINUM 2)	\$ 555
XCREATE-8UVWS-101	8 FT (2.4 M) UPRIGHT VERTICAL WEIGHT STORAGE (2 PIECES - PAIR)	\$ 575
XCREATE-BHSE-101	BALL AND HANGING STORAGE EXTENSION	\$ 185
XCREATE-BT-101	BALL TARGET	\$ 210
XRACK-BRA-101	BATTLE ROPE ANCHOR	\$ 40
XDSA-101	DIP STEP ANCHOR (2 pcs - pair)	\$ 180
XCREATE-DP-101	DOUBLE PLAY	\$ 70
DP-101	DOUBLE PLAY - BOX 1/1	\$ 101
XERD-101	ENDLESS ROPE DRUM	\$ 1,935
XCREATE-HSH-101	HANGING STORAGE HOOK	\$ 74
XHMGRT-101	HORIZONTAL MOUNT GROUND ROTATIONAL TRAINER	\$ 120
XCREATE-MBXE-101-F05C	MONKEY BAR CROSS EXTENSION, PLATINUM 2 (2 PIECES-PAIR)	\$ 270
XCREATE-RBA-101-F05C	RESISTANCE BAND ANCHOR	\$ 238
XRACK-RCK-101	ROCK CLIMBING KIT (2 PIECES - PAIR)	\$ 70
XUHK1-101	UNIVERSAL HARDWARE KIT 1	\$ 15
XCREATE-VDS4-101	VERTICAL DUMBBELL STORAGE - 4 PAIR	\$ 185
WSNK10-45-101	WEIGHT STORAGE NUMBERING KIT, 10-45LB	\$ 27
XLAB-AA-101	XLAB ATTACHMENT ANCHOR	\$ 365
XLAB-DA-101	XLAB DIP ATTACHMENT	\$ 285
XLAB-PS-101	XLAB PLYO STEP	\$ 390
XRACK-4MB-101	XRACK, 4' MONKEY BAR	\$ 90
XRACK-6MB-101	XRACK, 6' MONKEY BAR	\$ 100

X-RACK PACKAGES

X-Rack Club Packages

XRMB-4-14-X1	14 X 4 FOOT MONKEY BAR RACK - X1 PACKAGE	\$ 6,420
XRMBWM-4-14-X1	14 X 4 FOOT MONKEY BAR WALL MOUNT RACK - X1	\$ 3,980
XRS-4-14-X1	4 X14 FOOT STORAGE RACK - X1 PACKAGE	\$ 7,639
XRSWM-4-14-X1	14 x 4 FOOT STORAGE WALL MOUNT RACK - X1 PACKAGE	\$ 5,157

X-Rack Athletic Packages

XRS-6-24-A2	24 x 6 STORAGE RACK	\$ 13,306
XRS-8-14-A1	14 X 8 FOOT STORAGE COMBO RACK -A1 PACKAGE	\$ 9,327
XRSWM-4-24-A2	24 x 4 STORAGE WALL MOUNT RACK	\$ 7,688

X-Rack Cable Component Packages

XRMB-4-10-X1	10 X 4 FOOT MONKEY BAR CABLE RACK - X1 PACKAGE	\$ 8,710
XRMB-4-14-X1	14 X 4 FOOT MONKEY BAR CABLE RACK - X1 PACKAGE	\$ 13,860
XRSC-4-14-X1	14 x 4 FOOT STORAGE CABLE RACK - X1 PACKAGE	\$ 14,507
XRSC-4-4-X1	4 x 4 FOOT STORAGE CABLE RACK - X1 PACKAGE	\$ 7,191

X-Rack Base Packages

XRWM-4-4	WALL MOUNT 4' - 4' DEPTH KIT	\$ 875
XRWM-4-10	WALL MOUNT 10' - 4' DEPTH	\$ 1,320
XRWM-4-14	WALL MOUNT 14' - 4' DEPTH	\$ 1,870
XRWM-4-20	WALL MOUNT 20' - 4' DEPTH	\$ 2,315
XRWM-4-24	WALL MOUNT 24' - 4' DEPTH	\$ 2,865
XRWM-4-30	WALL MOUNT 30' - 4' DEPTH	\$ 3,310
XRWM-4-34	WALL MOUNT 34' - 4' DEPTH	\$ 3,860
XRFS-6-4	XRACK 4' FREE STANDING - 6' DEPTH	\$ 1,630
XRFS-6-10	XRACK 10' FREE STANDING - 6' DEPTH KIT	\$ 2,460
XRFS-6-14	XRACK 14' FREE STANDING - 6' DEPTH KIT	\$ 3,500
XRFS-6-20	XRACK 20' FREE STANDING - 6' DEPTH KIT	\$ 4,330
XRFS-6-24	XRACK 24' FREE STANDING - 6' DEPTH	\$ 5,370
XRFS-6-30	XRACK 30' FREE STANDING - 6' DEPTH KIT	\$ 6,200

All prices are in U.S. dollars effective for Quotes Between November 30, 2018 and March 31, 2019



Product	Description	List Price
XRFS-6-34	XRACK 34' FREE STANDING - 6' DEPTH KIT	\$ 7,240
X-Rack Components		
XCREATE-3DSM-101	3 DIMENSIONAL SWIVEL WITH MOUNT	\$ 120
XRACK-3RX-101	3 FT (0.9 M) RECTANGLE CROSS	\$ 125
XRACK-4BCS-101	4 FOOT BAR CATCH STRAPS (2 PCS - PAIR)	\$ 325
XRACK-4NX-101	4' NINJA CROSS	\$ 360
XRACK-8U-102	8' UPRIGHT	\$ 210
XRACK-8U-102-F16	8' UPRIGHT (HIGH WEAR BLUE)	\$ 205
XRACK-8U-102-F13	8' UPRIGHT (HIGH WEAR ORANGE)	\$ 205
XRACK-8U-102-F11	8' UPRIGHT (HIGH WEAR PLATINUM)	\$ 205
XRACK-8U-102-F15	8' UPRIGHT (HIGH WEAR RED)	\$ 205
XRACK-8UVAS-101	8' UPRIGHT VERTICAL ACCESSORY STORAGE	\$ 150
XRACK-8UVWS-101	8' UPRIGHT VERTICAL WEIGHT STORAGE (2 PIECES - PAIR)	\$ 575
XRACK-9UVAS-101	9' UPRIGHT VERTICAL ACCESSORY STORAGE	\$ 155
XRACK-9UVWS-102	9' UPRIGHT VERTICAL WEIGHT STORAGE (2 PIECES - PAIR)	\$ 520
BT-103	BALL TARGET	\$ 260
BC-103	BAR CATCH (2 PIECES - PAIR)	\$ 295
BS-103	BAR SUPPORTS (2 PIECES - PAIR)	\$ 135
XRACK-BRA-101	BATTLE ROPE ANCHOR	\$ 40
XDSA-101	DIP STEP ANCHOR (2 pcs - pair)	\$ 180
DP-101	DOUBLE PLAY - BOX 1/1	\$ 101
XERD-101	ENDLESS ROPE DRUM	\$ 1,935
GRT-102	GROUND ROTATIONAL TRAINER	\$ 150
XCREATE-HSH-101	HANGING STORAGE HOOK	\$ 74
XHMGRT-101	HORIZONTAL MOUNT GROUND ROTATIONAL TRAINER	\$ 120
XRACK-LBPA-101	LOWER BAND PEG ATTACHMENT	\$ 195
XPUS-101	PULL-UP SIDE	\$ 104
XRACK-RCK-101	ROCK CLIMBING KIT (2 PIECES - PAIR)	\$ 70
XSRAAS-101	STORAGE RACK ATTACHMENT ANCHOR SIDES - 2 PIECES (PAIR)	\$ 425
TP-101	TRIPLE PLAY	\$ 90
XUHK1-101	UNIVERSAL HARDWARE KIT 1	\$ 15
UHBM-101	UNIVERSAL HEAVY BAG ANCHOR	\$ 260
XRACK-UBPA-101	UPPER BAND PEG ATTACHMENT	\$ 130
XRACK-UGP-101	UPRIGHT GUSSET PLATE (2 PIECES - PAIR)	\$ 75
XRACK-VBCAS-101	VERTICAL BAR CATCH & ACCESSORY STORAGE	\$ 265
WSNK10-45-101	WEIGHT STORAGE NUMBERING KIT, 10-45LB	\$ 27
XRACK-4FPU-101	XRACK 4' FLYING PULL-UP - BOX 1/1	\$ 410
XRACK-4MBLX-101	XRACK 4' MONKEY BAR LADDER CROSS - BOX 1/1	\$ 150
XRACK-4MGX-101	XRACK 4' MULTI-GRIP CROSS	\$ 150
XRACK-4RX-102	XRACK 4' RECTANGLE CROSS	\$ 125
XRACK-4SX-101	XRACK 4' SINGLE CROSS	\$ 90
XRACK-6AT-102	XRACK 6' ACCESSORY TRAY	\$ 330
XRACK-6HWS-102	XRACK 6' HORIZONTAL WEIGHT STORAGE	\$ 245
XRACK-6MBLX-101	XRACK 6' MONKEY BAR LADDER CROSS - BOX 1/1	\$ 190
XRACK-6RX-102	XRACK 6' RECTANGLE CROSS	\$ 165
XRACK-9UVWS-101	XRACK 9' UPRIGHT VERTICAL WEIGHT STORAGE	\$ 520
XRBOOT-101	XRACK BOOT	\$ 15
XRACK-4DX-101	XRACK, 4' DOUBLE CROSS	\$ 90
XRACK-4MB-101	XRACK, 4' MONKEY BAR	\$ 90
XRACK-4MBX-101	XRACK, 4' MONKEY BAR CROSS	\$ 115
XRACK-4TX-101	XRACK, 4' TRIPLE CROSS	\$ 185
XRACK-6DX-101	XRACK, 6' DOUBLE CROSS	\$ 120
XRACK-6MB-101	XRACK, 6' MONKEY BAR	\$ 100
XRACK-6MBX-101	XRACK, 6' MONKEY BAR CROSS	\$ 170
XRACK-6SX-101	XRACK, 6' SINGLE CROSS	\$ 105
XRACK-6TX-101	XRACK, 6' TRIPLE CROSS	\$ 250

All prices are in U.S. dollars effective for Quotes Between November 30, 2018 and March 31, 2019



Product	Description	List Price
XRACK-12U-102	XRACK-12' UPRIGHT	\$ 260
XRACK-3UE-101	XRACK-3' UPRIGHT EXTENSION (QTY 2)	\$ 230
XRACK-6UE-101	XRACK-6' UPRIGHT EXTENSION	\$ 315
XRACK-9U-102	XRACK-9' UPRIGHT - BOX 1/1	\$ 235
XRACK-9U-103-F16	XRACK-9' UPRIGHT (HIGH WEAR BLUE)	\$ 235
XRACK-9U-103-F13	XRACK-9' UPRIGHT (HIGH WEAR ORANGE)	\$ 235
XRACK-9U-103-F11	XRACK-9' UPRIGHT (HIGH WEAR PLATINUM)	\$ 235
XRACK-9U-103-F15	XRACK-9' UPRIGHT (HIGH WEAR RED)	\$ 235

X-RACK & X-SIEGE PLATFORMS & INSERTS

SLPI-4R	PLATFORM AND INSERT - 4' RACK	\$ 1,435
SLPI-4WMR	PLATFORM AND INSERT - 4 FOOT DEPTH WALL MOUNT RACK	\$ 825
SLPI-6R	SHOK-LOK PLATFORM X2 AND INSERT - 6' 2- SIDED RACK	\$ 1,615
SLPI-6WMR	PLATFORM AND INSERT - 6' WALL MOUNT RACK	\$ 1,005

X-SIEGE PACKAGES

X-Siege Packages		
XSS-4-4-X1	4 x 4 FOOT SIEGE STORAGE RACK - X1 PACKAGE	\$ 3,870
XSSC-4-4-X1	4 X 4 FOOT SIEGE STORAGE CABLE RACK - X1 PACKAGE	\$ 7,425
XSS-4-24-X1	24 X 4 FOOT SIEGE STORAGE RACK - X1 PACKAGE	\$ 12,270
XSS-6-4-X1	4 X 6 FOOT SIEGE STORAGE RACK - X1 PACKAGE	\$ 4,870
XSS-6-24-X1	24 X 6 FOOT SIEGE STORAGE RACK - X1 PACKAGE	\$ 15,270
XSS-10-4-X1	4 X 10 FOOT SIEGE STORAGE COMBINATION RACK - X1 PACKAGE	\$ 5,890
XSS-10-24-X1	24 X 10 FOOT SIEGE STORAGE COMBINATION RACK - X1 PACKAGE	\$ 18,390

X-Siege Components

XCREATE-3DSM-101	3 DIMENSIONAL SWIVEL WITH MOUNT	\$ 120
XRACK-3RX-101	3 FT (0.9 M) RECTANGLE CROSS	\$ 125
XRACK-4BCS-101	4 FOOT BAR CATCH STRAPS (2 PCS - PAIR)	\$ 325
XSIEGE-4LFS-101	4' LOWER FRAME SUPPORT	\$ 345
XRACK-4NX-101	4' NINJA CROSS	\$ 360
XSIEGE-6LFS-101	6' LOWER FRAME SUPPORT	\$ 425
XRACK-8U-102	8' UPRIGHT	\$ 210
XRACK-8U-102-F16	8' UPRIGHT (HIGH WEAR BLUE)	\$ 205
XRACK-8U-102-F13	8' UPRIGHT (HIGH WEAR ORANGE)	\$ 205
XRACK-8U-102-F11	8' UPRIGHT (HIGH WEAR PLATINUM)	\$ 205
XRACK-8U-102-F15	8' UPRIGHT (HIGH WEAR RED)	\$ 205
XSIEGE-8UVWS-101	8' UPRIGHT VERTICAL WEIGHT STORAGE (2 PCS - PAIR)	\$ 545
XSIEGE-9UVWS-101	9' UPRIGHT VERTICAL WEIGHT STORAGE (2 PIECES - -PAIR)	\$ 575
BT-103	BALL TARGET	\$ 260
BC-103	BAR CATCH (2 PIECES - PAIR)	\$ 295
BS-103	BAR SUPPORTS (2 PIECES - PAIR)	\$ 135
XRACK-BRA-101	BATTLE ROPE ANCHOR	\$ 40
XDSA-101	DIP STEP ANCHOR (2 pcs - pair)	\$ 180
XERD-101	ENDLESS ROPE DRUM	\$ 1,935
XCREATE-HSH-101	HANGING STORAGE HOOK	\$ 74
XHMGRT-101	HORIZONTAL MOUNT GROUND ROTATIONAL TRAINER	\$ 120
XRACK-LBPA-101	LOWER BAND PEG ATTACHMENT	\$ 195
XPUS-101	PULL-UP SIDE	\$ 104
XRACK-RCK-101	ROCK CLIMBING KIT (2 PIECES - PAIR)	\$ 70
XUHK1-101	UNIVERSAL HARDWARE KIT 1	\$ 15
UHBM-101	UNIVERSAL HEAVY BAG ANCHOR	\$ 260
XRACK-UBPA-101	UPPER BAND PEG ATTACHMENT	\$ 130
XRACK-UGP-101	UPRIGHT GUSSET PLATE (2 PIECES - PAIR)	\$ 75
XRACK-VBCAS-101	VERTICAL BAR CATCH & ACCESSORY STORAGE	\$ 265
WSNK10-45-101	WEIGHT STORAGE NUMBERING KIT, 10-45LB	\$ 27

All prices are in U.S. dollars effective for Quotes Between November 30, 2018 and March 31, 2019



Product	Description	List Price
XRACK-4FPU-101	XRACK 4' FLYING PULL-UP - BOX 1/1	\$ 410
XRACK-4MBLX-101	XRACK 4' MONKEY BAR LADDER CROSS - BOX 1/1	\$ 150
XRACK-4MGX-101	XRACK 4' MULTI-GRIP CROSS	\$ 150
XRACK-4RX-102	XRACK 4' RECTANGLE CROSS	\$ 125
XRACK-4SX-101	XRACK 4' SINGLE CROSS	\$ 90
XRACK-6AT-102	XRACK 6' ACCESSORY TRAY	\$ 330
XRACK-6HWS-102	XRACK 6' HORIZONTAL WEIGHT STORAGE	\$ 245
XRACK-6MBLX-101	XRACK 6' MONKEY BAR LADDER CROSS - BOX 1/1	\$ 190
XRACK-6RX-102	XRACK 6' RECTANGLE CROSS	\$ 165
XRBOOT-101	XRACK BOOT	\$ 15
XRACK-4DX-101	XRACK, 4' DOUBLE CROSS	\$ 90
XRACK-4MB-101	XRACK, 4' MONKEY BAR	\$ 90
XRACK-4MBX-101	XRACK, 4' MONKEY BAR CROSS	\$ 115
XRACK-4TX-101	XRACK, 4' TRIPLE CROSS	\$ 185
XRACK-6DX-101	XRACK, 6' DOUBLE CROSS	\$ 120
XRACK-6MB-101	XRACK, 6' MONKEY BAR	\$ 100
XRACK-6MBX-101	XRACK, 6' MONKEY BAR CROSS	\$ 170
XRACK-6SX-101	XRACK, 6' SINGLE CROSS	\$ 105
XRACK-6TX-101	XRACK, 6' TRIPLE CROSS	\$ 250
XRACK-9U-102	XRACK-9' UPRIGHT - BOX 1/1	\$ 235
XRACK-9U-103-F16	XRACK-9' UPRIGHT (HIGH WEAR BLUE)	\$ 235
XRACK-9U-103-F13	XRACK-9' UPRIGHT (HIGH WEAR ORANGE)	\$ 235
XRACK-9U-103-F11	XRACK-9' UPRIGHT (HIGH WEAR PLATINUM)	\$ 235
XRACK-9U-103-F15	XRACK-9' UPRIGHT (HIGH WEAR RED)	\$ 235

X-CAGE PACKAGES

XA-8MGX-X1	8 FT ARSENAL W/ MULTIGRIP CROSS X1 PACKAGE	\$ 2,305
X6SS	6 FT SQUAT STAND	\$ 905
XA-7SX	7 FT ARSENAL W/ SINGLE CROSS KIT	\$ 1,005
XA-8MGX	8 FT ARSENAL W/ MULTI GRIP CROSS KIT	\$ 1,135
XARM-8MGX	8' ARMAMENT W MULTI GRIP CROSS	\$ 4,060
XARM-8MGX-X1	8 FT ARMAMENT W/ MULTIGRIP CROSS X1 PACKAGE	\$ 5,470
XHC-04-F01	HALF CAGE	\$ 1,950
XHC-X1	Half Cage- X1 Package	\$ 2,395
XPC-04-F01	POWER CAGE KIT	\$ 2,390
XPC-X1	POWER CAGE - X1 PACKAGE	\$ 3,105
XTHC	TRIPLE HALF CAGE	\$ 6,060
XTHC-X1	TRIPLE HALF CAGE - X1 PACKAGE	\$ 11,245

X-Cage Components

BT-103	BALL TARGET	\$ 260
BC-103	BAR CATCH (2 PIECES - PAIR)	\$ 295
BS-103	BAR SUPPORTS (2 PIECES - PAIR)	\$ 135
XDSA-101	DIP STEP ANCHOR (2 pcs - pair)	\$ 180
XERD-101	ENDLESS ROPE DRUM	\$ 1,935
GRT-102	GROUND ROTATIONAL TRAINER	\$ 150
XHCGRT-101	HALF CAGE GROUND ROTATIONAL TRAINER	\$ 185
RBA-101-F02	RESISTANCE BAND ANCHOR - WHITE FRAME BOX 1/1	\$ 305
XRACK-RCK-101	ROCK CLIMBING KIT (2 PIECES - PAIR)	\$ 70
XUHK1-101	UNIVERSAL HARDWARE KIT 1	\$ 15
UHBM-101	UNIVERSAL HEAVY BAG ANCHOR	\$ 260
WSNK10-45-101	WEIGHT STORAGE NUMBERING KIT, 10-45LB	\$ 27
XRACK-6RX-102	XRACK 6' RECTANGLE CROSS	\$ 165
XRACK-6DX-101	XRACK, 6' DOUBLE CROSS	\$ 120
XRACK-6MBX-101	XRACK, 6' MONKEY BAR CROSS	\$ 170
XRACK-6SX-101	XRACK, 6' SINGLE CROSS	\$ 105
XRACK-6TX-101	XRACK, 6' TRIPLE CROSS	\$ 250

All prices are in U.S. dollars effective for Quotes Between November 30, 2018 and March 31, 2019



Product	Description	List Price
X-CAGE PLATFORMS & INSERTS		
SLPI-HC	PLATFORM AND INSERT - HALF CAGE	\$ 810
SLPI-PC	PLATFORM AND INSERT - POWER CAGE	\$ 990
X-SERIES TRAINING STATIONS & BENCHES		
SLEM-4X8	EQUIPMENT MAT - 4 X 8 FEET (2 pieces)	\$ 308
XAAB-101	ADJUSTABLE AB BENCH - BOX 1/1	\$ 805
XBEB-101	BACK EXTENSION BENCH - BOX 1/1	\$ 884
XFIB-104	FLAT- INCLINE BENCH - BOX 1/1	\$ 577
XBRAP-101	BATTLE ROPE ANCHOR POLE	\$ 210
XCCS-01-F01C	CABLE COMPONENT STATION	\$ 2,100
XDSA-101	DIP STEP ANCHOR (2 pcs - pair)	\$ 180
XGHD-01	GLUTE HAM DEVELOPER	\$ 1,350
XPLLP-001	PLATE LOADED LEG PRESS KIT	\$ 2,900
XPP-12	PLYOPROTECT, 12 IN (30CM)	\$ 155
XPP-18	PLYOPROTECT, 18 IN (46 CM)	\$ 210
XTPI-20-24-30	TRIPLEPLYO, 20-24-30 INTERNATIONAL	\$ 500
XPSI-06	PLYOSTACK, 6 IN (15 CM) INTERNATIONAL	\$ 175
XPSI-12	PLYOSTACK, 12 IN (30 CM) INTERNATIONAL	\$ 265
XPSI-20	PLYOSTACK, 20 IN (51 CM) INTERNATIONAL	\$ 380
XPSI-24	PLYOSTACK, 24 IN (61 CM) INTERNATIONAL	\$ 440
XPSS-6-24-103	PLYOSTACK SET, 6-24 INTERNATIONAL (4 PCS)	\$ 1,260
XPSSI-6-24	PLYOSTACK SET, 6-24 INTERNATIONAL (4 PCS)	\$ 1,260
XWMPU-4-101	WALL MOUNT PULL-UP 4'	\$ 228
XWMPU-8-101	WALL MOUNT PULL UP 8'	\$ 399
XWMPU-12-101	WALL MOUNT PULL-UP 12'	\$ 570
X-SERIES STORAGE STATIONS		
TNADBR	TORQUE NEOPRENE AEROBIC DUMBBELL RACK	\$ 510
X6CSDPR	6 FOOT COMBINATION STORAGE/DIP/PLYO RACK	\$ 2,005
X6CSR	6 FOOT COMBINATION STORAGE RACK	\$ 1,206
X6HWS DPR	6 FOOT HORIZONTAL WEIGHT STORAGE/DIP/PLYO RACK	\$ 1,835
X6HWSR	6 FOOT HORIZONTAL WEIGHT STORAGE RACK	\$ 1,036
X6USDPR	6 FOOT UNIVERSAL STORAGE/DIP/PLYO RACK	\$ 2,090
X6USR	6 FOOT UNIVERSAL STORAGE RACK	\$ 1,291
XBR-101	BARBELL RACK - BOX 1/1	\$ 720
XOPT-101	OLYMPIC PLATE TREE - BOX 1/1	\$ 370
XTTDR-01	TWO TIER DUMBBELL RACK KIT	\$ 780
XVASR-101	VERTICAL ACCESSORY STORAGE RACK - BOX 1/1	\$ 330
XVDR8-101	VERTICAL DUMBBELL RACK - 8 PAIR	\$ 584
TANK		
XTTM2-SH-102	TANK M2, STANDARD HANDLES	\$ 1,650
XTTM2GT-SH-102	TANK M2 GROUP TRAINER, STANDARD HANDLES	\$ 2,150
XTTM4-PH-102	TANK M4, PERFORMANCE HANDLES	\$ 2,150
XTTM4GT-PH-102	TANK M4 GROUP TRAINER, PERFORMANCE HANDLES	\$ 2,750
XTT1C-101	COVER, TANK TOP	\$ 105
XT270TK	TANK 270LB TRACTION KIT	\$ 576
XTBK-101	TANK BUMPER KIT - QTY 4	\$ 85
XTGAK-103	TANK GROUP ACCESSORY KIT	\$ 550
XTLK	TANK LOCKING KIT (QTY 2 CABLES)	\$ 35
XTPHK2-101	TANK PERFORMANCE HANDLE KIT - 2 PAIRS	\$ 275
XTTK-103	TANK STRAP/HARNESS TOW KIT	\$ 140
XGAS-101	GROUP ANCHOR STATION	\$ 325

All prices are in U.S. dollars effective for Quotes Between November 30, 2018 and March 31, 2019

TORQUE USA

Product	Description	List Price
XTTR-1.5-30	TANK TOW ROPE, 1.5 IN X 30 FT (38MM X 9.1M)	\$ 155
XGASBRP4	GROUP ANCHOR STATION BATTLE ROPE PACKAGE (4 ROPES)	\$ 1,065
XTWHK-102	TANK WEIGHT HORN KIT (2 PIECES - PAIR)	\$ 42

M-SERIES SELECTORIZED (call for lead times)

MAB-04-V01-F01	ABDOMINAL KIT - SILVER	\$ 3,100
MACD-04-F01	ASSIST CHIN-DIP KIT SILVER	\$ 3,135
MBC-04-V01-F01	BICEPS CURL KIT - BLK PADS/SILVER FRAME	\$ 3,100
MBE-03-V01-F01	Back Extension Kit - Silver - Rev 3	\$ 3,100
MCP-04-V01-F01	CHEST PRESS KIT - SILVER	\$ 3,100
MDAP-04-F01	DUAL ADJUSTABLE PULLEY KIT	\$ 4,800
MG-04-V01-F01	GLUTE KIT - SILVER	\$ 3,100
MHAA-04-V01-F01	HIP AB/ADD KIT - BLK PADS/SILVER FRAME	\$ 3,200
MLE-04-V01-F01	LEG EXTENSION KIT - SILVER	\$ 3,100
MLP-04-V01-F01	LEG PRESS KIT - SILVER	\$ 4,100
MLPD-04-V01-F01	LAT PULL DOWN KIT - SILVER	\$ 3,100
MPFRD-04-V01-F01	PEC FLY REAR DELT KIT - SILVER	\$ 3,200
MPLC-04-V01-F01	PRONE LEG CURL - KIT	\$ 3,200
MSC-01-V01-F01	STANDING CALF RAISE KIT - BLK PADS/SILVER FRAME	\$ 3,100
MSLC-04-V01-F01	SEATED LEG CURL KIT - SILVER	\$ 3,100
MSP-04-V01-F01	SHOULDER PRESS KIT - SILVER	\$ 3,100
MSR-04-V01-F01	SEATED ROW KIT - SILVER	\$ 3,100
MTP-04-V01-F01	TRICEPS PRESS KIT - BLK PADS/SILVER FRAME	\$ 3,100

X-SERIES ACCESSORY PACKAGES

TRX		
XTRX-3-2	X-SERIES TRX PACKAGE - 3 SUSPENSION/2RIPP	\$ 1,010
XTRX-4-2	X-SERIES TRX PACKAGE - 4 SUSPENSION/2 RIPP	\$ 1,220
Lifting Station Accessory Packages		
BPSCP15	BUMPER PLATE STATION COLORED PACKAGE - 15 KG	\$ 995
BPSCP20	BUMPER PLATE STATION COLORED PACKAGE - 20 KG	\$ 1,021
BPSP15	BUMPER PLATE STATION PACKAGE - 15KG BAR	\$ 859
BPSP20	BUMPER PLATE STATION PACKAGE - 20 KG BAR	\$ 885
GPSP6	GRIP PLATE STATION PACKAGE - 6 FOOT BAR	\$ 774
GPSP7	GRIP PLATE STATION PACKAGE - 7 FOOT BAR	\$ 833
Functional Accessory Packages		
TNADBS-616	TORQUE NEOPRENE AEROBIC DUMBBELL SET - 616 LBS	\$ 1,144
TNADBSRP-616	TORQUE NEOPRENE AEROBIC DUMBBELL SET AND RACK PACKAGE - 616LBS	\$ 1,654
X4KBPI	4 FOOT (1.2M) KETTLEBELL PACKAGE INTERNATIONAL	\$ 1,082
X4MBPI	4 FOOT (1.2M) MEDICINE BALL PACKAGE INTERNATIONAL	\$ 251
X4SBP1I	4 FOOT (1.2M) SLAM BALL PACKAGE 1 INTERNATIONAL	\$ 170
X4SBP2I	4 FOOT (1.2M) SLAM BALL PACKAGE 2 INTERNATIONAL	\$ 267
X4TBPI	4 FOOT (1.2M) TORPEDO BAG PACKAGE INTERNATIONAL	\$ 650
X4WBP1I	4 FOOT (1.2M) WALL BALL PACKAGE 1 INTERNATIONAL	\$ 274
X6ATKBPI	6 FOOT (1.8 M) AT KETTLEBELL PACKAGE INTERNATIONAL	\$ 1,434
X6ATMBPI	6 FOOT (1.8 M) AT MEDICINE BALL PACKAGE INTERNATIONAL	\$ 251
X6ATSBP1	6 FOOT (1.8 M) AT SLAM BALL PACKAGE INTERNATIONAL	\$ 437
X6ATWBP1	6 FOOT (1.8 M) AT WALL BALL PACKAGE INTERNATIONAL	\$ 480
XBHSEAPI	BALL & HANGING STORAGE EXTENSION ACCESSORY PACKAGE INTERNATIONAL	\$ 434
XC-3MAP	X-CREATE 3-MODULE ACCESSORY PACKAGE	\$ 6,852
XC-3MAP-02	X-CREATE 3-MODULE ACCESSORY PACKAGE	\$ 6,852
XC-5MAP	X-CREATE 5-MODULE ACCESSORY PACKAGE	\$ 10,357
XC-5MAP-02	X-CREATE 5-MODULE ACCESSORY PACKAGE	\$ 10,357
XLAB-AP1I	X-LAB ACCESSORY PACKAGE 1 INTERNATIONAL	\$ 2,725

Barbell Packages

All prices are in U.S. dollars effective for Quotes Between November 30, 2018 and March 31, 2019



Product	Description	List Price
TPSREZB-20-110	TORQUE RUBBER PRO-STYLE CURL BARBELL SET - 10 CURLS BARS (20-110 LBS IN 10LB IMCREMENTS)	\$ 2,093
TPSRB-20-110	TORQUE RUBBER PRO-STYLE BARBELL SET - 10 BARS (20-110 LBS IN 10LB INCREMENTS)	\$ 1,710
Dumbbell Packages		
TPSRD-5-50	5-50 LB TORQUE RUBBER PRO-STYLE DUMBBELL SET (10 PAIR)	\$ 1,334
TPSRD-5-100	5-100 LB TORQUE RUBBER PRO-STYLE DUMBBELL SET (20 PAIR)	\$ 5,100

INDIVIDUAL ACCESSORIES

Weight Plates		
BPTBR-10	BUMPER PLATE, TORQUE BLACK RUBBER - 10 LB (ALPHA PLATE)	\$ 41
BPTBR-25	BUMPER PLATE, TORQUE BLACK RUBBER - 25 LB	\$ 53
BPTBR-35	BUMPER PLATE, TORQUE BLACK RUBBER - 35LB	\$ 71
BPTBR-45	BUMPER PLATE, TORQUE BLACK RUBBER - 45 LB	\$ 86
Z4GP2.5	2.5 lb RUBBER ENCASED GRIP PLATE W/STAINLESS CENTER HUB - NO LOGO	\$ 6
Z4GP5	5LB RUBBER ENCASED GRIP PLATE W/STAINLESS STEEL CENTER HUB - NO LOGO	\$ 10
Z4GP10	10LB RUBBER ENCASED GRIP PLATE W/STAINLESS STEEL CENTER HUB - NO LOGO	\$ 21
Z4GP25	25LB RUBBER ENCASED GRIP PLATE W/STAINLESS STEEL CENTER HUB - NO LOGO	\$ 53
Z4GP45	45LB RUBBER ENCASED GRIP PLATE W/STAINLESS STEEL CENTER HUB - NO LOGO	\$ 96
BPTCR-25	BUMPER PLATE, TORQUE COLORED RUBBER - 25 LB (GREEN)	\$ 68
BPTCR-35	BUMPER PLATE, TORQUE COLORED RUBBER - 35 LB (YELLOW)	\$ 95
BPTCR-45	BUMPER PLATE, TORQUE COLORED RUBBER - 45 LB (BLUE)	\$ 115
Bars & Collars		
OEZC	OLYMPIC BAR - 4 FOOT EZ CURL 28 MM	\$ 173
O5B	OLYMPIC BAR, 5 FOOT STANDARD 32 MM	\$ 154
O6B	OLYMPIC BAR, 6 FOOT STANDARD 32 MM	\$ 190
O7B	OLYMPIC BAR, 7 FOOT STANDARD 32 MM	\$ 249
O7HB	OLYMPIC BAR, 7 FOOT HEX	\$ 297
SC2	INT'L SPRING COLLAR FOR OLYMPIC BARS - 50MM SLEEVE - PAIR	\$ 20
O6XIB	OLYMPIC BAR, 15 KG X-SERIES INTERNATIONAL 25.0 MM	\$ 298
O7XIB	OLYMPIC BAR, 20 KG X-SERIES INTERNATIONAL 28.5 MM	\$ 324
PR2-BLK	LOCK-JAW PRO 2 Barbell Collar - Black (PAIR) (SHIPS FROM USA)	\$ 59
Dumbbells - Hexagon		
DBRH-5LB/2.3KG	DUMBBELL, RUBBER HEXAGON - 5 LB/2.3 KG	\$ 10
DBRH-10LB/4.5KG	DUMBBELL, RUBBER HEXAGON - 10 LB/4.5 KG	\$ 20
DBRH-15LB/6.8KG	DUMBBELL, RUBBER HEXAGON - 15 LB/6.8 KG	\$ 30
DBRH-20LB/9.1KG	DUMBBELL, RUBBER HEXAGON - 20 LB/9.1 KG	\$ 40
DBRH-25LB/11.3KG	DUMBBELL, RUBBER HEXAGON - 25 LB/11.3 KG	\$ 50
DBRH-30LB/13.6KG	DUMBBELL, RUBBER HEXAGON - 30 LB/13.6 KG	\$ 60
DBRH-35LB/15.9KG	DUMBBELL, RUBBER HEXAGON - 35 LB/15.9 KG	\$ 70
DBRH-40LB/18.1KG	DUMBBELL, RUBBER HEXAGON - 40 LB/18.1 KG	\$ 80
DBRH-45LB/20.4KG	DUMBBELL, RUBBER HEXAGON - 45 LB/20.4 KG	\$ 90
DBRH-50LB/22.7KG	DUMBBELL, RUBBER HEXAGON - 50 LB/22.7 KG	\$ 100
DBRH-55LB/24.9KG	DUMBBELL, RUBBER HEXAGON - 55 LB/24.9 KG	\$ 110
DBRH-60LB/27.2KG	DUMBBELL, RUBBER HEXAGON - 60 LB/27.2 KG	\$ 120
DBRH-65LB/29.5KG	DUMBBELL, RUBBER HEXAGON - 65 LB/29.5 KG	\$ 130
DBRH-70LB/31.8KG	DUMBBELL, RUBBER HEXAGON - 70 LB/31.8 KG	\$ 140
DBRH-75LB/34.0KG	DUMBBELL, RUBBER HEXAGON - 75 LB/34.0 KG	\$ 150
DBRH-80LB/36.3KG	DUMBBELL, RUBBER HEXAGON - 80 LB/36.3 KG	\$ 160
DBRH-85LB/38.6KG	DUMBBELL, RUBBER HEXAGON - 85 LB/38.6 KG	\$ 170
DBRH-90LB/40.8KG	DUMBBELL, RUBBER HEXAGON - 90 LB/40.8 KG	\$ 180
DBRH-95LB/43.1KG	DUMBBELL, RUBBER HEXAGON - 95 LB/43.1 KG	\$ 190
DBRH-100LB/45.4KG	DUMBBELL, RUBBER HEXAGON - 100 LB/45.4 KG	\$ 200
Kettlebells		
KBTC-4KG/9LB	KETTLEBELL, TORQUE CAST IRON - 4 KG/8.8LB	\$ 20
KBTC-8KG/18LB	KETTLEBELL, TORQUE CAST IRON - 8 KG/17.6 LB	\$ 41
KBTC-12KG/26LB	KETTLEBELL, TORQUE CAST IRON - 12 KG/26.4 LB	\$ 62
KBTC-16KG/35LB	KETTLEBELL, TORQUE CAST IRON - 16KG/35.2 LB	\$ 82

All prices are in U.S. dollars effective for Quotes Between November 30, 2018 and March 31, 2019

TORQUE USA

Product	Description	List Price
KBTC-20KG/44LB	KETTLEBELL, TORQUE CAST IRON - 20 KG/44.1 LB	\$ 103
KBTC-24KG/53LB	KETTLEBELL, TORQUE CAST IRON - 24 KG/52.9 LB	\$ 117
KBTC-28KG/62LB	KETTLEBELL, TORQUE CAST IRON - 28 KG/61.7 LB	\$ 136
KBTC-32KG/70LB	KETTLEBELL, TORQUE CAST IRON - 32 KG/70.5 LB	\$ 156
KBTC-36KG/80LB	KETTLEBELL, TORQUE CAST IRON - 36 KG/80 LB	\$ 175
KBTC-40KG/88LB	KETTLEBELL, TORQUE CAST IRON - 40 KG/88 LB	\$ 195
Balls		
MBT-4LB/1.8KG	MEDICINE BALL, 4 LB/1.8 KG TORQUE	\$ 38
MBT-6LB/2.7KG	MEDICINE BALL, 6 LB/2.7 KG TORQUE	\$ 45
MBT-8LB/3.6KG	MEDICINE BALL, 8 LB/3.6 KG TORQUE	\$ 51
MBT-10LB/4.5KG	MEDICINE BALL, 10 LB/4.5 KG TORQUE	\$ 55
MBT-12LB/5.5KG	MEDICINE BALL, 12 LB/5.5 KG TORQUE	\$ 62
SBT-10LB/4.5KG	SLAM BALL, 10 LB/4.5 KG TORQUE	\$ 35
SBT-15LB/6.8KG	SLAM BALL, 15 LB/6.8 KG TORQUE	\$ 40
SBT-20LB/9.1KG	SLAM BALL, 20 LB/9.1 KG TORQUE	\$ 45
SBT-25LB/11.4KG	SLAM BALL, 25 LB/11.4 KG TORQUE	\$ 50
SBT-30LB/13.6KG	SLAM BALL, 30 LB/13.6 KG TORQUE	\$ 55
SBT-35LB/15.9KG	SLAM BALL, 35 LB/15.9 KG TORQUE	\$ 62
SBT-40LB/18.2KG	SLAM BALL, 40 LB/18.2 KG TORQUE	\$ 70
SBT-45LB/20.5KG	SLAM BALL, 45 LB/20.5 KG TORQUE	\$ 80
WBT-6LB/2.7KG	WALL BALL, 6 LB/2.7 KG TORQUE	\$ 76
WBT-8LB/3.6KG	WALL BALL, 8 LB/3.6 KG TORQUE	\$ 78
WBT-10LB/4.5KG	WALL BALL, 10 LB/4.5 KG TORQUE	\$ 82
WBT-12LB/5.5KG	WALL BALL, 12 LB/5.5 KG TORQUE	\$ 88
WBT-14LB/6.4KG	WALL BALL, 14 LB/6.4 KG TORQUE	\$ 92
WBT-16LB/7.3KG	WALL BALL, 16 LB/7.3 KG TORQUE	\$ 96
WBT-18LB/8.2KG	WALL BALL, 18 LB/8.2 KG TORQUE	\$ 100
WBT-20LB/9.1KG	WALL BALL, 20 LB/9.1 KG TORQUE	\$ 104
LMBT	LACROSSE MOBILITY BALL, TORQUE	\$ 6
Resistance Bands & Tubes		
TSLB-1	5-35 LBS 41' TORQUE STRENGTH LOOP BAND #1 1/2'w X 4.5MM (RED)	\$ 14
TSLB-2	10-60 LBS 41' TORQUE STRENGTH LOOP BAND #2 - 13/16"W X 4.5MM (PURPLE)	\$ 21
TSLB-3	25-80 LBS 41' TORQUE STRENGTH LOOP BAND #3 - 1 1/8"W X 4.5MM (GREEN)	\$ 29
TSLB-4	50-120 LBS 41' TORQUE STRENGTH LOOP BAND #4 - 1 3/4"W X 4.5MM (BLUE)	\$ 35
PT-LIGHT	LIGHT TORQUE POWER TUBE - DOUBLE HANDLES.NYLON COVERED (YELLOW))	\$ 18
PT-MEDIUM	MEDIUM TORQUE POWER TUBE - DOUBLE HANDLES.NYLON COVERED (ORANGE)	\$ 19
PT-HEAVY	HEAVY TORQUE POWER TUBE - DOUBLE HANDLES.NYLON COVERED (BLUE)	\$ 20
PT-XHEAVY	X-HEAVY TORQUE POWER TUBE - DOUBLE HANDLES.NYLON COVERED (PURPLE)	\$ 21
Other Functional Training Accessories		
TBR-CN30	TORQUE BATTLE ROPE, NYLON COVER 1.5 INCHES (38.1 MM) X 30 FT (9.1 M)	\$ 185
TBR-CN50	TORQUE BATTLE ROPE, NYLON COVER 1.5 INCHES (38.1 MM) X 50 FT (15.2 M)	\$ 215
HMT-24-72	HANGING MAT, TORQUE 59 X 72 X 24 IN (15 X 1830 X 610 MM)	\$ 32
HBT-100LB-45.4KG	HEAVY BAG, TORQUE 100 LB (45.4 KG)	\$ 518
RHDFT-6-36	ROLLER, HIGH DENSITY FOAM TORQUE - 6 X 36 INCHES	\$ 32
SBTP-55	STABILITY BALL, 55 CM TORQUE PRO- SILVER	\$ 16
SBTP-65	STABILITY BALL, 65 CM TORQUE PRO - BLACK	\$ 19
TSSH-101	STRAP HANDLE, SHORT (PAIR) - TF LOGO	\$ 23
TSSH-102	STRAP HANDLES, TORQUE SHORT (PAIR)	\$ 40
PDT-1	TIMER, PROGRAMMABLE DIGITAL	\$ 375
CBT-10	TORPEDO BAG, TORQUE 10 LB (4.5 KG)	\$ 140
CBT-20	TORPEDO BAG, TORQUE 20 LB (9.1 KG)	\$ 155
CBT-30	TORPEDO BAG, TORQUE 30 LB (13.6 KG)	\$ 170
CBT-40	TORPEDO BAG, TORQUE 40 LB (18.1 KG)	\$ 185
CBT-50	TORPEDO BAG, TORQUE 50 LB (22.7 KG)	\$ 210
FM-601-GLOV16	TRAINING GLOVES, FM - 16 OZ ITEM#2618	\$ 65
CS	CORE SLIDES (QUANTITY 2)	\$ 20

All prices are in U.S. dollars effective for Quotes Between November 30, 2018 and March 31, 2019

TORQUE USA

Product	Description	List Price
LPW	POWER WHEEL, LIFELINE	\$ 75
SS-4	STEP, STACKABLE - 4 INCH	\$ 29
SS-6	STEP, STACKABLE - 6 INCH	\$ 38
TRQ-Straps-Blue	Blue Torque Fitness CrankIt ProStrap	\$ 225
TRXCLUB4	COMMERCIAL SUSPENSION TRAINER C4, SINGLE UNIT	\$ 210
TRXRIP1-PACK	TRX RIPP TRAINER BASIC KIT (STANDARD WITH MEDIUM RESISTANCE CORD)	\$ 190
RESIDENTIAL / VERTICAL SYSTEMS		
F9-002-150LB	F9 STRENGTH TRAINER	\$ 2,678
FFIB-101	FLAT-INCLINE BENCH FOR F9	\$ 411



X-CAGE PACKAGES

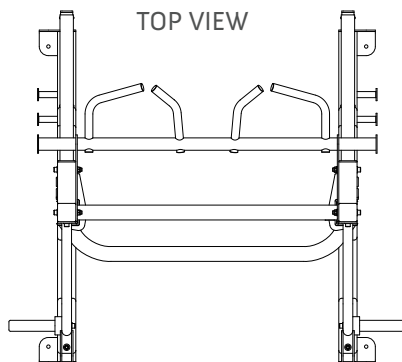
WWW.TORQUEFITNESS.COM



HALF CAGE



Model number	XHC
Footprint	59.9" x 64.1" (152 cm x 163 cm)
Height	Frame: 95.2" (242 cm)
Warranty	10 year frame and welds/1 year parts/90 days misc.

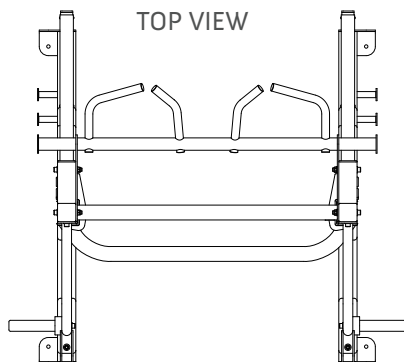




HALF CAGE X1 PACKAGE

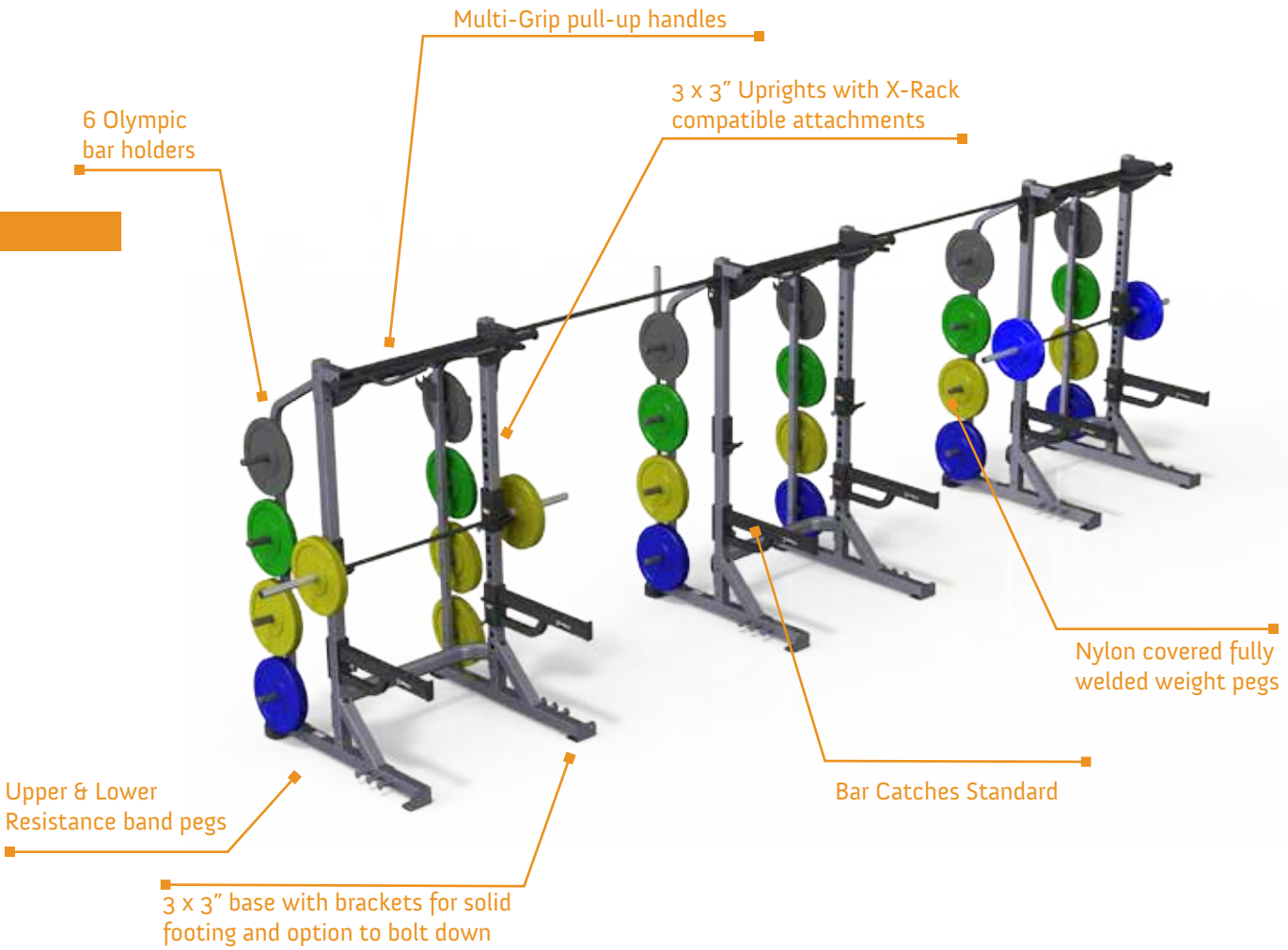


Model number	XHC-X1
Footprint	59.9" x 64.1" (152 cm x 163 cm)
Height	Frame: 95.2" (242 cm) Ball Target: 127.2" (323 cm)
Warranty	10 year frame and welds/1 year parts/90 days misc.



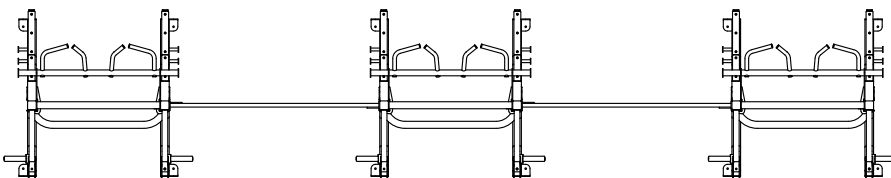


TRIPLE HALF CAGE



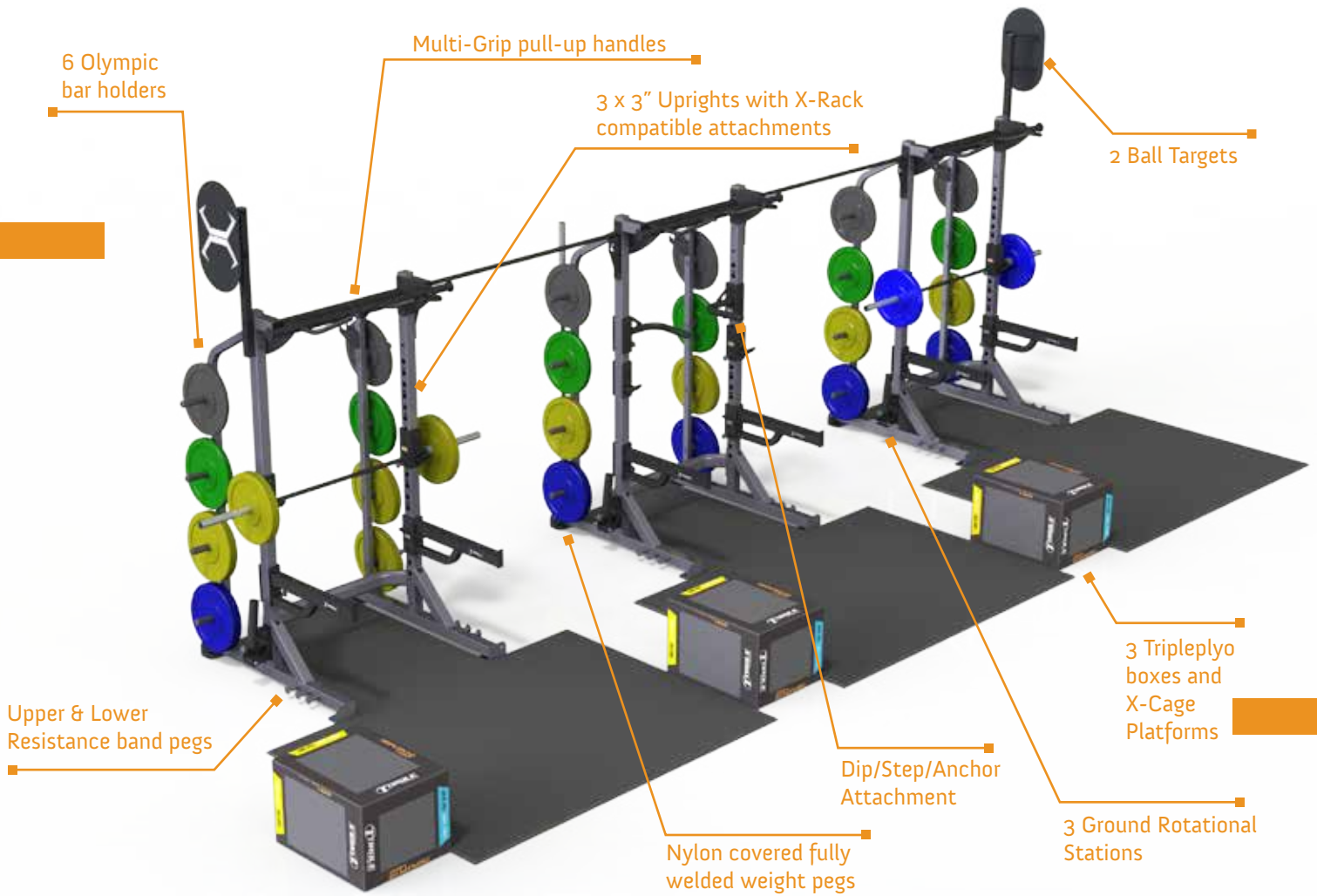
Model number	XTHC
Footprint	295" x 54.1" (794 cm x 137 cm)
Height	Frame: 95.2" (242 cm) Optional Ball Targets: 127.2" (323 cm)
Warranty	10 year frame and welds/1 year parts/90 days misc.

TOP VIEW



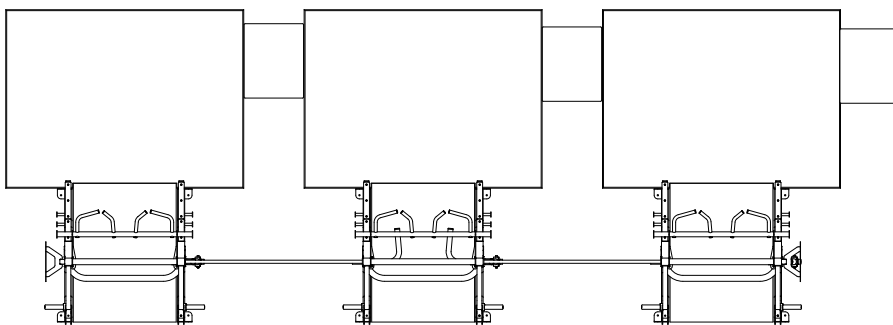


TRIPLE HALF CAGE X1 PACKAGE



Model number	XTHC-X1
Footprint	336.7" x 126.0" (750 cm x 320 cm)
Height	Frame: 95.2" (242 cm) Ball Targets: 127.2" (323 cm)
Warranty	10 year frame and welds/1 year parts/90 days misc.

TOP VIEW

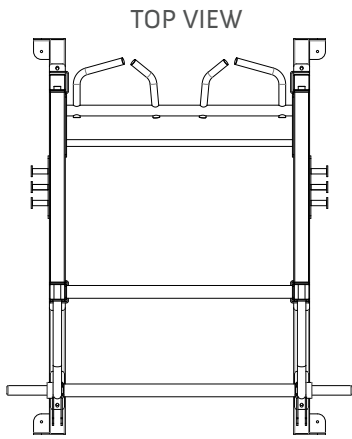




POWER CAGE



Model number	XPC
Footprint	73.0" x 64.1" (185 cm x 163 cm)
Height	Frame: 96.0" (244 cm)
Warranty	10 year frame and welds/1 year parts/90 days misc.

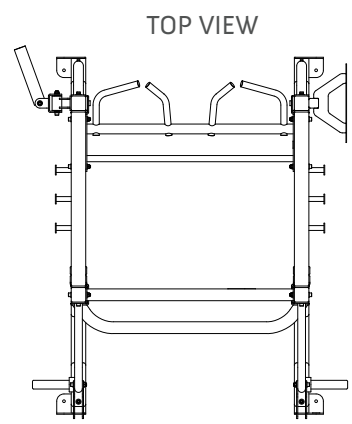




POWER CAGE X1 PACKAGE

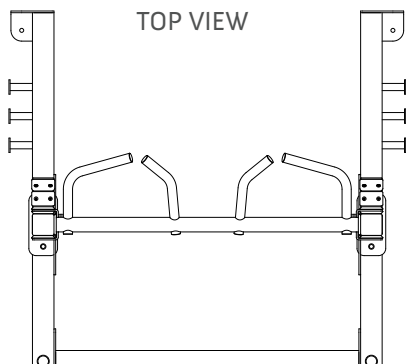


Model number	XPC-X1
Footprint	73.0" x 64.1" (185 cm x 163 cm)
Height	Frame: 96.0" (244 cm) Ball Target: 127.2" (323 cm)
Warranty	10 year frame and welds/1 year parts/90 days misc.



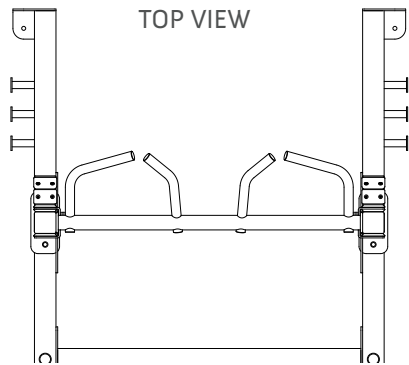


Model number	XA-8MGX
Footprint	53.8" x 53.9" (137 cm x 137 cm)
Height	Frame: 94.1" (239 cm)
Warranty	10 year frame and welds/1 year parts/90 days misc.



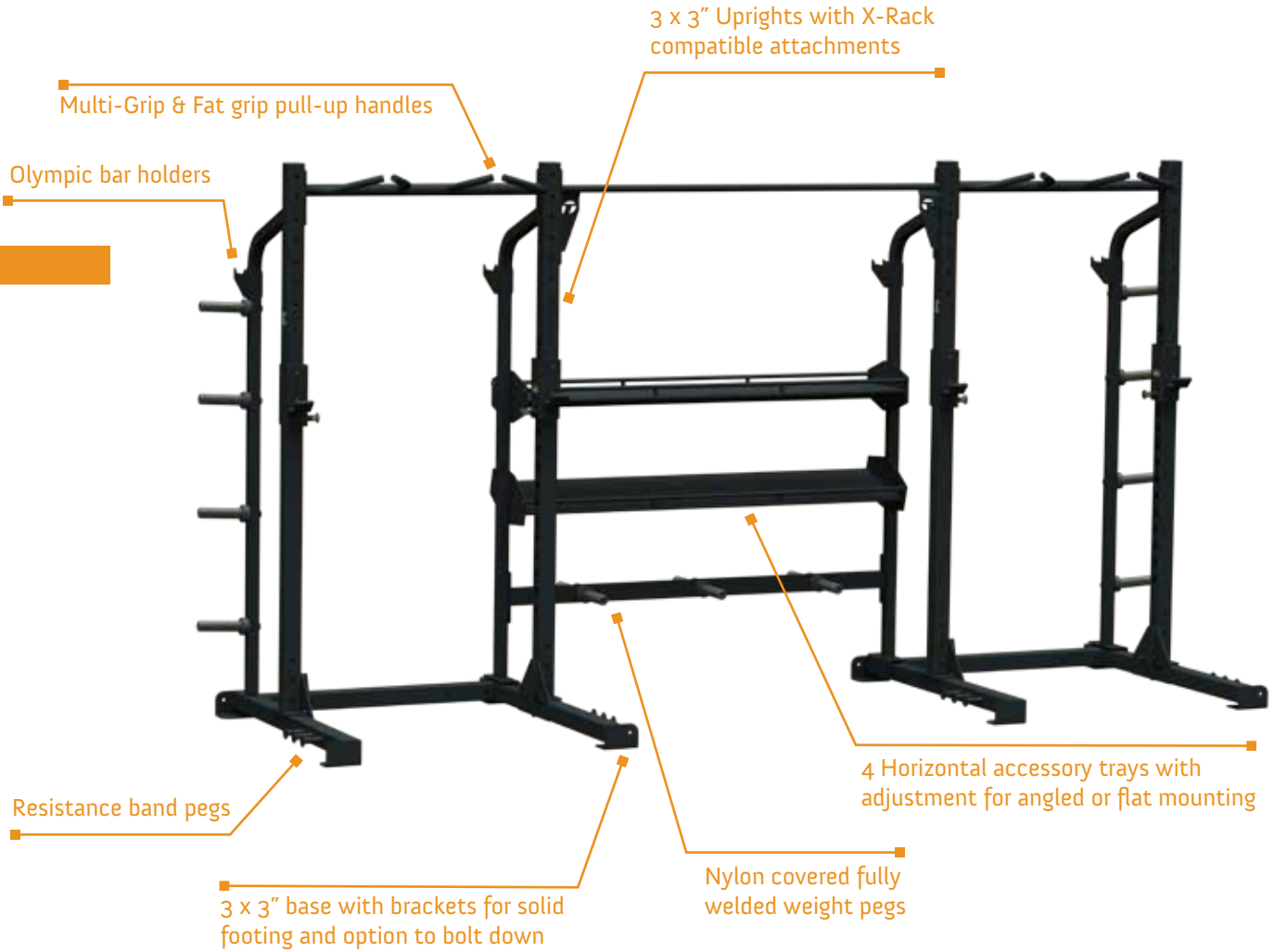


Model number	XA-8MGX-X1
Footprint	53.8" x 53.9" (137 cm x 137 cm)
Height	Frame: 94.1" (239 cm) Ball Target: 126.8" (322 cm)
Warranty	10 year frame and welds/1 year parts/90 days misc.



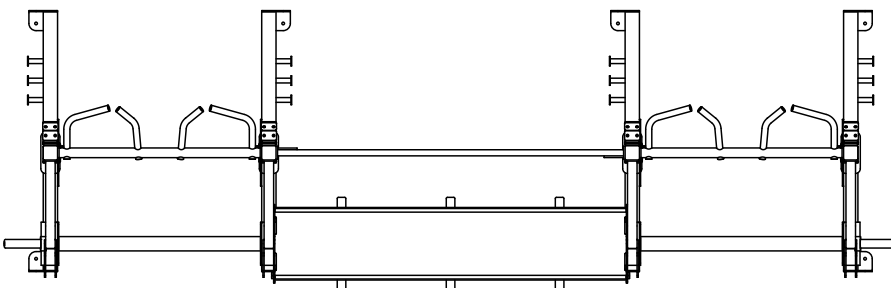


ARMAMENT 8



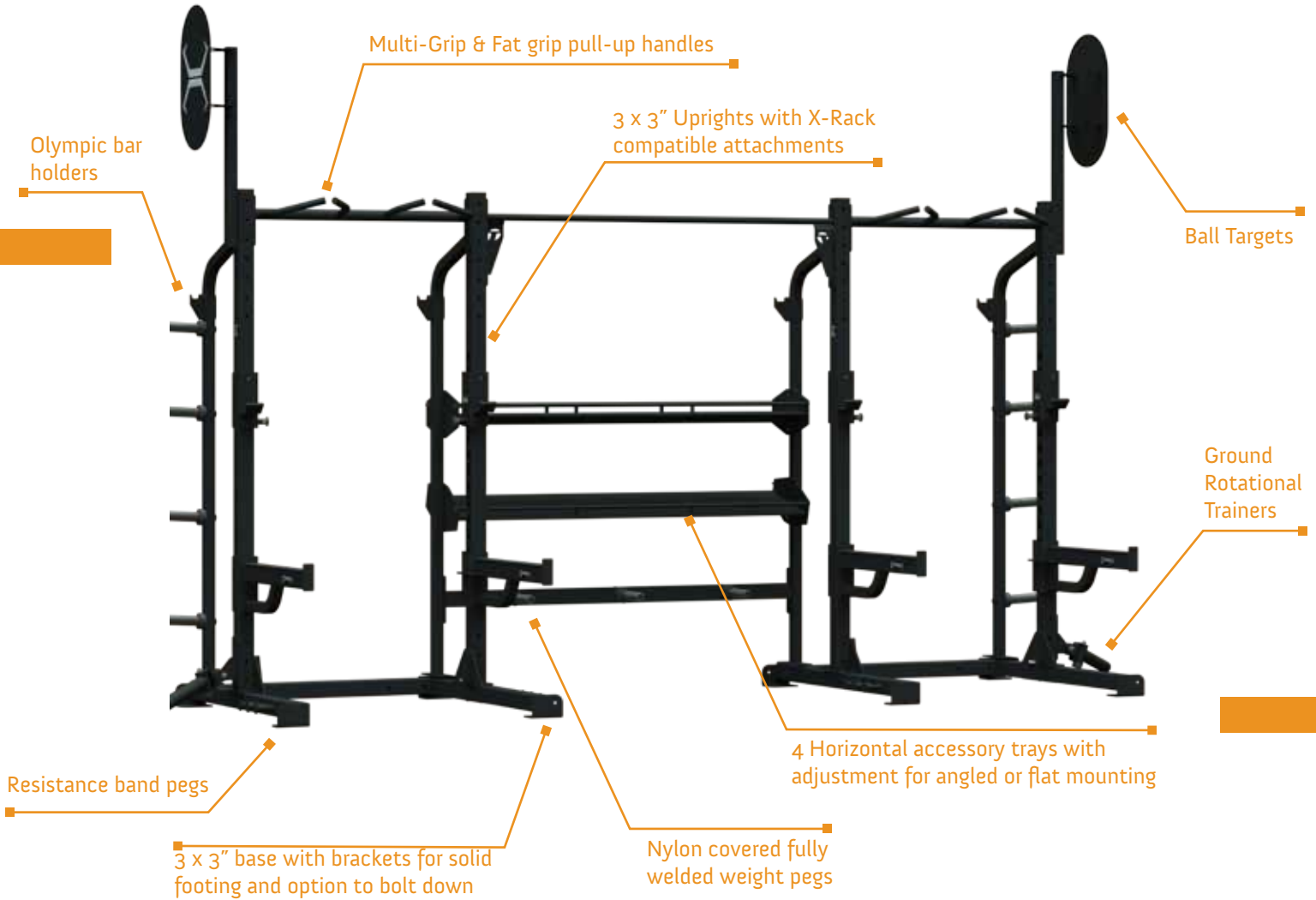
Model number	XARM-8MGX
Footprint	173.9" x 53.8" (442 cm x 137 cm)
Height	Frame: 94.1" (239 cm)
Warranty	10 year frame and welds/1 year parts/90 days misc.

TOP VIEW



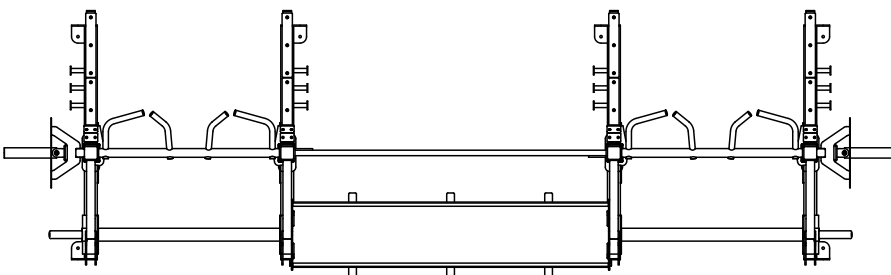


ARMAMENT 8 X1 PACKAGE



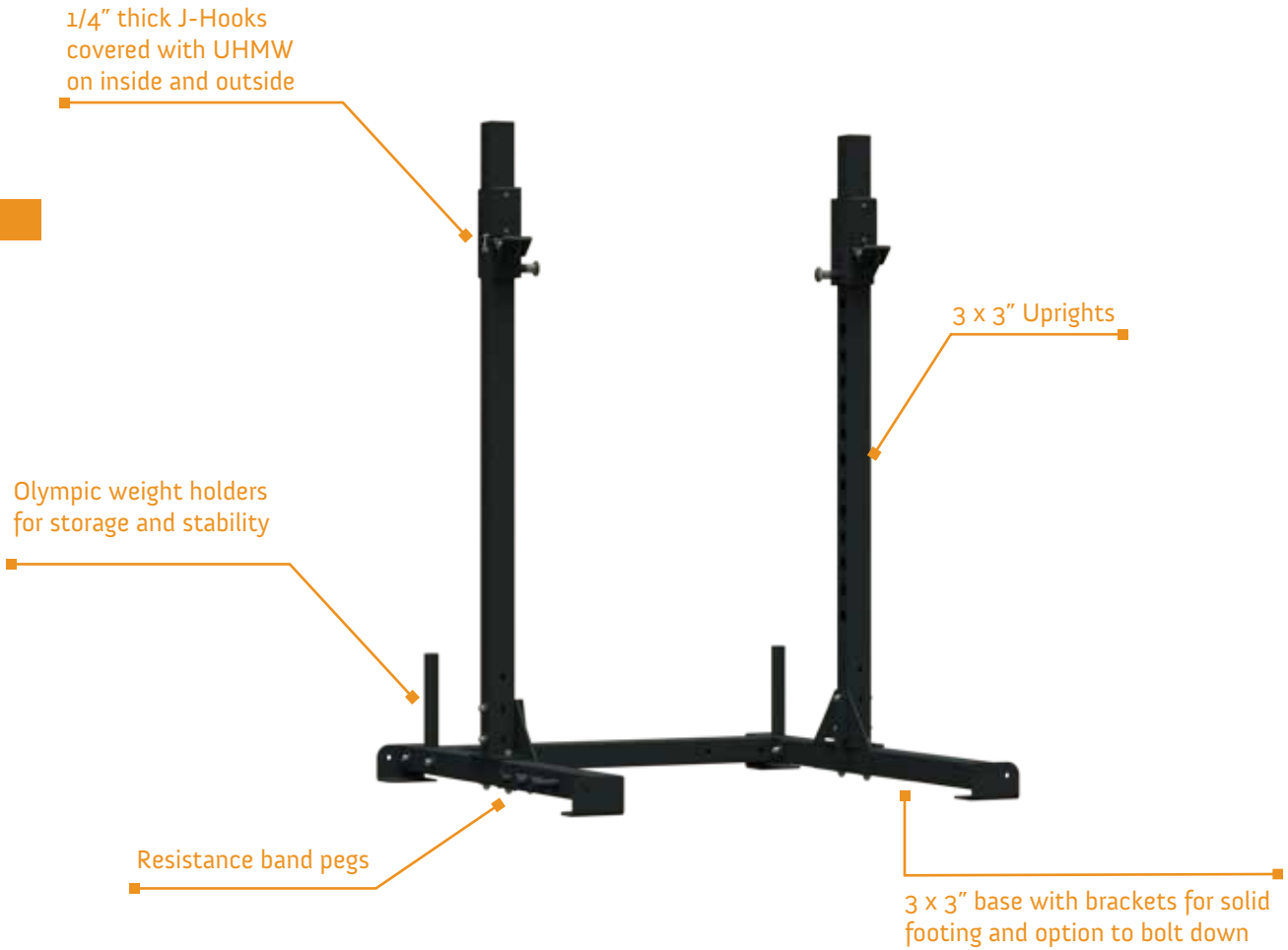
Model number	XARM-8MGX-X1
Footprint	173.9" x 53.8" (442 cm x 137 cm)
Height	Frame: 94.1" (239 cm) Ball Target: 126.8" (322 cm)
Warranty	10 year frame and welds/1 year parts/90 days misc.

TOP VIEW

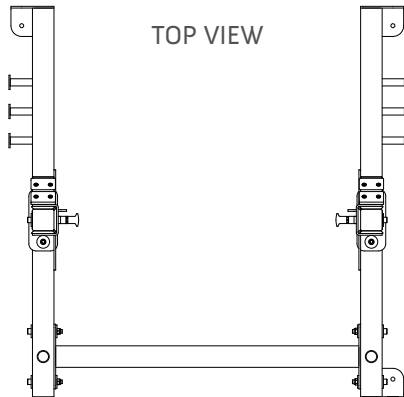




SQUAT STAND



Model number	X6SS
Footprint	53.8" x 53.9" (137 cm x 137 cm)
Height	Frame: 74.7" (190 cm)
Warranty	10 year frame and welds/1 year parts/90 days misc.

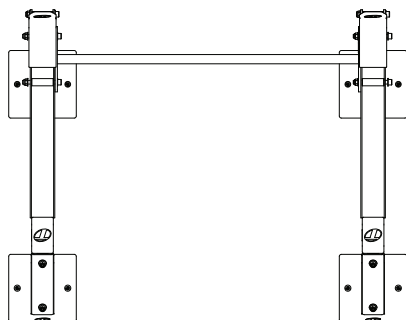




Urethane boots that cover anchoring hardware

Model number	XCW-1M
Footprint	36.7" x 53.9" (93 cm x 136 cm)
Height	Frame 95.8" (243 cm)
Minimum Required Live Area	11' x 8.5' (3.37 m x 2.59 m)
Warranty	10 year frame and welds/1 year parts/90 days misc.

TOP VIEW



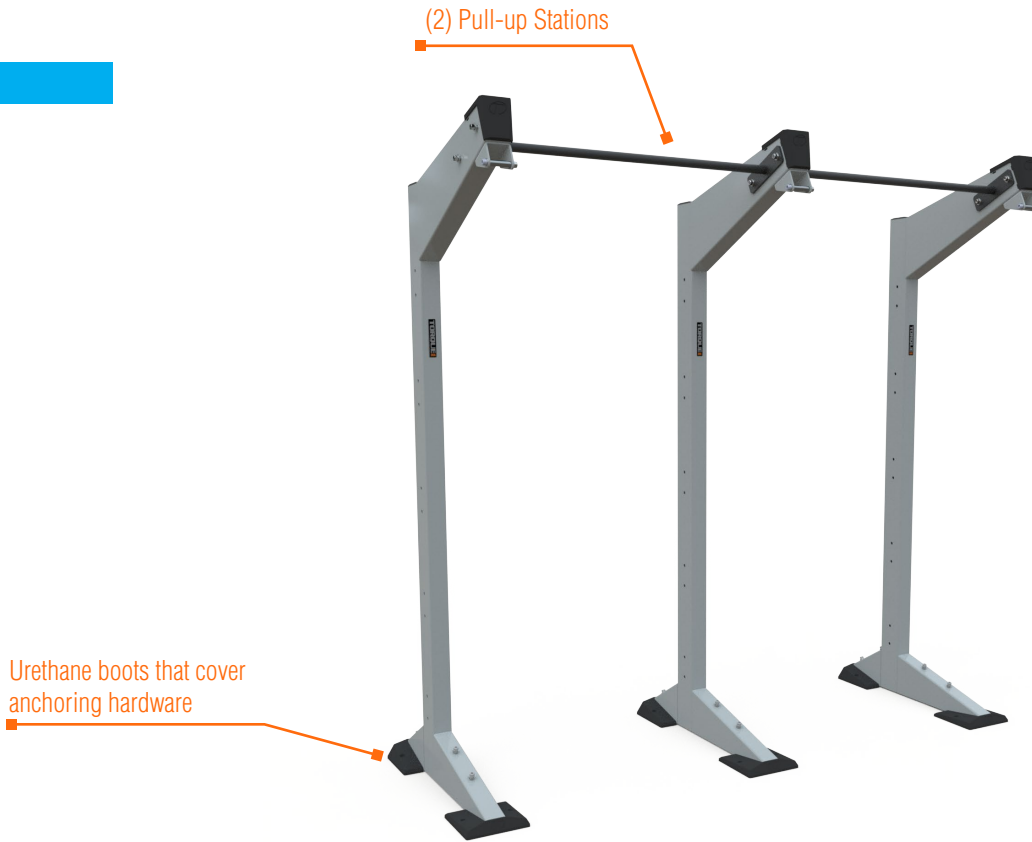
MODULE OPTIONS

- STORAGE MODULE
- BALL & HANGING STORAGE
- STALL BARS
- BALL TARGET WALL
- MODULE EXTENSION

ATTACHMENT OPTIONS

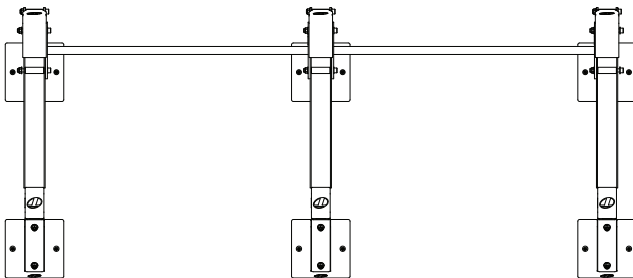
- BALL TARGET
- BATTLE ROPE ANCHOR
- BALL & HANGING STORAGE EXTENSION
- GROUND ROTATIONAL TRAINER
- BAR/WEIGHT STORAGE
- DIP ATTACHMENT
- PLYO-STEP ATTACHMENT
- 3D HEAVY BAG SWIVEL
- ENDLESS ROPE

NOTE: X-Create systems are required to be bolted to a concrete sub-floor.



Model number	XCW-2M
Footprint	36.7" x 99" (93 cm x 251cm)
Height	Frame 95.8" (243 cm)
Minimum Required Live Area	11' x 12.3' (3.37 m x 3.75 m)
Warranty	10 year frame and welds/1 year parts/90 days misc.

TOP VIEW



MODULE OPTIONS

- STORAGE MODULE
- BALL & HANGING STORAGE
- STALL BARS
- BALL TARGET WALL
- MODULE EXTENSION

ATTACHMENT OPTIONS

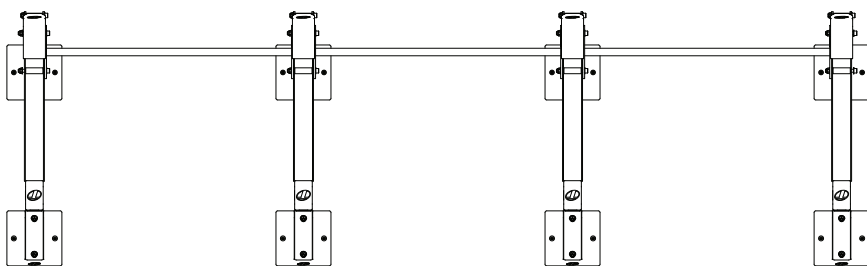
- BALL TARGET
- BATTLE ROPE ANCHOR
- BALL & HANGING STORAGE EXTENSION
- GROUND ROTATIONAL TRAINER
- BAR/WEIGHT STORAGE
- DIP ATTACHMENT
- PLYO-STEP ATTACHMENT
- 3D HEAVY BAG SWIVEL
- ENDLESS ROPE

NOTE: X-Create systems are required to be bolted to a concrete sub-floor.



Model number	XCW-3M
Footprint	36.7" x 144.1" (93 cm x 366 cm)
Height	Frame 95.8" (243 cm)
Minimum Required Live Area	11' x 16.0' (3.37 m x 4.88 m)
Warranty	10 year frame and welds/1 year parts/90 days misc.

TOP VIEW



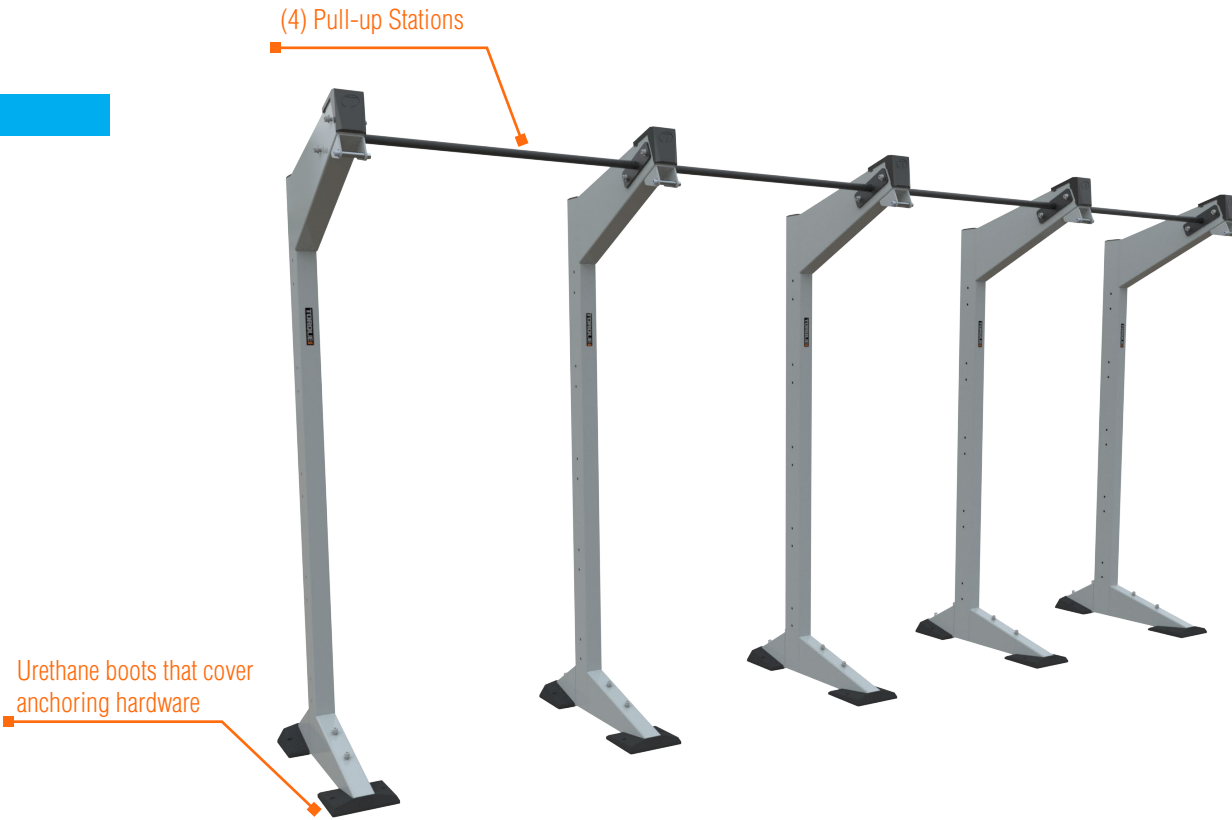
MODULE OPTIONS

- STORAGE MODULE
- BALL & HANGING STORAGE
- STALL BARS
- BALL TARGET WALL
- MODULE EXTENSION

ATTACHMENT OPTIONS

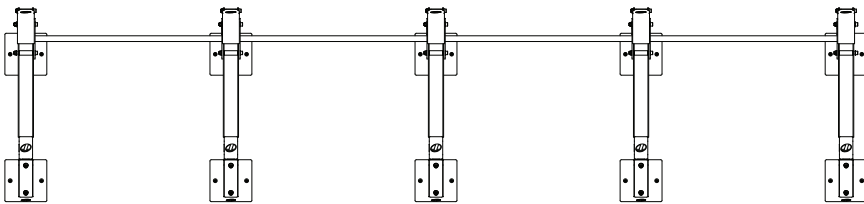
- BALL TARGET
- BATTLE ROPE ANCHOR
- BALL & HANGING STORAGE EXTENSION
- GROUND ROTATIONAL TRAINER
- BAR/WEIGHT STORAGE
- DIP ATTACHMENT
- PLYO-STEP ATTACHMENT
- 3D HEAVY BAG SWIVEL
- ENDLESS ROPE

NOTE: X-Create systems are required to be bolted to a concrete sub-floor.



Model number	XCW-4M
Footprint	36.7" x 189.1" (93 cm x 480 cm)
Height	Frame 95.8" (243 cm)
Minimum Required Live Area	11' x 19.8' (3.37 m x 6.04 m)
Warranty	10 year frame and welds/1 year parts/90 days misc.

TOP VIEW



MODULE OPTIONS

- STORAGE MODULE
- BALL & HANGING STORAGE
- STALL BARS
- BALL TARGET WALL
- MODULE EXTENSION

ATTACHMENT OPTIONS

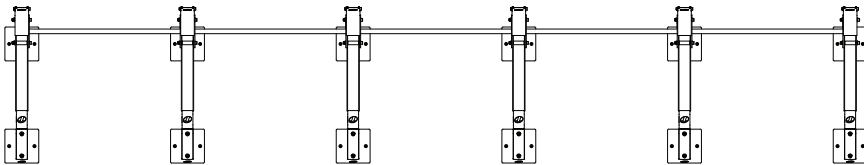
- BALL TARGET
- BATTLE ROPE ANCHOR
- BALL & HANGING STORAGE EXTENSION
- GROUND ROTATIONAL TRAINER
- BAR/WEIGHT STORAGE
- DIP ATTACHMENT
- PLYO-STEP ATTACHMENT
- 3D HEAVY BAG SWIVEL
- ENDLESS ROPE

NOTE: X-Create systems are required to be bolted to a concrete sub-floor.



Model number	XCW-5M
Footprint	36.7" x 234.2" (93 cm x 594 cm)
Height	Frame 95.8" (243 cm)
Minimum Required Live Area	11' x 23.5' (3.37 m x 7.16 m)
Warranty	10 year frame and welds/1 year parts/90 days misc.

TOP VIEW



MODULE OPTIONS

- STORAGE MODULE
- BALL & HANGING STORAGE
- STALL BARS
- BALL TARGET WALL
- MODULE EXTENSION

ATTACHMENT OPTIONS

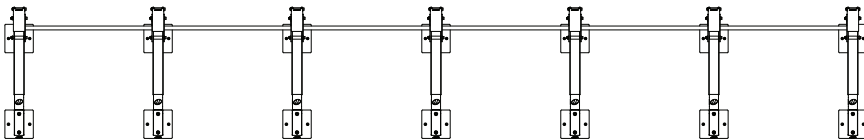
- BALL TARGET
- BATTLE ROPE ANCHOR
- BALL & HANGING STORAGE EXTENSION
- GROUND ROTATIONAL TRAINER
- BAR/WEIGHT STORAGE
- DIP ATTACHMENT
- PLYO-STEP ATTACHMENT
- 3D HEAVY BAG SWIVEL
- ENDLESS ROPE

NOTE: X-Create systems are required to be bolted to a concrete sub-floor.



Model number	XCW-6M
Footprint	36.7" x 279.7" (93 cm x 710 cm)
Height	Frame 95.8" (243 cm)
Minimum Required Live Area	11' x 27.3' (3.37 m x 8.32 m)
Warranty	10 year frame and welds/1 year parts/90 days misc.

TOP VIEW



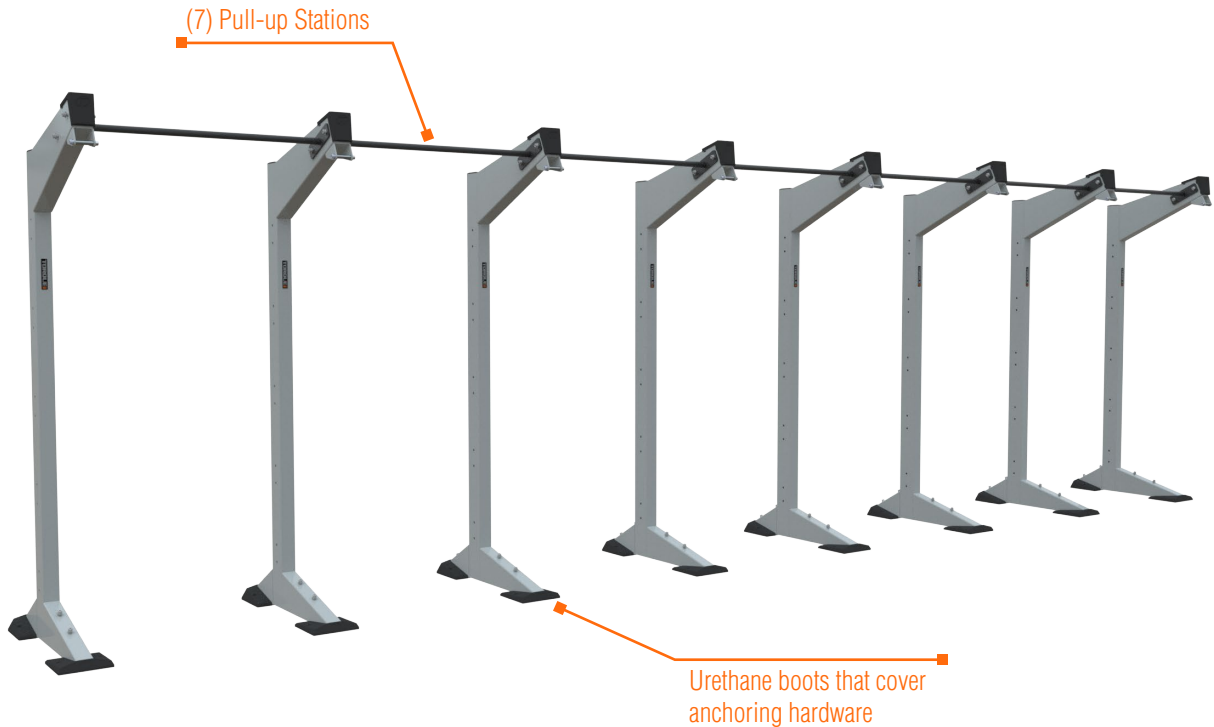
MODULE OPTIONS

- STORAGE MODULE
- BALL & HANGING STORAGE
- STALL BARS
- BALL TARGET WALL
- MODULE EXTENSION

ATTACHMENT OPTIONS

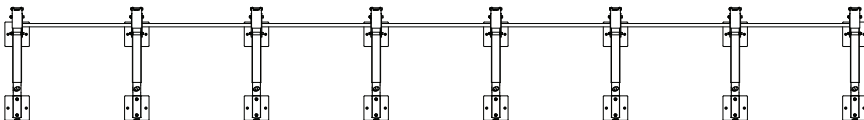
- BALL TARGET
- BATTLE ROPE ANCHOR
- BALL & HANGING STORAGE EXTENSION
- GROUND ROTATIONAL TRAINER
- BAR/WEIGHT STORAGE
- DIP ATTACHMENT
- PLYO-STEP ATTACHMENT
- 3D HEAVY BAG SWIVEL
- ENDLESS ROPE

NOTE: X-Create systems are required to be bolted to a concrete sub-floor.



Model number	XCW-7M
Footprint	36.7" x 324.8" (93 cm x 825 cm)
Height	Frame 95.8" (243 cm)
Minimum Required Live Area	11' x 31.1' (3.37 m x 9.48 m)
Warranty	10 year frame and welds/1 year parts/90 days misc.

TOP VIEW



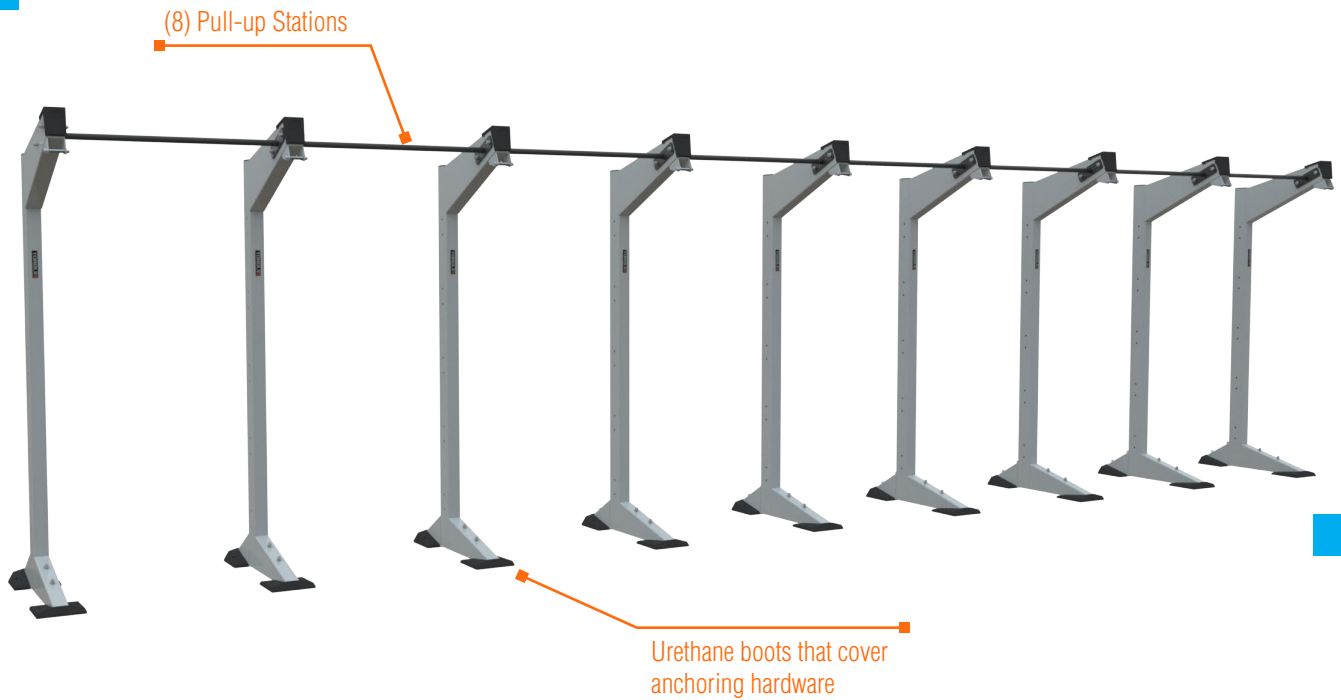
MODULE OPTIONS

- STORAGE MODULE
- BALL & HANGING STORAGE
- STALL BARS
- BALL TARGET WALL
- MODULE EXTENSION

ATTACHMENT OPTIONS

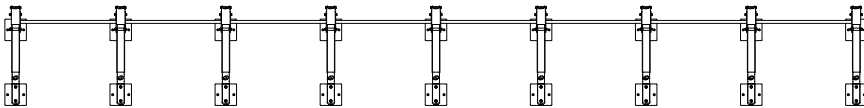
- BALL TARGET
- BATTLE ROPE ANCHOR
- BALL & HANGING STORAGE EXTENSION
- GROUND ROTATIONAL TRAINER
- BAR/WEIGHT STORAGE
- DIP ATTACHMENT
- PLYO-STEP ATTACHMENT
- 3D HEAVY BAG SWIVEL
- ENDLESS ROPE

NOTE: X-Create systems are required to be bolted to a concrete sub-floor.



Model number	XCW-8M
Footprint	36.7" x 369.8" (93 cm x 939 cm)
Height	Frame 95.8" (243 cm)
Minimum Required Live Area	11' x 34.8' (3.37 m x 10.61 m)
Warranty	10 year frame and welds/1 year parts/90 days misc.

TOP VIEW



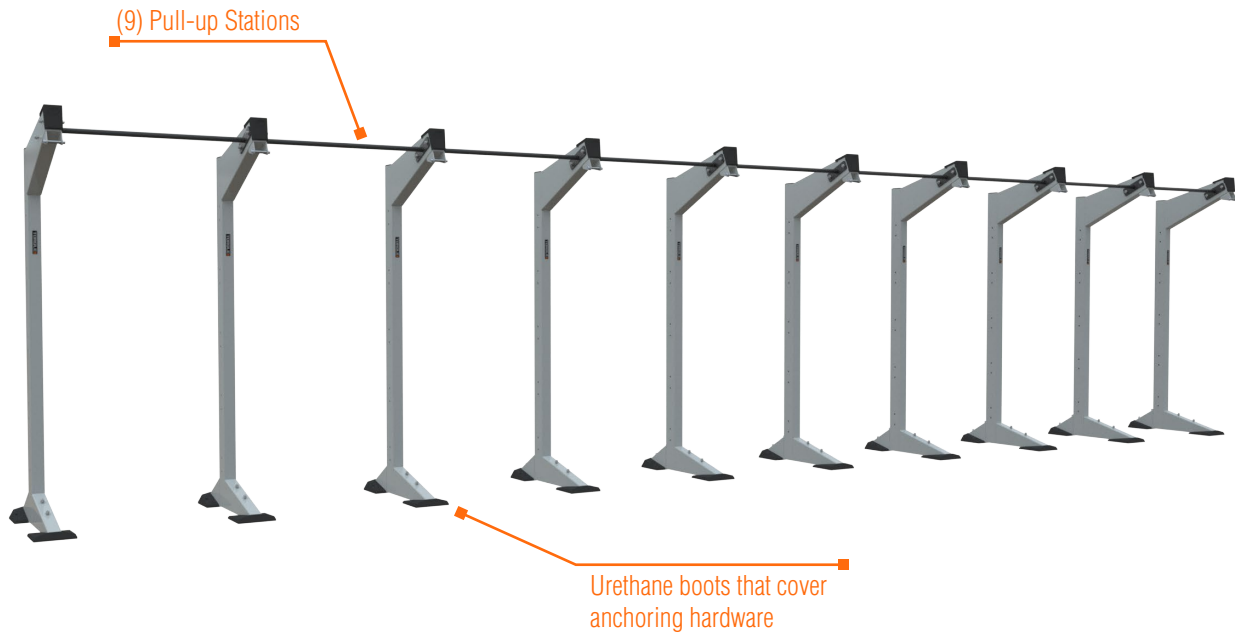
MODULE OPTIONS

- STORAGE MODULE
- BALL & HANGING STORAGE
- STALL BARS
- BALL TARGET WALL
- MODULE EXTENSION

ATTACHMENT OPTIONS

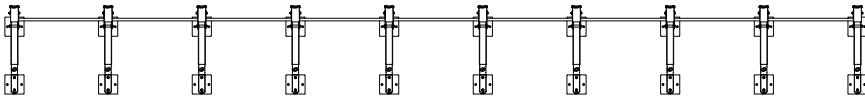
- BALL TARGET
- BATTLE ROPE ANCHOR
- BALL & HANGING STORAGE EXTENSION
- GROUND ROTATIONAL TRAINER
- BAR/WEIGHT STORAGE
- DIP ATTACHMENT
- PLYO-STEP ATTACHMENT
- 3D HEAVY BAG SWIVEL
- ENDLESS ROPE

NOTE: X-Create systems are required to be bolted to a concrete sub-floor.



Model number	XCW-9M
Footprint	36.7" x 414.9" (93 cm x 1054 cm)
Height	Frame 95.8" (243 cm)
Minimum Required Live Area	11' x 38.6' (3.37 m x 11.77 m)
Warranty	10 year frame and welds/1 year parts/90 days misc.

TOP VIEW



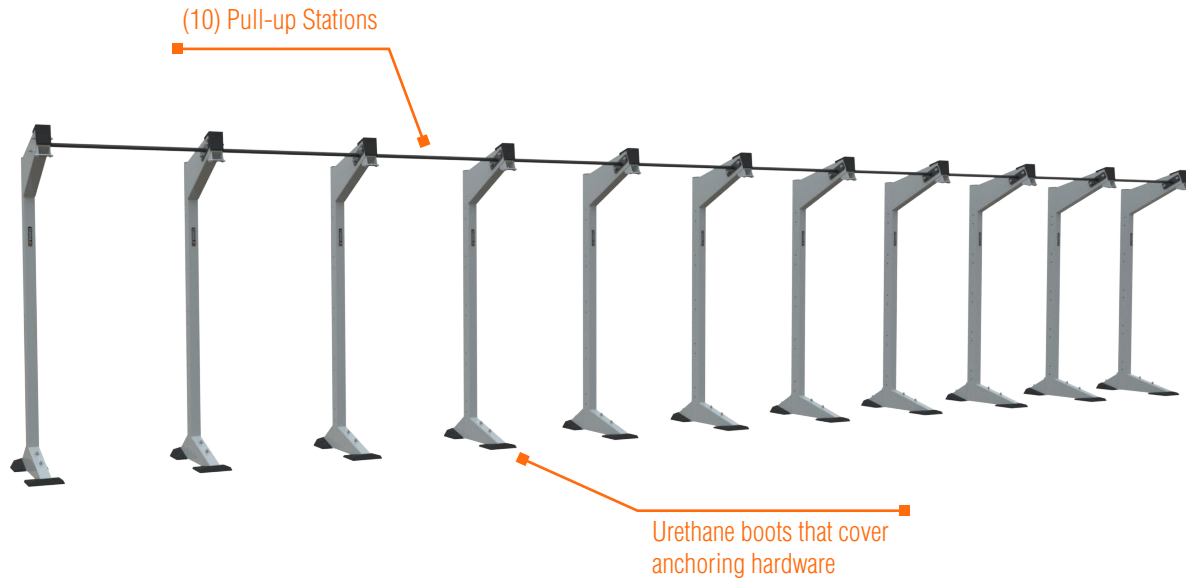
MODULE OPTIONS

- STORAGE MODULE
- BALL & HANGING STORAGE
- STALL BARS
- BALL TARGET WALL
- MODULE EXTENSION

ATTACHMENT OPTIONS

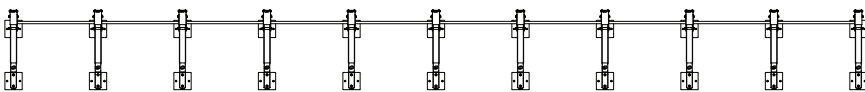
- BALL TARGET
- BATTLE ROPE ANCHOR
- BALL & HANGING STORAGE EXTENSION
- GROUND ROTATIONAL TRAINER
- BAR/WEIGHT STORAGE
- DIP ATTACHMENT
- PLYO-STEP ATTACHMENT
- 3D HEAVY BAG SWIVEL
- ENDLESS ROPE

NOTE: X-Create systems are required to be bolted to a concrete sub-floor.



Model number	XCW-10M
Footprint	36.7" x 460.0" (93 cm x 1168 cm)
Height	Frame 95.8" (243 cm)
Minimum Required Live Area	11' x 42.3' (3.37 m x 12.89 m)
Warranty	10 year frame and welds/1 year parts/90 days misc.

TOP VIEW



MODULE OPTIONS

- STORAGE MODULE
- BALL & HANGING STORAGE
- STALL BARS
- BALL TARGET WALL
- MODULE EXTENSION

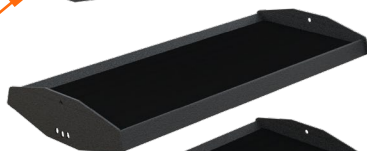
ATTACHMENT OPTIONS

- BALL TARGET
- BATTLE ROPE ANCHOR
- BALL & HANGING STORAGE EXTENSION
- GROUND ROTATIONAL TRAINER
- BAR/WEIGHT STORAGE
- DIP ATTACHMENT
- PLYO-STEP ATTACHMENT
- 3D HEAVY BAG SWIVEL
- ENDLESS ROPE

NOTE: X-Create systems are required to be bolted to a concrete sub-floor.



(1) Ball storage component with adjustable rails for different diameter balls.

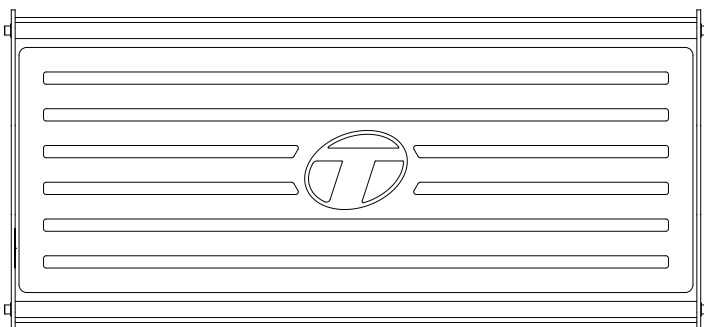


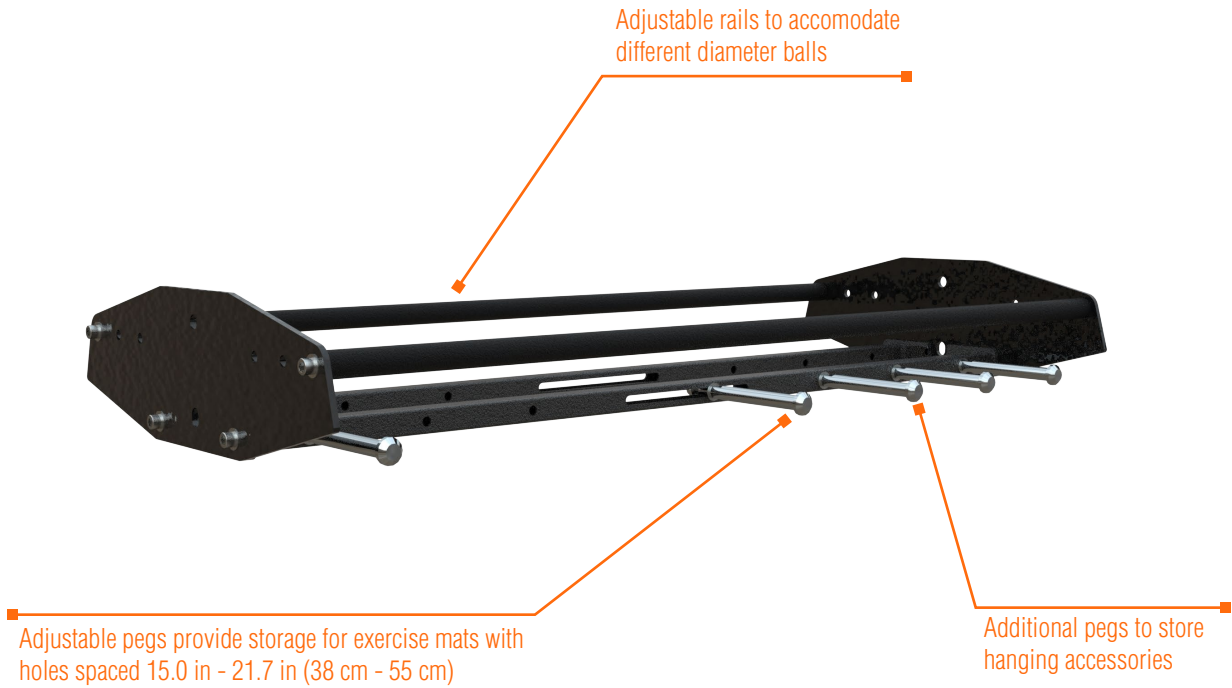
17.3 in (44 cm) deep trays can hold up to 100 lb hex head dumbbells and trays can be mounted at an angle or flat.

(4) heavy duty trays with 3/8 inch (9 mm) thick mat.

Model number	XCREATE-4SM
Assembled Dimensions	69.1" x 42.9" x 19.5" (176 cm x 109 cm x 50 cm)
Weight	189 lb (85.7 kg)
Compatibility	X-Create Module Space
Warranty	10 year frame and welds/1 year parts/90 days misc.

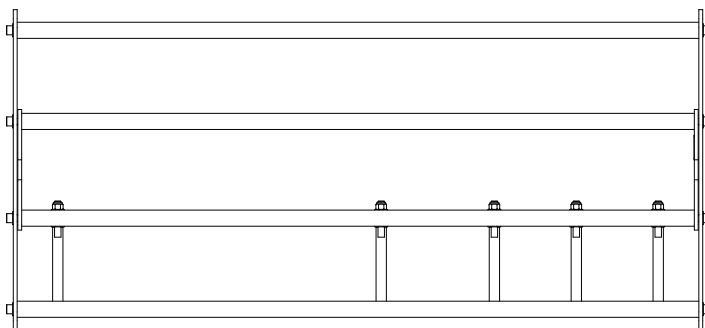
TOP VIEW

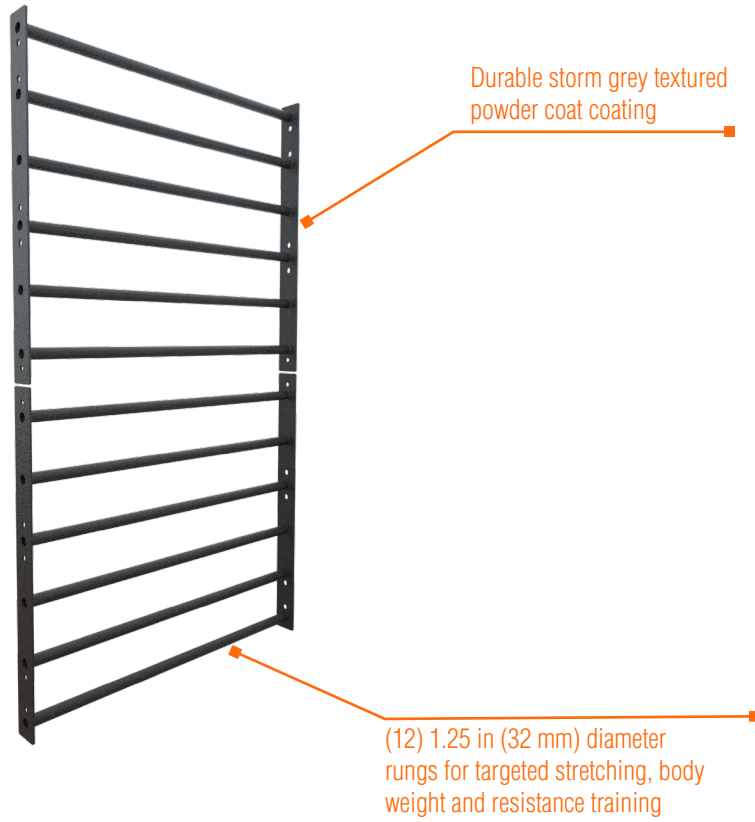




Model number	XCREATE-4BHS
Assembled Dimensions	42.9" x 19.6" x 5.8" (109 cm x 50 cm x 15 cm)
Weight	28.0 lb (12.7 kg)
Compatibility	X-Create Module Space
Warranty	10 year frame and welds/1 year parts/90 days misc.

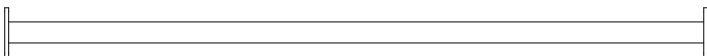
TOP VIEW

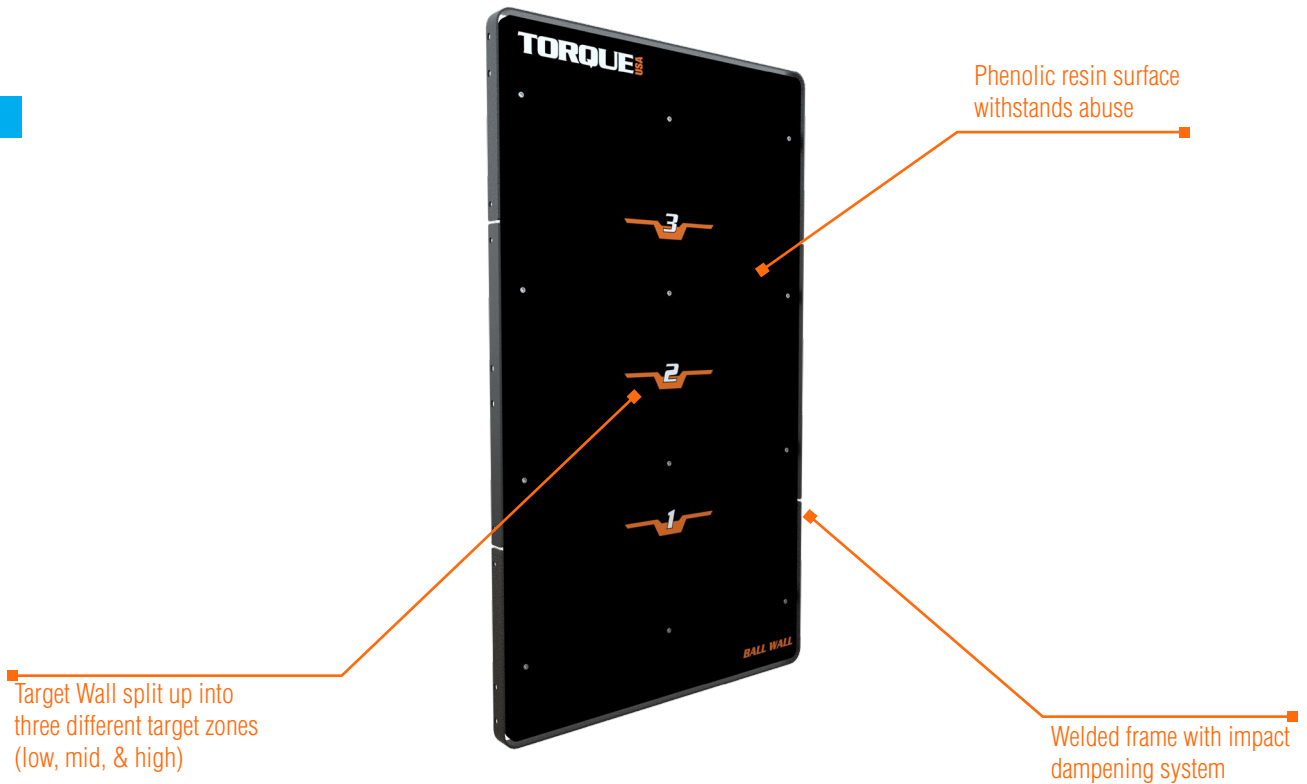




Model number	XCREATE-4SB
Assembled Dimensions	73.2" x 42.0" x 3.0" (186 cm x 107 x 7.5 cm)
Weight	43.2 lb (19.6 kg)
Compatibility	X-Create Module Space
Warranty	10 year frame and welds/1 year parts/90 days misc.

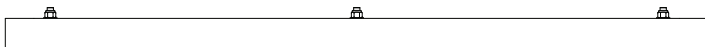
TOP VIEW

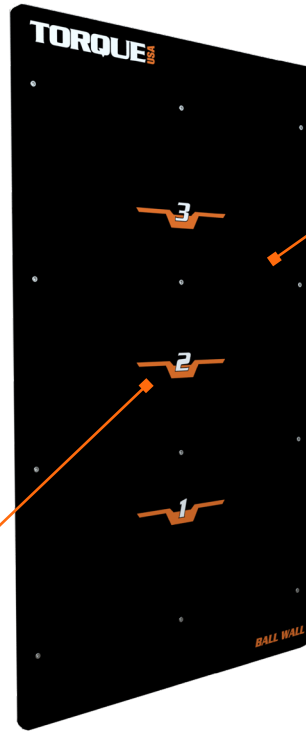




Model number	XCREATE-4BTW
Assembled Dimensions	73.2" x 42.1" x 2.7" (186 cm x 107 cm x 7.0 cm)
Weight	81.6 lb (37.0 kg)
Compatibility	X-Create Module Space
Warranty	10 year frame and welds/1 year parts/90 days misc.

TOP VIEW





Phenolic resin surface withstands abuse

Target Wall split up into three different target zones (low, mid, & high)

Model number	XCREATE-4BTWRS
Assembled Dimensions	71.7" x 40.6" x 0.71" (182 cm x 103 cm x 1.8 cm)
Weight	25.4 lb (11.5 kg)
Compatibility	X-Create Module Space with XCREATE-4BTW
Warranty	10 year frame and welds/1 year parts/90 days misc.

TOP VIEW

NOTE: This component does not include a frame. It attaches to and requires the XCREATE-4BTW to be used with 2-Sided Center Space Systems for a ball target wall on both sides.



3 X 3 INCH (75 MM) UPRIGHTS

(1) XRACK-BS BAR SUPPORTS

(1) XRACK-BC BAR CATCHES

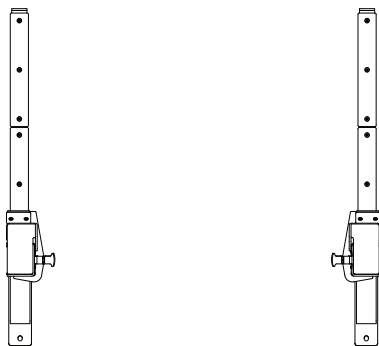


Adds barbell lifting to any X-Create Wall, Center, or Bridge Space System

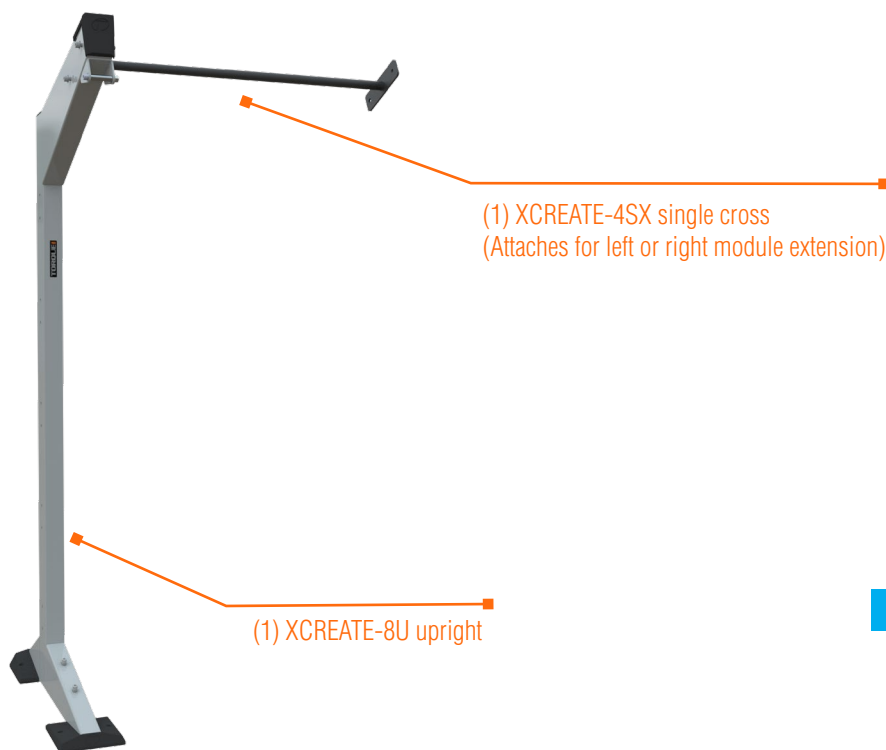
Model number	XCREATE-8OLS
Assembled Dimensions	43.9" x 48.4" x 87.9" (111.5 cm x 122.9 cm x 223.2 cm)
Weight	138.6 lb (62.8 kg)
Compatibility	X-Create Module Space
Warranty	10 year frame and welds/1 year parts/90 days misc.

TOP VIEW

NOTE: See X-Create Attachments for weight storage. (XCREATE-8UVWS)

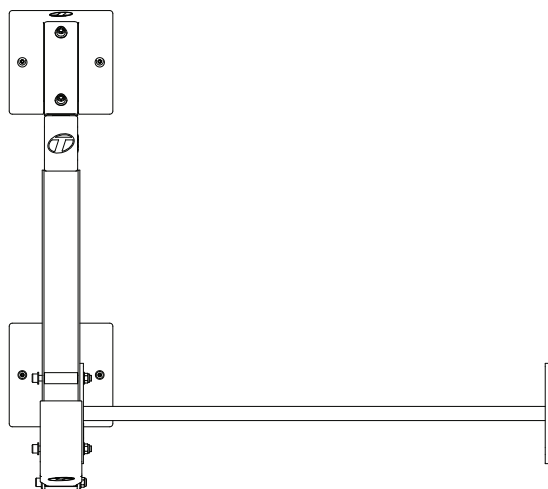


Extends and adds training spaces to any X-Create Base or Functional System



Model number	XCREATE-8UME
Assembled Dimensions	37.0" x 48.0" x 98.5" (94 cm x 122 cm x 243 cm)
Weight	110 lb (49.9 kg)
Compatibility	X-Create Module Space
Warranty	10 year frame and welds/1 year parts/90 days misc.

TOP VIEW

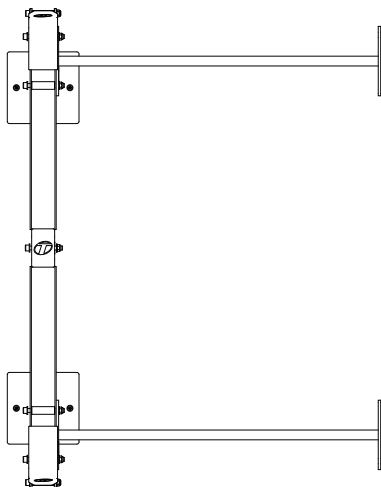


Extends and adds training spaces to any X-Create 2-Sided Center Base or Functional System



Model number	XCREATE-2S8UME
Assembled Dimensions	50.0" x 48.0" x 98.5" (127 cm x 122 cm x 243 cm)
Weight	158 lb (71.7 kg)
Compatibility	X-Create 2-Sided Center Module Space
Warranty	10 year frame and welds/1 year parts/90 days misc.

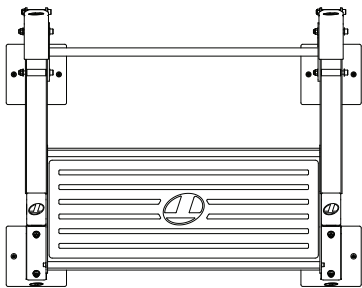
TOP VIEW





Model number	XCSW-1M
Footprint	36.7" x 53.9" (93 cm x 136 cm)
Height	Frame 95.8" (243 cm)
Minimum Required Live Area	11' x 8.5' (3.37 m x 2.59 m)
Warranty	10 year frame and welds/1 year parts/90 days misc.

TOP VIEW



MAIN OPTIONS / SUBSTITUTIONS

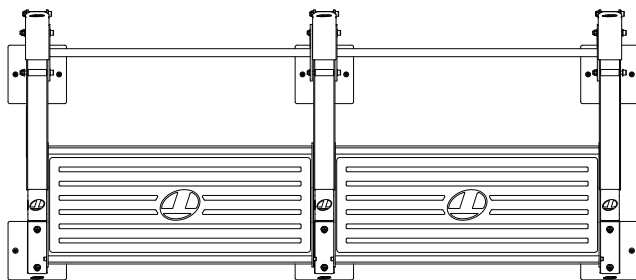
- BALL TARGET
- BALL & HANGING STORAGE EXTENSION
- GROUND ROTATIONAL TRAINER
- BAR/WEIGHT STORAGE
- DIP ATTACHMENT
- PLYO ATTACHMENT
- STALL BARS
- BALL TARGET WALL
- MONKEY BAR CONFIGURATIONS
- 3D HEAVY BAG SWIVEL
- ENDLESS ROPE
- ROCK CLIMBING GRIPS

NOTE: X-Create systems are required to be bolted to a concrete sub-floor.



Model number	XCSW-2M
Footprint	36.7" x 99" (93 cm x 251 cm)
Height	Frame 95.8" (243 cm)
Minimum Required Live Area	11' x 12.3' (3.37 m x 3.75 m)
Warranty	10 year frame and welds/1 year parts/90 days misc.

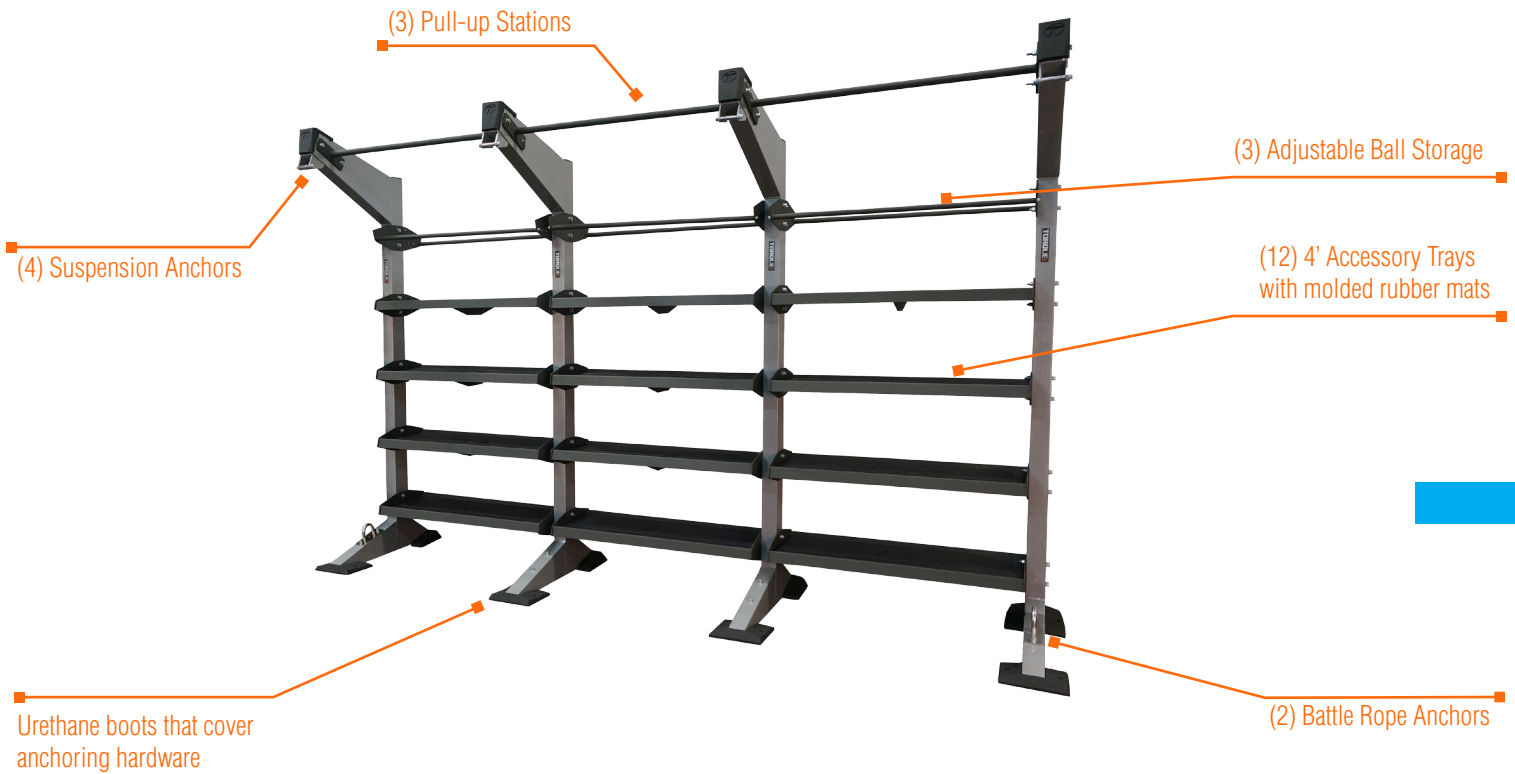
TOP VIEW



MAIN OPTIONS / SUBSTITUTIONS

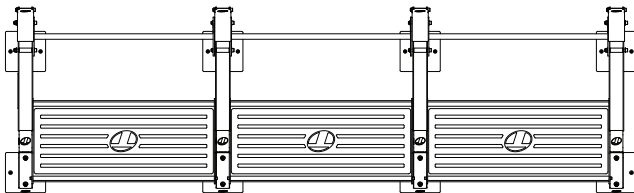
- BALL TARGET
- BALL & HANGING STORAGE EXTENSION
- GROUND ROTATIONAL TRAINER
- BAR/WEIGHT STORAGE
- DIP ATTACHMENT
- PLYO ATTACHMENT
- STALL BARS
- BALL TARGET WALL
- MONKEY BAR CONFIGURATIONS
- 3D HEAVY BAG SWIVEL
- ENDLESS ROPE
- ROCK CLIMBING GRIPS

NOTE: X-Create systems are required to be bolted to a concrete sub-floor.



Model number	XCSW-3M
Footprint	36.7" x 144.1" (93 cm x 366 cm)
Height	Frame 95.8" (243 cm)
Minimum Required Live Area	11' x 16.0' (3.37 m x 4.88 m)
Warranty	10 year frame and welds/1 year parts/90 days misc.

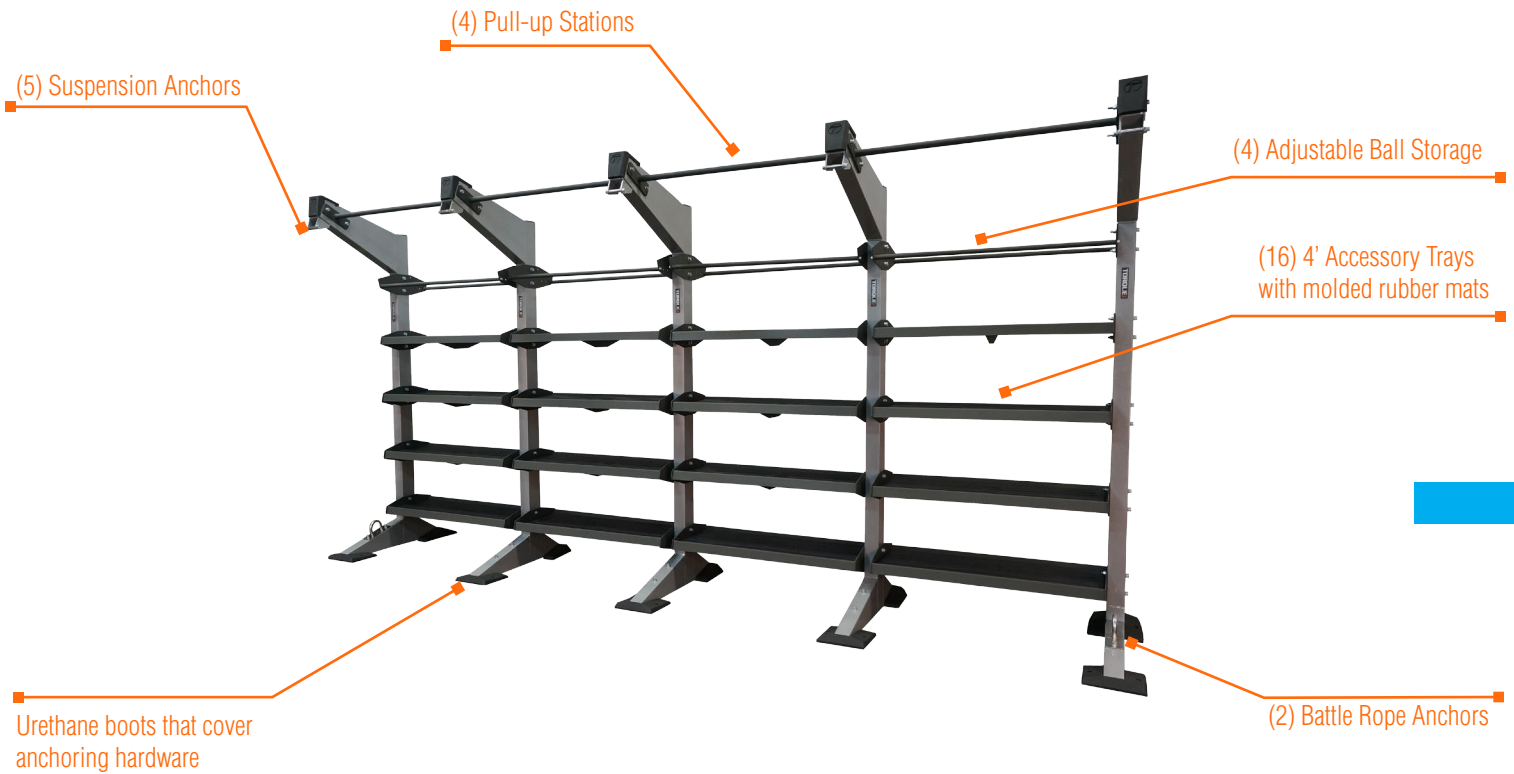
TOP VIEW



MAIN OPTIONS / SUBSTITUTIONS

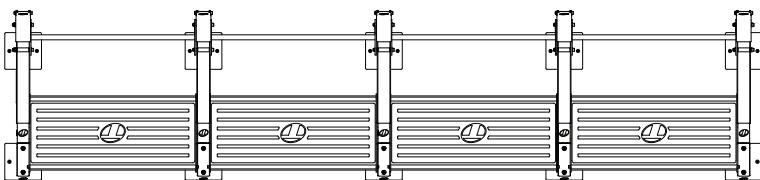
- BALL TARGET
- BALL & HANGING STORAGE EXTENSION
- GROUND ROTATIONAL TRAINER
- BAR/WEIGHT STORAGE
- DIP ATTACHMENT
- PLYO ATTACHMENT
- STALL BARS
- BALL TARGET WALL
- MONKEY BAR CONFIGURATIONS
- 3D HEAVY BAG SWIVEL
- ENDLESS ROPE
- ROCK CLIMBING GRIPS

NOTE: X-Create systems are required to be bolted to a concrete sub-floor.



Model number	XCSW-4M
Footprint	36.7" x 189.1" (93 cm x 480 cm)
Height	Frame 95.8" (243 cm)
Minimum Required Live Area	11' x 19.8' (3.37 m x 6.04 m)
Warranty	10 year frame and welds/1 year parts/90 days misc.

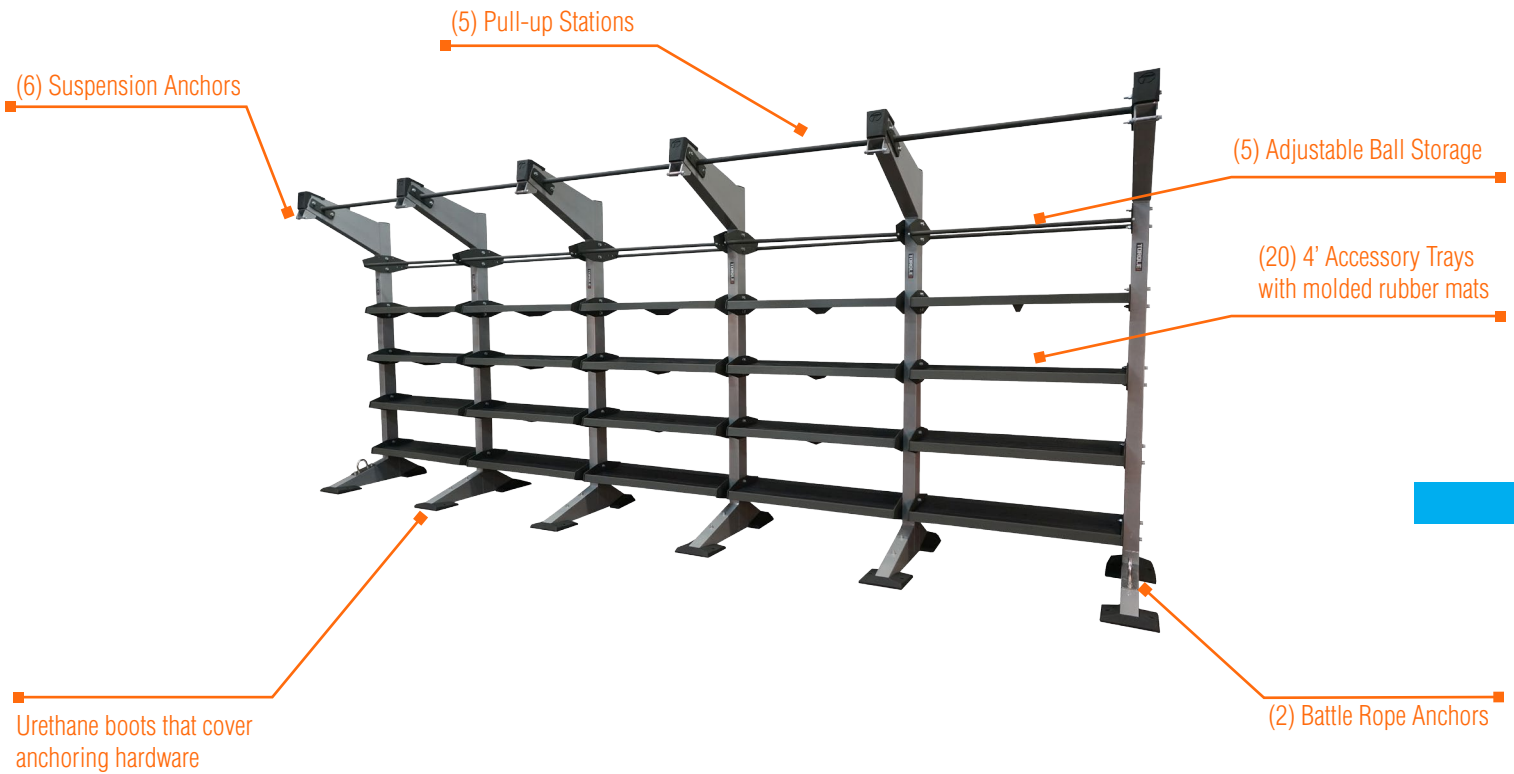
TOP VIEW



MAIN OPTIONS / SUBSTITUTIONS

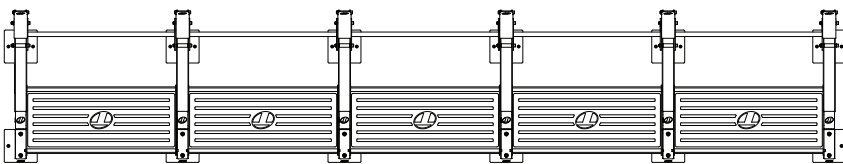
- BALL TARGET
- BALL & HANGING STORAGE EXTENSION
- GROUND ROTATIONAL TRAINER
- BAR/WEIGHT STORAGE
- DIP ATTACHMENT
- PLYO ATTACHMENT
- STALL BARS
- BALL TARGET WALL
- MONKEY BAR CONFIGURATIONS
- 3D HEAVY BAG SWIVEL
- ENDLESS ROPE
- ROCK CLIMBING GRIPS

NOTE: X-Create systems are required to be bolted to a concrete sub-floor.



Model number	XCSW-5M
Footprint	36.7" x 234.2" (93 cm x 594 cm)
Height	Frame 95.8" (243 cm)
Minimum Required Live Area	11' x 23.5' (3.37 m x 7.16 m)
Warranty	10 year frame and welds/1 year parts/90 days misc.

TOP VIEW



MAIN OPTIONS / SUBSTITUTIONS

- BALL TARGET
- BALL & HANGING STORAGE EXTENSION
- GROUND ROTATIONAL TRAINER
- BAR/WEIGHT STORAGE
- DIP ATTACHMENT
- PLYO ATTACHMENT
- STALL BARS
- BALL TARGET WALL
- MONKEY BAR CONFIGURATIONS
- 3D HEAVY BAG SWIVEL
- ENDLESS ROPE
- ROCK CLIMBING GRIPS

NOTE: X-Create systems are required to be bolted to a concrete sub-floor.



ATHLETIC PACKAGES

WWW.TORQUEFITNESS.COM



24 X 4 STORAGE WALL MOUNT A2 PACKAGE

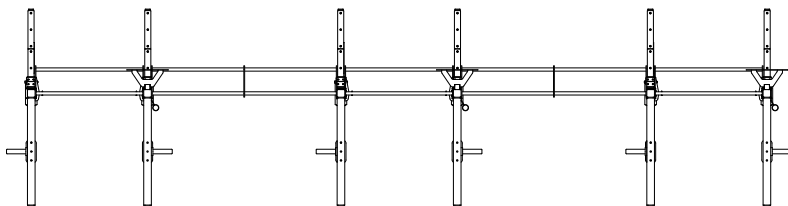
A2 PACKAGE



3 Olympic Lifting complete with bar catches, ground rotational trainers, J-Hooks, vertical weight storage, and double plays (bar storage/battle rope anchor)

Model number	XRSWM-4-24-A2
Footprint	288.9" x 47.8" (734 cm x 121 cm)
Height	Frame: 107.1" (272 cm) Ball Target: 126.7" (322 cm)
Minimum Required Live Area	29' x 8' (8.8 m x 2.4 m)
Warranty	10 year frame and welds/1 year parts/90 days misc.

TOP VIEW

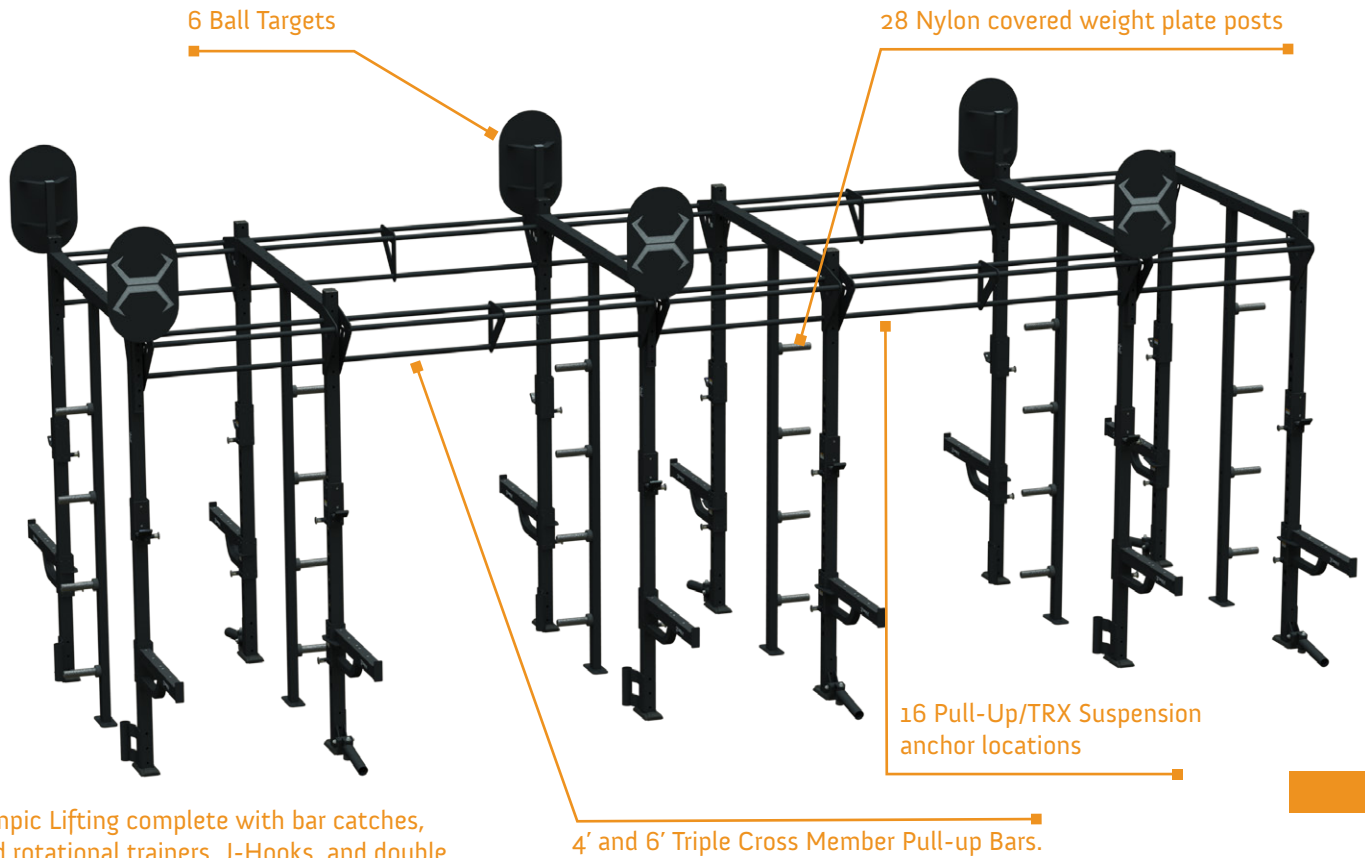


Note: X-Racks are required to be bolted to a concrete sub-floor





24 X 6 STORAGE A2 PACKAGE

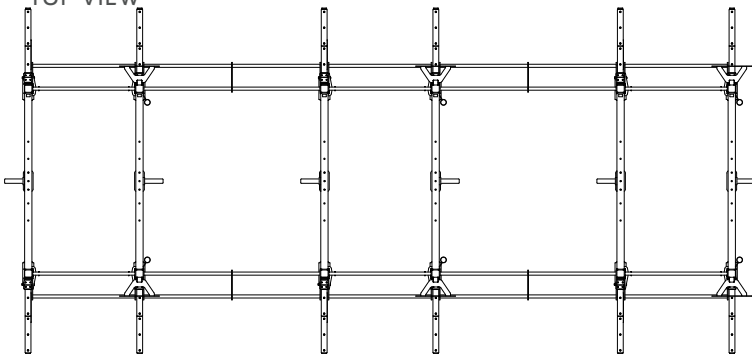


6 Olympic Lifting complete with bar catches, ground rotational trainers, J-Hooks, and double plays (bar storage & battle rope anchor)

4' and 6' Triple Cross Member Pull-up Bars.

Model number	XRS-6-24-A2
Footprint	288.9" x 83.4" (734 cm x 212 cm)
Height	Frame: 107.1" (272 cm) Ball Target: 126.7" (322 cm)
Minimum Required Live Area	29' x 15' (8.8 m x 4.6 m)
Warranty	10 year frame and welds/1 year parts/90 days misc.

TOP VIEW

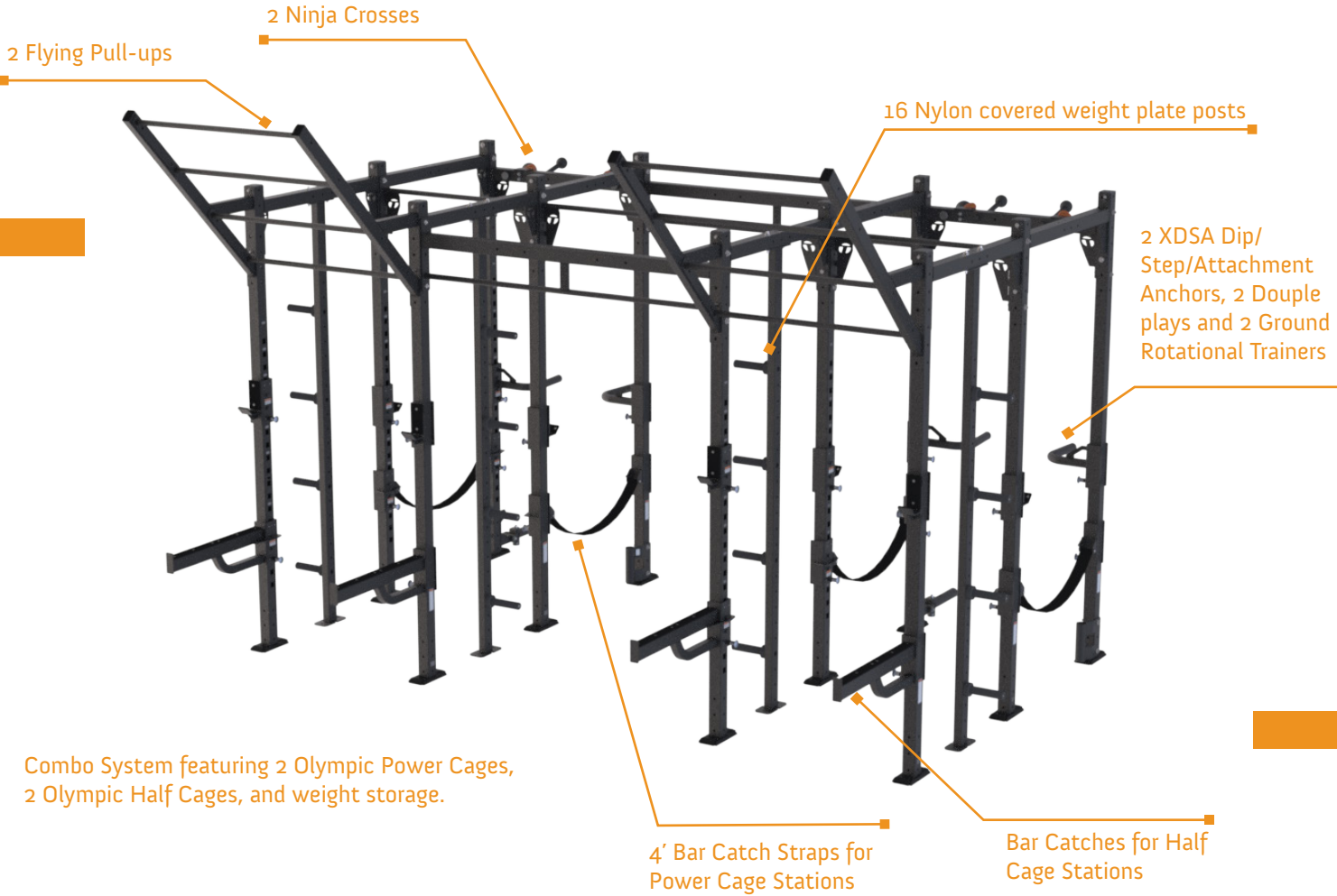


Note: X-Racks are required to be bolted to a concrete sub-floor





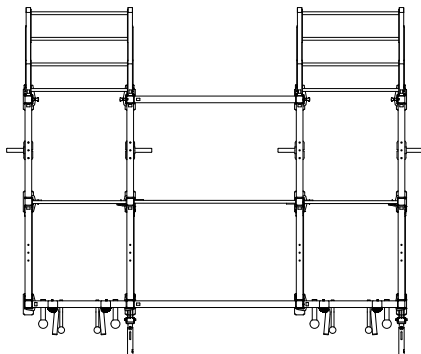
14 X 8 STORAGE A1 PACKAGE



Combo System featuring 2 Olympic Power Cages, 2 Olympic Half Cages, and weight storage.

Model number	XRS-8-14-A1
Footprint	169.0" x 98.7" (429 cm x 251 cm)
Height	Frame: 127.6" (324 cm)
Minimum Required Live Area	19' x 16' (5.8 m x 4.9 m)
Warranty	10 year frame and welds/1 year parts/90 days misc.

TOP VIEW



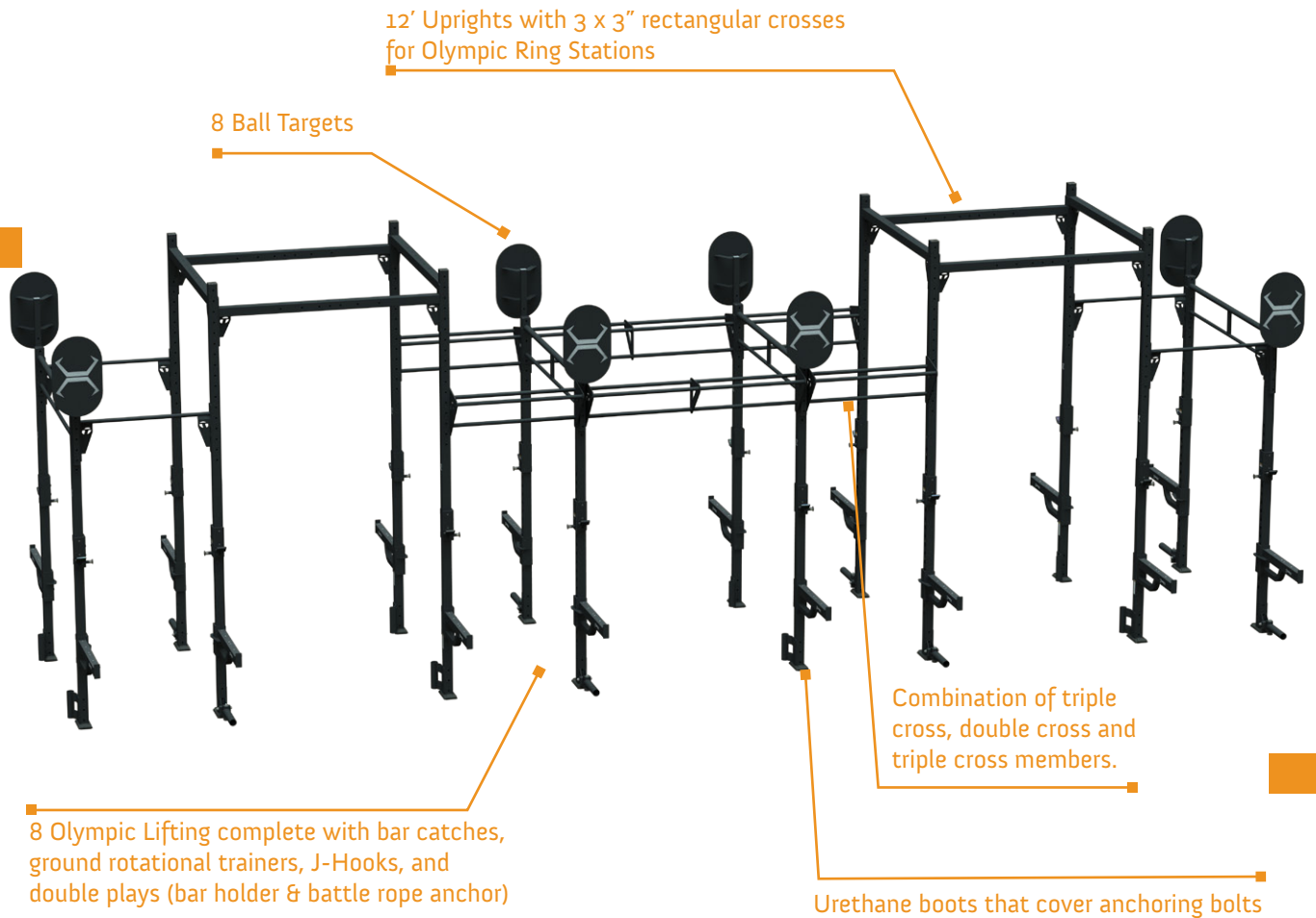
Note: X-Racks are required to be bolted to a concrete sub-floor





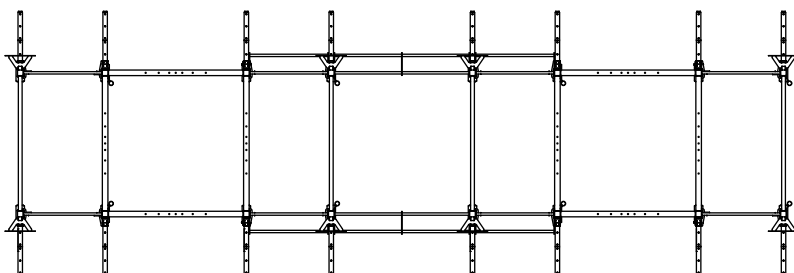
34 X 6 PULL-UP RIG

X1 PACKAGE



Model number	XRFS-6-34-X1
Footprint	404.9" x 83.4" (1028 cm x 212 cm)
Height	Frame: 142.8" (363 cm)
Minimum Required Live Area	39' x 15' (11.9 m x 4.6 m)
Warranty	10 year frame and welds/1 year parts/90 days misc.

TOP VIEW



Note: X-Racks are required to be bolted to a concrete sub-floor





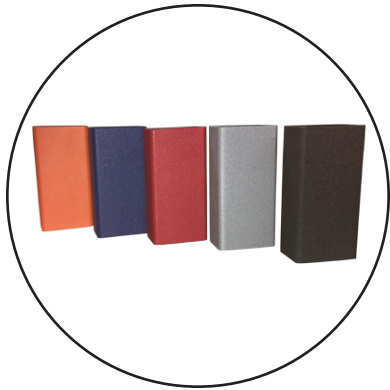
BASE PACKAGES

[WWW.TORQUEFITNESS.COM](http://www.torquefitness.com)



4 FOOT WALL MOUNT RACK

9' 3" x 3" 11 Gauge Uprights with optional colors



Double Crosses can be mounted for use with fat (2") or skinny (1.25") bar pull-up bar. (other pull-up options available)

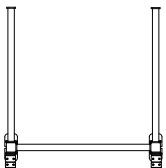
J-Hooks with UHMW wear guards that protect bar and upright

Visit www.torquefitness.com for customizing options and for pre-configured packages

Model number	XRWM-4-4
Footprint	49.0" x 47.8" (124.4 cm x 124.4 cm)
Height	Frame: 107.1" (272 cm) Optional Ball Target: 126.7" (322 cm)
Minimum Required Live Area	9.1' x 10.0' (2.8 m x 3.0 m)
Warranty	10 year frame and welds/1 year parts/90 days misc.

TOP VIEW

Note: X-Racks are required to be bolted to a concrete sub-floor





10 FOOT WALL MOUNT RACK

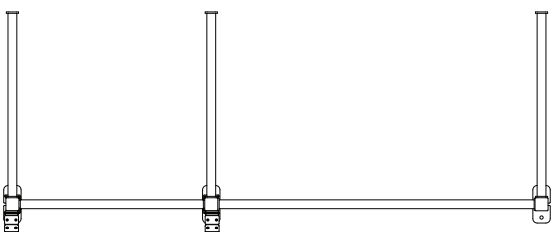


Visit www.torquefitness.com for customizing options and for pre-configured packages

Model number	XRWM-4-10
Footprint	123.9" x 47.8" (314.8 cm x 121.5 cm)
Height	Frame: 107.1" (272 cm) Optional Ball Target: 126.7" (322 cm)
Minimum Required Live Area	12.8' x 10.0' (3.9 m x 3.0 m)
Warranty	10 year frame and welds/1 year parts/90 days misc.

TOP VIEW

Note: X-Racks are required to be bolted to a concrete sub-floor

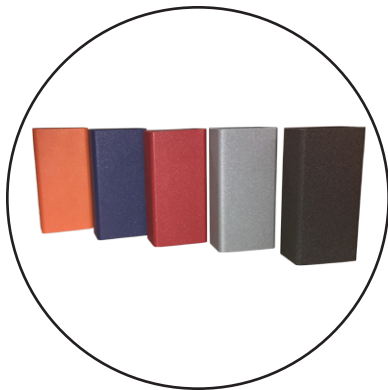




14 FOOT WALL MOUNT RACK

Double Crosses can be mounted for use with fat (2") or skinny (1.25") bar pull-up bar. (other pull-up options available)

9' 3" x 3" 11 Gauge Uprights with optional colors



J-Hooks with UHMW wear guards that protect bar and upright

Visit www.torquefitness.com for customizing options and for pre-configured packages

Model number	XRWM-4-14
Footprint	169.0" x 47.8" (429.2 cm x 121.5 cm)
Height	Frame: 107.1" (272 cm) Optional Ball Target: 126.7" (322 cm)
Minimum Required Live Area	19.1' x 10.0' (5.8 m x 3.0 m)
Warranty	10 year frame and welds/1 year parts/90 days misc.

TOP VIEW

Note: X-Racks are required to be bolted to a concrete sub-floor

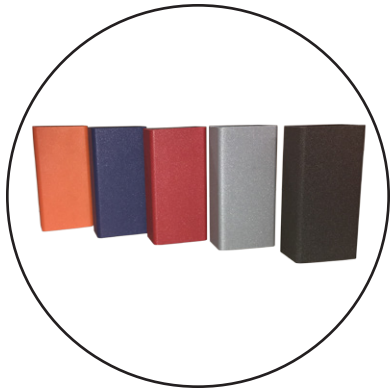




20 FOOT WALL MOUNT RACK

Double Crosses can be mounted for use with fat (2") or skinny (1.25") bar pull-up bar. (other pull-up options available)

9' 3" x 3" 11 Gauge Uprights with optional colors



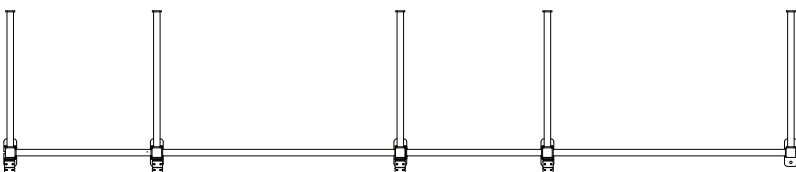
J-Hooks with UHMW wear guards that protect bar and upright

Visit www.torquefitness.com for customizing options and for pre-configured packages

Model number	XRWM-4-20
Footprint	243.9" x 47.8" (619.6 cm x 121.5 cm)
Height	Frame: 107.1" (272 cm) Optional Ball Target: 126.7" (322 cm)
Minimum Required Live Area	22.8' x 10.0' (7.0 m x 3.0 m)
Warranty	10 year frame and welds/1 year parts/90 days misc.

TOP VIEW

Note: X-Racks are required to be bolted to a concrete sub-floor



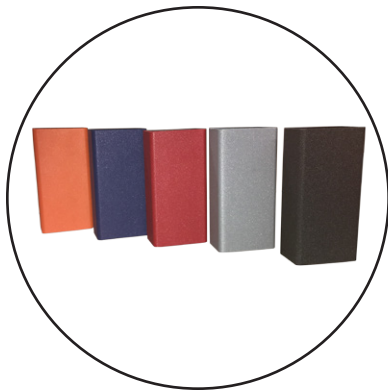


24 FOOT WALL MOUNT RACK

Double Crosses can be mounted for use with fat (2") or skinny (1.25") bar pull-up bar. (other pull-up options available)



9' 3" x 3" 11 Gauge Uprights with optional colors



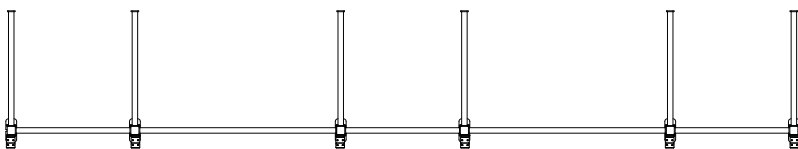
J-Hooks with UHMW wear guards that protect bar and upright

Visit www.torquefitness.com for customizing options and for pre-configured packages

Model number	XRWM-4-24
Footprint	289.0" x 47.8" (734.0 cm x 121.5 cm)
Height	Frame: 107.1" (272 cm) Optional Ball Target: 126.7" (322 cm)
Minimum Required Live Area	29.1' x 10.0' (8.9 m x 3.0 m)
Warranty	10 year frame and welds/1 year parts/90 days misc.

TOP VIEW

Note: X-Racks are required to be bolted to a concrete sub-floor



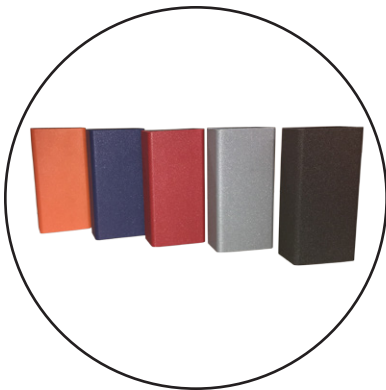


30 FOOT WALL MOUNT RACK

Double Crosses can be mounted for use with fat (2") or skinny (1.25") bar pull-up bar. (other pull-up options available)

9' 3" x 3" 11 Gauge Uprights with optional colors

J-Hooks with UHMW wear guards that protect bar and upright

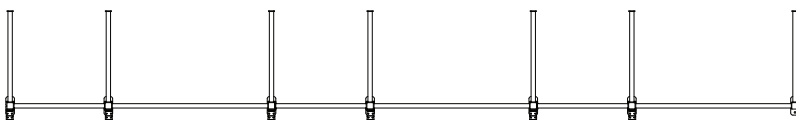


Visit www.torquefitness.com for customizing options and for pre-configured packages

Model number	XRWM-4-30
Footprint	363.9" x 47.8" (924.4 cm x 121.5 cm)
Height	Frame: 107.1" (272 cm) Optional Ball Target: 126.7" (322 cm)
Minimum Required Live Area	32.8' x 10.0' (10.0 m x 3.0 m)
Warranty	10 year frame and welds/1 year parts/90 days misc.

TOP VIEW

Note: X-Racks are required to be bolted to a concrete sub-floor



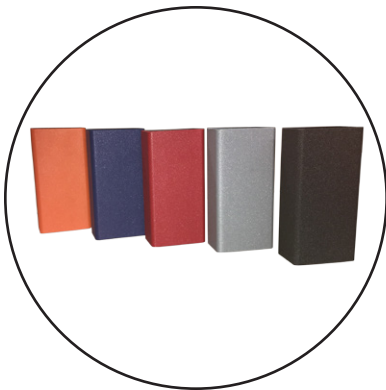


34 FOOT WALL MOUNT RACK

Double Crosses can be mounted for use with fat (2") or skinny (1.25") bar pull-up bar. (other pull-up options available)

9' 3" x 3" 11 Gauge Uprights with optional colors

J-Hooks with UHMW wear guards that protect bar and upright



Visit www.torquefitness.com for customizing options and for pre-configured packages

Model number	XRWM-4-34
Footprint	409.0" x 47.8" (1038.8 cm x 121.5 cm)
Height	Frame: 107.1" (272 cm) Optional Ball Target: 126.7" (322 cm)
Minimum Required Live Area	39.1' x 10.0' (11.9 m x 3.0 m)
Warranty	10 year frame and welds/1 year parts/90 days misc.

TOP VIEW

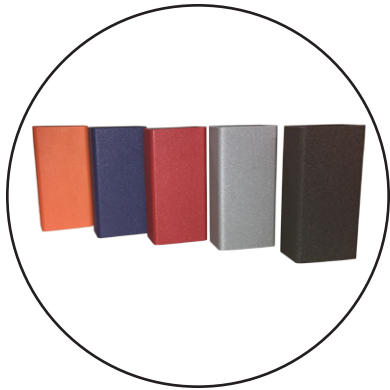
Note: X-Racks are required to be bolted to a concrete sub-floor





4 FOOT FREE STANDING RACK

9' 3" x 3" 11 Gauge Uprights with optional colors



Double Crosses can be mounted for use with fat (2") or skinny (1.25") bar pull-up bar. (other pull-up options available)

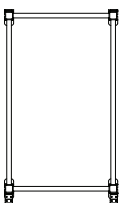
J-Hooks with UHMW wear guards that protect bar and upright

Visit www.torquefitness.com for customizing options and for pre-configured packages

Model number	XRFS-6-4
Footprint	49.0" x 83.4" (124.4 cm x 211.9 cm)
Height	Frame: 107.1" (272 cm) Optional Ball Target: 126.7" (322 cm)
Minimum Required Live Area	9.1' x 19.0' (2.8 m x 5.8 m)
Warranty	10 year frame and welds/1 year parts/90 days misc.

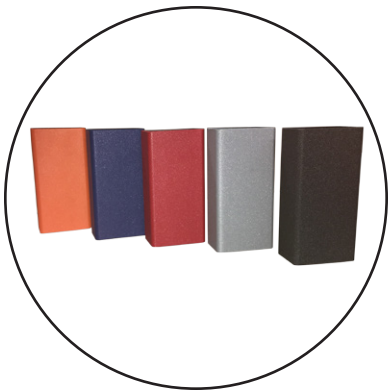
TOP VIEW

Note: X-Racks are required to be bolted to a concrete sub-floor





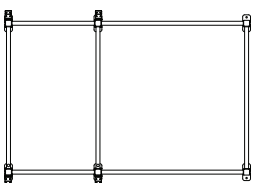
10 FOOT FREE STANDING RACK



Visit www.torquefitness.com for customizing options and for pre-configured packages

Model number	XRFS-6-10
Footprint	123.9" x 83.4" (314.8 cm x 211.9 cm)
Height	Frame: 107.1" (272 cm) Optional Ball Target: 126.7" (322 cm)
Minimum Required Live Area	12.8' x 19.0' (3.9 m x 5.8 m)
Warranty	10 year frame and welds/1 year parts/90 days misc.

TOP VIEW



Note: X-Racks are required to be bolted to a concrete sub-floor

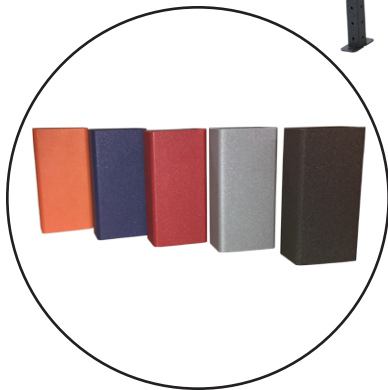




14 FOOT FREE STANDING RACK

9' 3" x 3" 11 Gauge Uprights with optional colors

Double Crosses can be mounted for use with fat (2") or skinny (1.25") bar pull-up bar. (other pull-up options available)



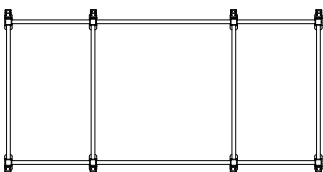
J-Hooks with UHMW wear guards that protect bar and upright

Visit www.torquefitness.com for customizing options and for pre-configured packages

Model number	XRFS-6-14
Footprint	169.0" x 83.4" (429.2 cm x 211.9 cm)
Height	Frame: 107.1" (272 cm) Optional Ball Target: 126.7" (322 cm)
Minimum Required Live Area	19.1' x 19.0' (5.8 m x 5.8 m)
Warranty	10 year frame and welds/1 year parts/90 days misc.

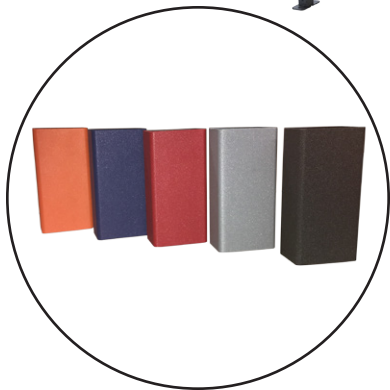
TOP VIEW

Note: X-Racks are required to be bolted to a concrete sub-floor





20 FOOT FREE STANDING RACK

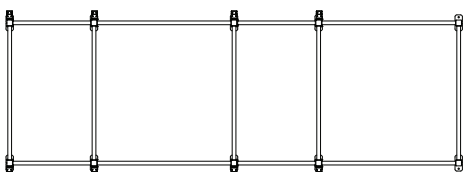


Visit www.torquefitness.com for customizing options and for pre-configured packages

Model number	XRFS-6-20
Footprint	243.9" x 83.4" (619.6 cm x 211.9 cm)
Height	Frame: 107.1" (272 cm) Optional Ball Target: 126.7" (322 cm)
Minimum Required Live Area	22.8' x 19.0' (7.0 m x 5.8 m)
Warranty	10 year frame and welds/1 year parts/90 days misc.

TOP VIEW

Note: X-Racks are required to be bolted to a concrete sub-floor



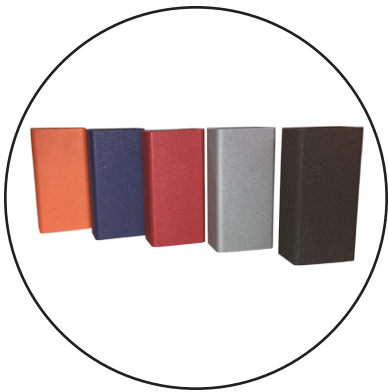


24 FOOT FREE STANDING RACK

Double Crosses can be mounted for use with fat (2") or skinny (1.25") bar pull-up bar. (other pull-up options available)

9' 3" x 3" 11 Gauge Uprights with optional colors

J-Hooks with UHMW wear guards that protect bar and upright

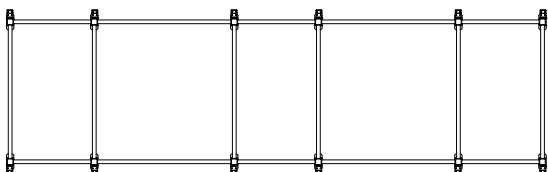


Visit www.torquefitness.com for customizing options and for pre-configured packages

Model number	XRFS-6-24
Footprint	289.0" x 83.4" (734.0 cm x 211.9 cm)
Height	Frame: 107.1" (272 cm) Optional Ball Target: 126.7" (322 cm)
Minimum Required Live Area	29.1' x 19.0' (8.9 m x 5.8 m)
Warranty	10 year frame and welds/1 year parts/90 days misc.

TOP VIEW

Note: X-Racks are required to be bolted to a concrete sub-floor



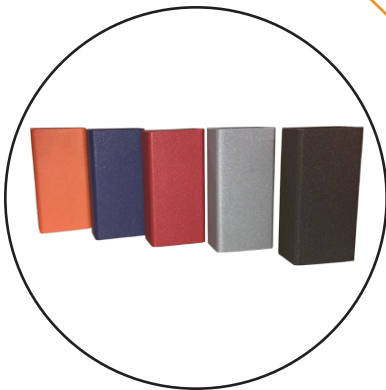


30 FOOT FREE STANDING RACK

Double Crosses can be mounted for use with fat (2") or skinny (1.25") bar pull-up bar. (other pull-up options available)



9' 3" x 3" 11 Gauge Uprights with optional colors



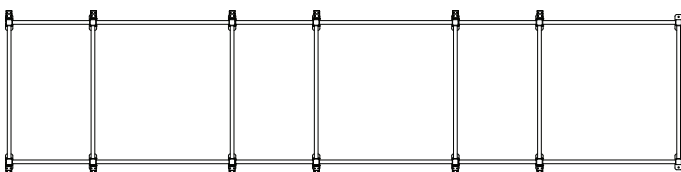
J-Hooks with UHMW wear guards that protect bar and upright

Visit www.torquefitness.com for customizing options and for pre-configured packages

Model number	XRFS-6-30
Footprint	363.9" x 83.4" (924.4 cm x 211.9 cm)
Height	Frame: 107.1" (272 cm) Optional Ball Target: 126.7" (322 cm)
Minimum Required Live Area	32.8' x 19.0' (10.0 m x 5.8 m)
Warranty	10 year frame and welds/1 year parts/90 days misc.

TOP VIEW

Note: X-Racks are required to be bolted to a concrete sub-floor



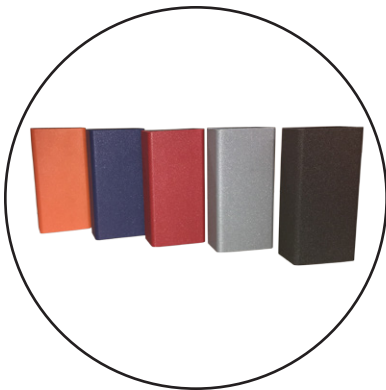


34 FOOT FREE STANDING RACK

Double Crosses can be mounted for use with fat (2") or skinny (1.25") bar pull-up bar. (other pull-up options available)

9' 3" x 3" 11 Gauge Uprights with optional colors

J-Hooks with UHMW wear guards that protect bar and upright

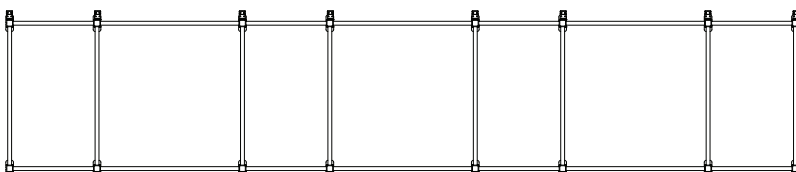


Visit www.torquefitness.com for customizing options and for pre-configured packages

Model number	XRFS-6-34
Footprint	409.0" x 83.4" (1038.8 cm x 211.9 cm)
Height	Frame: 107.1" (272 cm) Optional Ball Target: 126.7" (322 cm)
Minimum Required Live Area	39.1' x 19.0' (11.9 m x 5.8 m)
Warranty	10 year frame and welds/1 year parts/90 days misc.

TOP VIEW

Note: X-Racks are required to be bolted to a concrete sub-floor



2017 X-SERIES COMPONENTS

ACCESSORY TRAY



Product Code: AT

Description

- 39.6 in x 12.0 in (305 mm x 1007 mm)
- Compatible with all X-Lab Systems.
- Up to four can be per storage station.

Compatibility

X-Create	
X-Lab	√
X-Rack	
X-Siege	
X-Cage	
Arsenal	
Armament	

BAR CATCHES (2 Pieces - pair)



Product code: BC

Description

- Sold as a pair.
- UHMW wear guards protect uprights and Olympic Bar.
- 675 (306 kg) maximum training weight.
- Compatible with X-Rack, X-Siege, X-Cage, Arsenal, and Armament.

Compatibility

X-Create	
X-Lab	
X-Rack	√
X-Siege	√
X-Cage	√
Arsenal	√
Armament	√

2017 X-SERIES COMPONENTS

J-HOOK BAR SUPPORTS (2 Pieces - pair)



Product code: BS

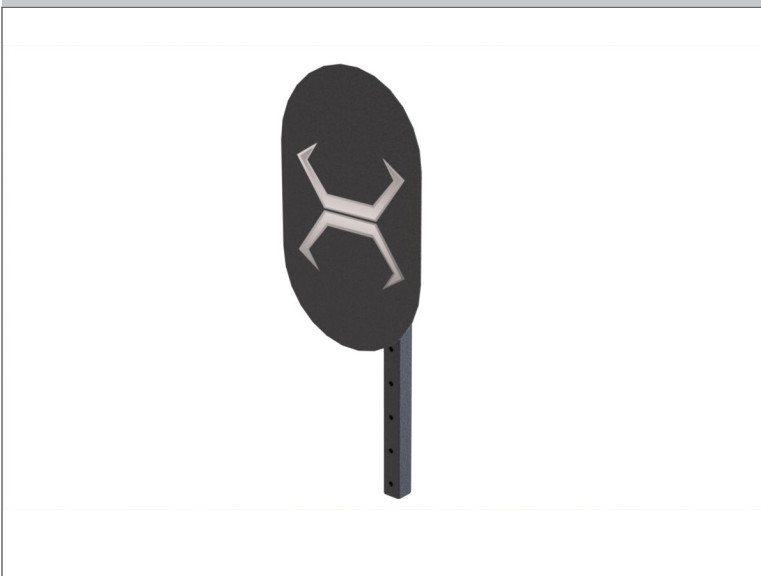
Description

- Standard with all Racks and Cages.
- UHMW wear guards protect uprights and Olympic Bar.
- 875 lb (397 kg) maximum training weight.
- Aluminum spring pins prevent disengagement with the uprights.

Compatibility

X-Create	
X-Lab	
X-Rack	√
X-Siege	√
X-Cage	√
Arsenal	√
Armament	√

BALL TARGET



Product Code: BT

Description

- Oval design allows for 8' and 10' target heights.
- Fully welded construction with no bolts on target that could damage wall balls.
- Compatible with all X-Series systems except 7' Arsenal and Squat Stand.

Compatibility

X-Create	
X-Lab	√
X-Rack	√
X-Siege	√
X-Cage	√
Arsenal	√
Armament	√

2017 X-SERIES COMPONENTS

DOUBLE PLAY



Product Code: DP

Description

- Attaches to X-Lab, X-Rack, Arsenal and Armament uprights.
- Holds Olympic Bar and provides an anchor for battle ropes.

Compatibility

X-Create	
X-Lab	√
X-Rack	√
X-Siege	
X-Cage	
Arsenal	√
Armament	√

DIGITAL X-LAB TRAINING AND PROGRAMMING GUIDE



Product code: DTPG

Description

- Provides instruction on X-Lab set-up for attachments and accessories.
- Provides graphical instruction on movements using attachments and accessories.
- Downloadable .pdf format can be viewed on computers, phones or tablets.

Compatibility

X-Create	
X-Lab	√
X-Rack	
X-Siege	
X-Cage	
Arsenal	
Armament	

2017 X-SERIES COMPONENTS

GROUND ROTATIONAL TRAINER



Product code: GRT

Description

- Also referred to as a Landmine.
- Provides three dimensional rotation movements.
- Sized for use with an Olympic Bar.
- Compatible with all X-Series systems.
- Folds up against upright when not in use. (on X-Rack and X-Lab only)

Compatibility

X-Create	
X-Lab	√
X-Rack	√
X-Siege	
X-Cage	√
Arsenal	√
Armament	√

HEAVY BAG ANCHOR



Product Code: HBA

Description

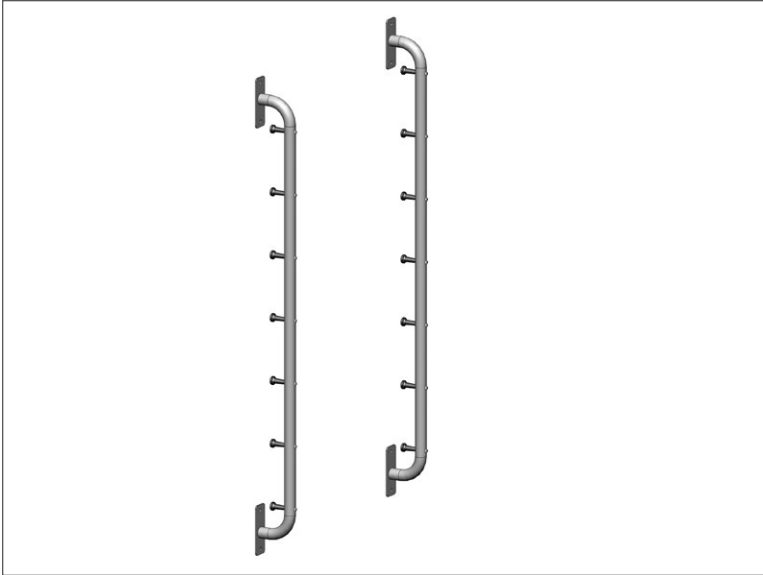
- Mounts to X-Lab frames (except Monkey and Edge).
- Includes eye bolt to attach heavy bag.
- Heavy bag not included.

Compatibility

X-Create	
X-Lab	√
X-Rack	
X-Siege	
X-Cage	
Arsenal	
Armament	

2017 X-SERIES COMPONENTS

RESISTANCE BAND ANCHOR



Product Code: RBA

Description

- Attaches to the front of the Power Cage or can be wall mounted.
- Allows for use of power bands, Ripp Training, and battle ropes.
- High gloss platinum powder coat finish.

Compatibility

X-Create	
X-Lab	
X-Rack	
X-Siege	
X-Cage	√
Arsenal	
Armament	

STEP UP



Product code: SU

Description

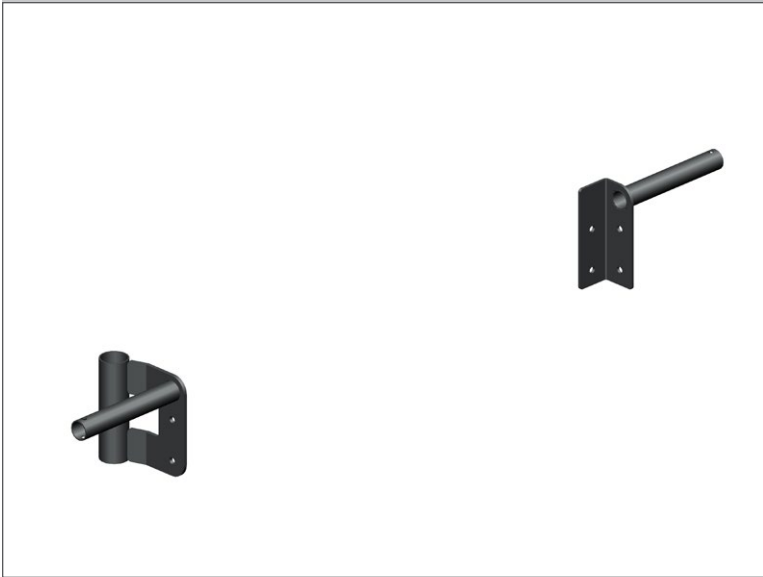
- Attaches to most X-Lab uprights.
- Provides a secure step-up to reach the pull-up bars.
- Also can be used as a battle rope anchor.

Compatibility

X-Create	
X-Lab	√
X-Rack	
X-Siege	
X-Cage	
Arsenal	
Armament	

2017 X-SERIES COMPONENTS

TRIPLE PLAY (2 Pieces - set)



Product Code: TP

Description

- Functions as weight plate storage, Olympic Bar Storage and as a battle rope anchor.
- Compatible with Squat Stand, X-Racks, Arsenal and Armament Systems.

Compatibility

X-Create	
X-Lab	
X-Rack	√
X-Siege	
X-Cage	
Arsenal	√
Armament	√

UNIVERSAL HEAVY BAG MOUNT



Product code: UHBM

Description

- Can be mounted straight out or at an angle.
- Attaches to all X-Series Systems.
- Includes eye bolt for hanging heavy bag.
- Heavy Bag not included.

Compatibility

X-Create	
X-Lab	√
X-Rack	√
X-Siege	√
X-Cage	√
Arsenal	√
Armament	√

2017 X-SERIES COMPONENTS

WEIGHT STORAGE NUMBERING KIT, 10-45 lb



Product Code: WSNK10-45

Description

- Molded caps snap over weight peg bolts to provide location indicators for bumper plates.
- Includes six each of 10, 25, 35, and 45 lb indicators
- Compatible with all X-Series products with weight pegs.

Compatibility

X-Create	
X-Lab	
X-Rack	√
X-Siege	√
X-Cage	√
Arsenal	√
Armament	√

CABLE COLUMN ANGLE CONNECTOR (QTY 2)



Product Code: XCCAC

Description

- Compatible with X-Lab Systems.
- Allows Cable Component Station (XCCS) to be mounted to X-Lab upright at a 45 degree angle as shown on the XLE-X4 System.
- Set of two brackets allow one XCCS to be mounted.

Compatibility

X-Create	
X-Lab	√
X-Rack	
X-Siege	
X-Cage	
Arsenal	
Armament	

2017 X-SERIES COMPONENTS

CABLE COMPONENT STATION



Product Code: XCCS

Description

- Dual swivel pulleys for isolateral movements.
- Mounts to walls, X-Labs, X-Racks and X-Siege Systems with 9' uprights.
- 185 lb (84 kg) weight stack with 1:2 ratio.

Compatibility

X-Create	
X-Lab	√
X-Rack	√
X-Siege	√
X-Cage	
Arsenal	
Armament	

3-DIMENSIONAL SWIVEL



Product Code: XCREATE-3DS

Description

- Connects to X-Create uprights.
- Allows heavy bags to swivel and rotate smoothly on bronze oil impregnated bearings.

Compatibility

X-Create	√
X-Lab	
X-Rack	
X-Siege	
X-Cage	
Arsenal	
Armament	

2017 X-SERIES COMPONENTS

3-DIMENSIONAL SWIVEL WITH MOUNT



Product Code: XCREATE-3DSM

Description

- Connects to X-Create and X-Rack Monkey Bar and Rectangular Crosses.
- Allows heavy bags to swivel and rotate smoothly on bronze oil impregnated bearings.

Compatibility

X-Create	√
X-Lab	
X-Rack	√
X-Siege	√
X-Cage	
Arsenal	
Armament	

4 FOOT ACCESSORY TRAY



Product Code: XCREATE-4AT

Description

- Over built to handle your heaviest accessories.
- Includes thick molded rubber tray cover to absorb sound and prevent scratches.
- Can be mounted at an angle for ergonomic placement and retrieval of dumbbells.

Compatibility

X-Create	√
X-Lab	
X-Rack	
X-Siege	
X-Cage	
Arsenal	
Armament	

2017 X-SERIES COMPONENTS

4 FOOT BALL & HANGING STORAGE



Product Code: XCREATE-4BHS

Description

- Adjustable rails support balls of various diameters.
- Fixed pegs support resistance bands and other hanging accessories while horizontally adjustable peg fits hanging exercise mats.
- Fills one module space.

Compatibility

X-Create	√
X-Lab	
X-Rack	
X-Siege	
X-Cage	
Arsenal	
Armament	

4 FOOT BALL STORAGE



Product Code: XCREATE-4BS

Description

- Minimalist rack for ball storage.
- Three horizontal beam mounting locations to fit multiple ball diameters.

Compatibility

X-Create	√
X-Lab	
X-Rack	
X-Siege	
X-Cage	
Arsenal	
Armament	

2017 X-SERIES COMPONENTS

BALL TARGET WALL



Product Code: XCREATE-BTW

Description

- Ball Target Wall split up into three different zones - low, mid and high.
- Phenolic resin laminated board is supported by steel frame with impact dampening foam.

Compatibility

X-Create	√
X-Lab	
X-Rack	
X-Siege	
X-Cage	
Arsenal	
Armament	

4 FOOT FUNCTIONAL BAR



Product Code: XCREATE-4FB

Description

- Mounts to bottom of X-Create 4 foot monkey bar crosses.
- Provides a pull-up station or anchor for suspension training straps.

Compatibility

X-Create	√
X-Lab	
X-Rack	
X-Siege	
X-Cage	
Arsenal	
Armament	

2017 X-SERIES COMPONENTS

4 FOOT MONKEY BAR CROSS



Product Code: XCREATE-4MBX

Description

- 4 foot (1.2 m) rectangular cross used in X-Create Bridge configurations.
- Combined with the XCREATE-6MBX, allows for bridge span increments of 2 feet (.61 m)
- High Gloss Platinum II powder coat finish.

Compatibility

X-Create	√
X-Lab	
X-Rack	
X-Siege	
X-Cage	
Arsenal	
Armament	

4 FOOT STALL BARS



Product Code: XCREATE-4SB

Description

- (12) 1.25 in (32 mm) diameter rungs for targeted stretching, body weight and resistance training.
- Textured storm grey powder coat paint provides sure grip.

Compatibility

X-Create	√
X-Lab	
X-Rack	
X-Siege	
X-Cage	
Arsenal	
Armament	

2017 X-SERIES COMPONENTS

4 FOOT SINGLE CROSS



Product Code: XCREATE-4SX

Description

- 1.25 inch diameter pull-up bar featuring “thru-plate” construction with gussets.
- Textured paint provides sure grip.

Compatibility

X-Create	√
X-Lab	
X-Rack	
X-Siege	
X-Cage	
Arsenal	
Armament	

6 FOOT FUNCTIONAL BAR



Product Code: XCREATE-6FB

Description

- Mounts to bottom of X-Create 6 foot monkey bar crosses.
- Provides pull-up stations or anchors for suspension training straps.

Compatibility

X-Create	√
X-Lab	
X-Rack	
X-Siege	
X-Cage	
Arsenal	
Armament	

2017 X-SERIES COMPONENTS

6 FOOT MONKEY BAR CROSS



Product Code: XCREATE-6MBX

Description

- 6 foot (1.8 m) rectangular cross used in X-Create Bridge configurations.
- Combined with the XCREATE-4MBX, allows for bridge span increments of 2 feet (.61 m)
- High Gloss Platinum II powder coat finish.

Compatibility

X-Create	√
X-Lab	
X-Rack	
X-Siege	
X-Cage	
Arsenal	
Armament	

8 FOOT UPRIGHT



Product Code: XCREATE-8U

Description

- 3" x 5" 11 gauge construction provides a solid structure for all X-Create systems.
- High Gloss Platinum II powder coat finish.
- Includes rubber molded feet that hide floor anchoring holes.

Compatibility

X-Create	√
X-Lab	
X-Rack	
X-Siege	
X-Cage	
Arsenal	
Armament	

2017 X-SERIES COMPONENTS

BALL TARGET



Product Code: XCREATE-BT

Description

- Upper Wall Ball Target attaches to X-Create Uprights and provides both a 9 foot (2.7 m) and 10 foot (3.0 m) target height.

Compatibility

X-Create	√
X-Lab	
X-Rack	
X-Siege	
X-Cage	
Arsenal	
Armament	

BALL & HANGING STORAGE EXTENSION



Product Code: XCREATE-BHSE

Description

- Add more storage to the end of X-Rack and X-Siege systems.
- Sized to hold a stability ball of any diameter.
- Adjustable pegs allow storage of hanging mats, resistance bands, handles and more.

Compatibility

X-Create	√
X-Lab	
X-Rack	√
X-Siege	
X-Cage	
Arsenal	
Armament	

2017 X-SERIES COMPONENTS

DOUBLE PLAY - BAR & PLATE STORAGE



Product Code: XCREATE-DP

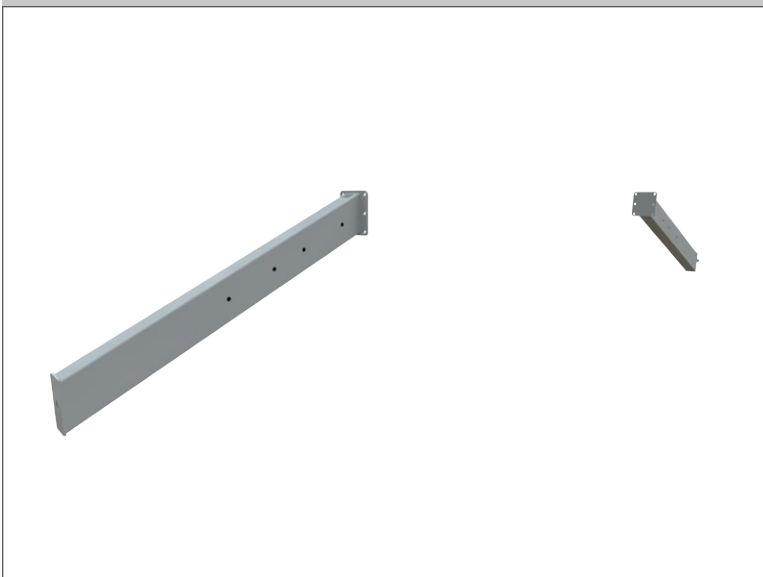
Description

- Attaches to X-Create Upright Base to provide storage for Olympic bars and weight plates up to 16.5 in (42 cm) in diameter. (Fits most 25 lb weight plates)
- Solid weight horn shaft is covered with molded nylon cover and bumper to protect weight plates.

Compatibility

X-Create	√
X-Lab	
X-Rack	
X-Siege	
X-Cage	
Arsenal	
Armament	

MONKEY BAR CROSS EXTENSION



Product Code: XCREATE-MBXE

Description

- Links X-Create Uprights to Monkey Bar Crosses in X-Create Bridge Systems.
- High Gloss Platinum II powder coat finish.
- Sold as 2 pieces - pair.

Compatibility

X-Create	√
X-Lab	
X-Rack	
X-Siege	
X-Cage	
Arsenal	
Armament	

2017 X-SERIES COMPONENTS

DIP/STEP/ATTACHMENT ANCHOR



Product Code: XDSA

Description

- Interlocks with X-Rack, X-Siege & X-Cage Uprights for adjustable height dip movements.
- Also can be used as a Step-Up to reach pull-up or monkey bars.
- Gussets have openings to be used with resistance band for adjustable height anchors.

Compatibility

X-Create	
X-Lab	
X-Rack	√
X-Siege	√
X-Cage	√
Arsenal	√
Armament	√

ENDLESS ROPE DRUM



Product Code: XERD

Description

- Endless rope features a variable resistance magnet brake that requires no adjustments.
- Included brackets allow for mounting to almost all Torque systems.

Compatibility

X-Create	√
X-Lab	√
X-Rack	√
X-Siege	√
X-Cage	√
Arsenal	√
Armament	√

2017 X-SERIES COMPONENTS

HALF CAGE GROUND ROTATIONAL TRAINER



Product Code: XHCGRT

Description

- Compatible with the latest version of the Torque Half Cage System, the XHCGRT mounts to the base and allows for rotational movements off the front of the Half Cage saving floor space.
- Molded bumper provides stationary storage location for pivot.

Compatibility

X-Create	
X-Lab	
X-Rack	
X-Siege	
X-Cage	√
Arsenal	
Armament	

HORIZONTAL MOUNT GROUND ROTATIONAL TRAINER



Product Code: XHMGRT

Description

- Mounts to the base of X-Create Uprights and to the Lower Resistance Band Attachment Option on X-Rack and X-Siege Systems.
- Provides rotational movements off the front of the stations saving floor space.
- Molded rubber bumper provides stationary storage location for pivot.

Compatibility

X-Create	√
X-Lab	
X-Rack	√
X-Siege	√
X-Cage	
Arsenal	
Armament	

2017 X-SERIES COMPONENTS

X-LAB TRIANGLE



Product Code: XLAB-101

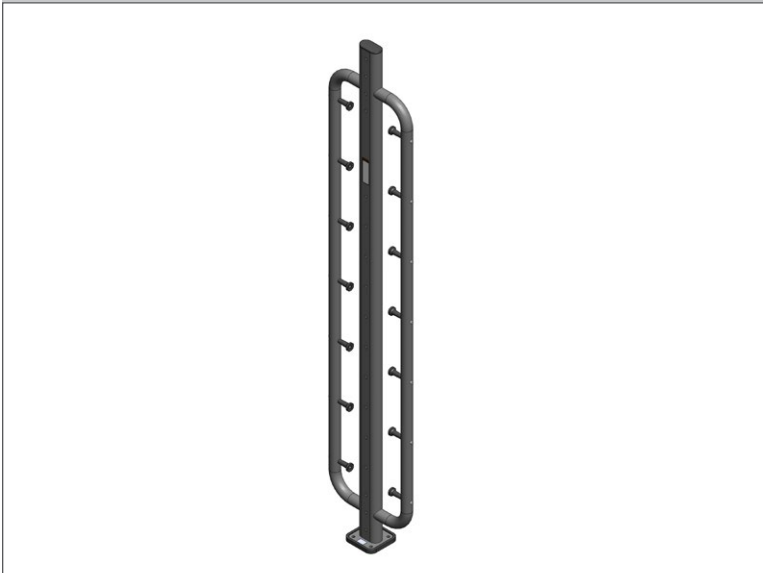
Description

- Can be mounted with 2" or 1.25" diameter pull-up handles down.
- Compatible only with X-Lab Spider and Classroom Systems.

Compatibility

X-Create	
X-Lab	√
X-Rack	
X-Siege	
X-Cage	
Arsenal	
Armament	

X-LAB RBA UPRIGHT



Product Code: XLAB-301

Description

- Used on all X-Labs, the resistance band uprights allow for multiple height mounting points for resistance bands and Ripp trainers.
- Includes rubber foot.
- Holes allow for accessory trays to be mounted.
- Available in Platinum, Illusion Orange and Red.

Compatibility

X-Create	
X-Lab	√
X-Rack	
X-Siege	
X-Cage	
Arsenal	
Armament	

2017 X-SERIES COMPONENTS

X-LAB CROSS SUPPORT



Product Code: XLAB-401

Description

- Used on all X-Labs, this member ties uprights together at the top of the frame.

X-Create	
X-Lab	√
X-Rack	
X-Siege	
X-Cage	
Arsenal	
Armament	

X-LAB UNIVERSAL UPRIGHT (Qty 2)



Product Code: XLAB-501

Description

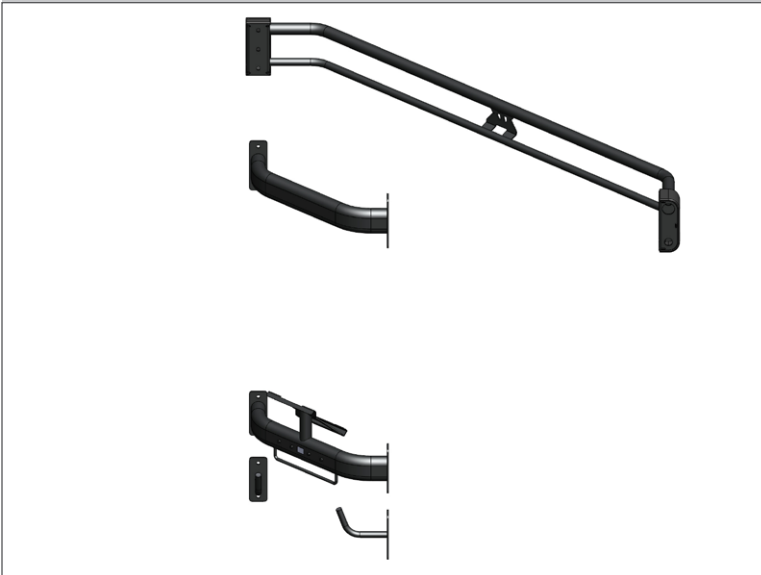
- Sold in pairs, these uprights include rubber feet and can be substituted with the XLAB-201 to allow the use of Accessory Trays.
- Step-Ups (SU) sold separately.
- Available in Platinum, Illusion Orange and Red.

Compatibility

X-Create	
X-Lab	√
X-Rack	
X-Siege	
X-Cage	
Arsenal	
Armament	

2017 X-SERIES COMPONENTS

X-LAB FRAME SUPPORTS



Product Code: XLAB-601

Description

- Pull-up bar and frame supports used with the X-Lab Edge and some X-Lab Monkey Systems.

X-Create	
X-Lab	√
X-Rack	
X-Siege	
X-Cage	
Arsenal	
Armament	

X-LAB 4-SIDED UPRIGHT



Product Code: XLAB-701

Description

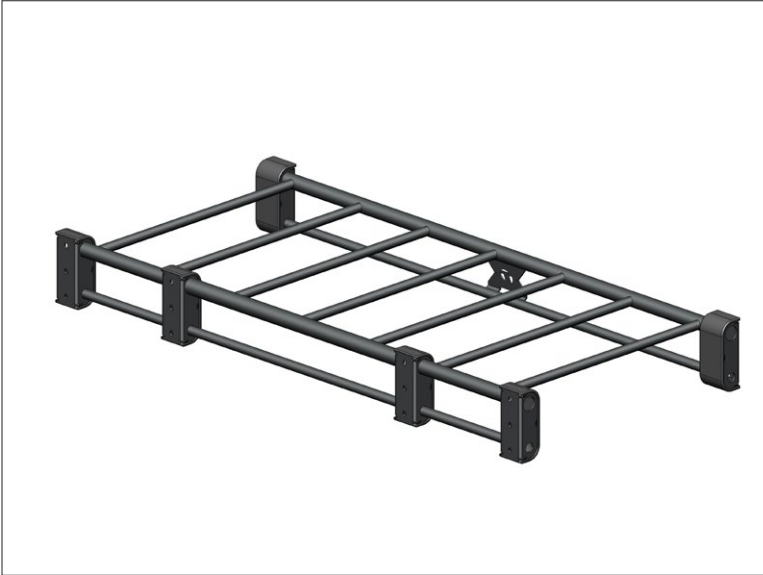
- Used in some X-Lab configurations that utilize the XCCS Cable Component Station.
- The uprights comes with rubber feet, and provide mounting locations for accessory trays and for attachments on all four sides.
- Available in Platinum, Illusion Orange and Red.

Compatibility

X-Create	
X-Lab	√
X-Rack	
X-Siege	
X-Cage	
Arsenal	
Armament	

2017 X-SERIES COMPONENTS

7-HANDLE MONKEY BAR



Product code: XLAB-7HMB

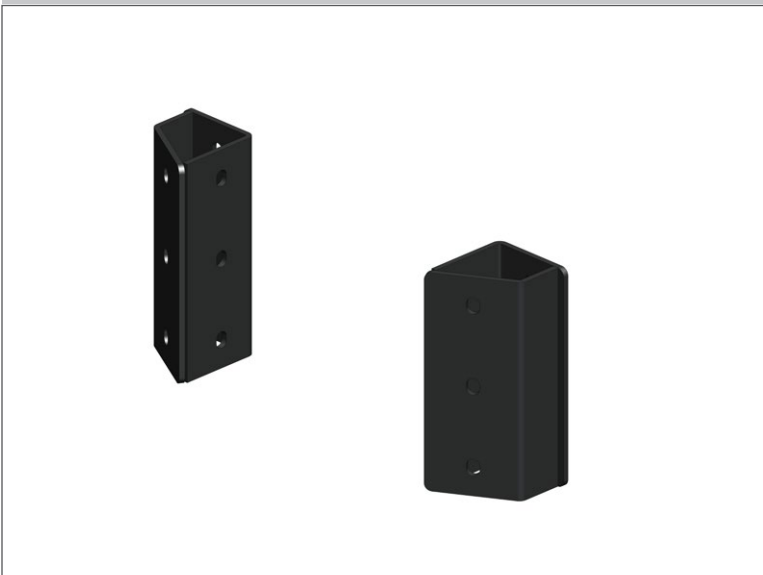
Description

- Fully welded construction and includes side bars for pull-ups or suspension straps.
- Used with X-Lab Monkey Systems.
- Can be mounted to up to six uprights and allows for the attachment of Ball Targets or the Universal Heavy Bag Mount.

Compatibility

X-Create	
X-Lab	√
X-Rack	
X-Siege	
X-Cage	
Arsenal	
Armament	

30 DEGREE ANGLE BRACKET (Quantity 2)



Product Code: XLAB-801

Description

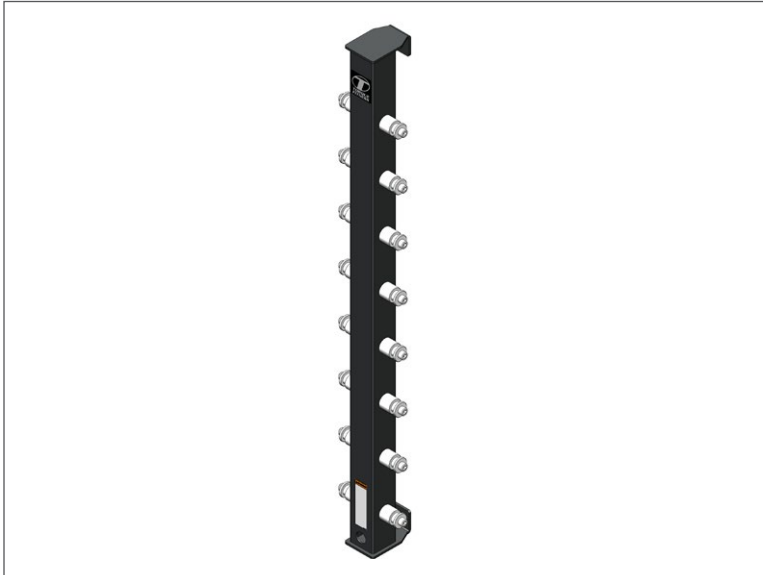
- Mounts to all X-Lab uprights in order to angle out accessory trays
- Standard component on X-Lab Monkey X2 and Edge X4.

Compatibility

X-Create	
X-Lab	√
X-Rack	
X-Siege	
X-Cage	
Arsenal	
Armament	

2017 X-SERIES COMPONENTS

ATTACHMENT ANCHOR (Required with XLAB-DA and XLAB-PS)



Product Code: XLAB-AA

Description

- Mounts to all X-Lab and X-Create uprights for use with the Dip and Plyo Step Attachments.
- Machined chrome plated pegs keep attachments secure and easy to attach and remove.

Compatibility

X-Create	√
X-Lab	√
X-Rack	
X-Siege	
X-Cage	
Arsenal	
Armament	

DIP ATTACHMENT (XLAB-AA Required)



Product code: XLAB-DA

Description

- Used in conjunction with the XLAB-AA Attachment Anchor.
- The open design lends itself to visually guiding the attachment into place for easy attachments and adjustments and includes an integrated handle.

Compatibility

X-Create	√
X-Lab	√
X-Rack	
X-Siege	
X-Cage	
Arsenal	
Armament	

2017 X-SERIES COMPONENTS

PLYO-STEP (XLAB-AA Required)



Product code: XLAB-PS

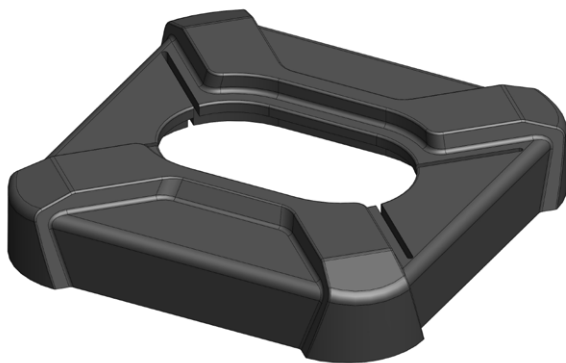
Description

- Used in conjunction with the XLAB-AA Attachment Anchor.
- The open design lends itself to visually guiding the attachment into place for easy attachments and adjustments and includes an integrated handle.

Compatibility

X-Create	√
X-Lab	√
X-Rack	
X-Siege	
X-Cage	
Arsenal	
Armament	

X-LAB BOOT



Product code: XLBOOT

Description

- Compatible with all X-Lab uprights.
- Boot provides a decorative cover of the base plates and floor mounting bolts and makes clean up easier around the X-Lab Systems.

Compatibility

X-Create	
X-Lab	√
X-Rack	
X-Siege	
X-Cage	
Arsenal	
Armament	

2017 X-SERIES COMPONENTS

PULL-UP SIDE



Product Code: XPUS

Description

- Individual side component for X-Series Wall-Mounted Pull-Up Systems used to add-on to 12' systems. Compatible with X-Racks paired with monkey bars for crosses.
- Raises X-Rack to height of 115.6 in (294 cm) to 119.1 in (302 cm) depending on set-up.

Compatibility

X-Create	
X-Lab	
X-Rack	√
X-Siege	√
X-Cage	
Arsenal	
Armament	

3 Foot Upright Extension (Quantity 2)



Product Code: XRACK-3UE

Description

- Designed for use with the XRACK-12U 12' uprights to bring the rack height up to 15' to allow for climbing ropes.
- Four L-Brackets are used to secure extensions to the uprights for complete stability.

Compatibility

X-Create	
X-Lab	
X-Rack	√
X-Siege	
X-Cage	
Arsenal	
Armament	

2017 X-SERIES COMPONENTS

4 FOOT BAR CATCH STRAPS (2 PIECES - PAIR)



Product Code: XRACK-4BCS

Description

- Turns any 4' deep two-sided X-Rack or X-Siege into a Power Cage System.
- Allows for lifting inside rack.
- 855 lb maximum training weight.
- Compatible with Power Cage and 4' deep two-sided X-Racks and X-Siege.

Compatibility

X-Create	
X-Lab	
X-Rack	√
X-Siege	√
X-Cage	
Arsenal	
Armament	

4 FOOT DOUBLE CROSS



Product Code: XRACK-4DX

Description

- Includes 1.25" and 2" pull-up bars.
- Can be mounted in either direction for "fat bar" or "skinny bar" down.
- Compatible with all X-Racks, Armaments and 8' Arsenals. Not compatible with 7' Arsenals.

Compatibility

X-Create	
X-Lab	
X-Rack	√
X-Siege	√
X-Cage	
Arsenal	√
Armament	√

2017 X-SERIES COMPONENTS

4 FOOT FLYING PULL-UP



Product code: XRACK-4FPU

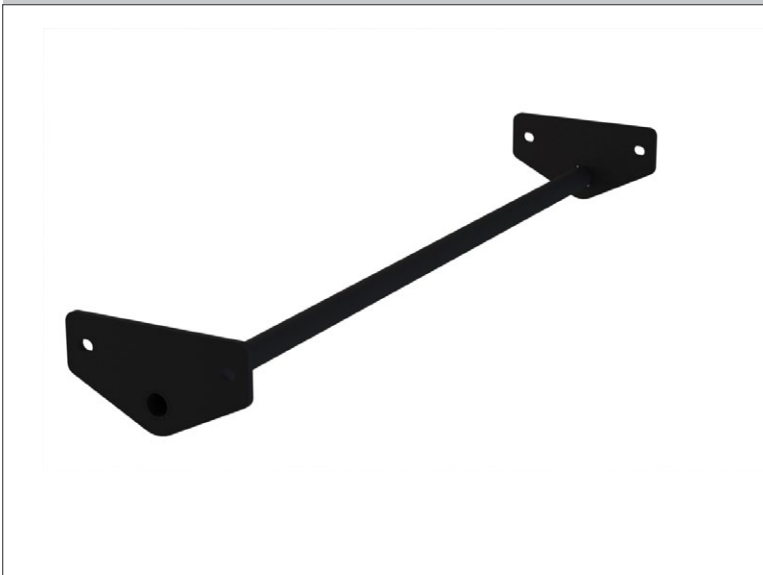
Description

- The flying pull-up cross attaches to any X-Rack 4' training space.
- Provides an extended 10' high anchor for rings without compromising a pull-up station or requiring additional floor space.
- Raises X-Rack to height of 117.1 in (297 cm) to 127.5 in (324 cm) depending on set-up.

Compatibility

X-Create	
X-Lab	
X-Rack	√
X-Siege	√
X-Cage	
Arsenal	
Armament	

4 FOOT MONKEY BAR



Product code: XRACK-4MB

Description

- Connects to the X-Rack and X-Siege Monkey Bar Cross members.
- Can be mounted with all the same height, or flipped for stair step monkey bars.
- Thru-plate fully welded construction.

Compatibility

X-Create	√
X-Lab	
X-Rack	√
X-Siege	√
X-Cage	
Arsenal	
Armament	

2017 X-SERIES COMPONENTS

4 FOOT MONKEY LADDER CROSS



Product code: XRACK-4MBLX

Description

- Allows Monkey Bars to rise from 9 feet to 12 feet.
- Pair with two 4' or 6' Monkey Bars.

Compatibility

X-Create	
X-Lab	
X-Rack	√
X-Siege	√
X-Cage	
Arsenal	
Armament	

4 FOOT MONKEY BAR CROSS



Product Code: XRACK-4MBX

Description

- Includes 3" x 3" 11 gauge upper tube for attaching Monkey Bars and a 1.25" diameter tube for pull-ups.
- Compatible with all X-Racks, Armaments and 8' Arsenals. Not compatible with 7' Arsenals.

Compatibility

X-Create	
X-Lab	
X-Rack	√
X-Siege	√
X-Cage	
Arsenal	√
Armament	√

2017 X-SERIES COMPONENTS

4 FOOT MULTI-GRIP CROSS



Product Code: XRACK-4MGX

Description

- Includes solid 1.25" diameter ergonomic handles and a 2" diameter "fat grip" straight bar for four different pull-up variations.
- Compatible with all X-Racks, Armaments and 8' Arsenals. Not compatible with 7' Arsenals.

Compatibility

X-Create	
X-Lab	
X-Rack	√
X-Siege	√
X-Cage	
Arsenal	√
Armament	√

4 FOOT NINJA CROSS



Product Code: XRACK-4NX

Description

- 4' cross attaches to any 4 foot X-Rack Space, including Monkey Bar Racks.
- Incorporates multiple grip variations, including angled straight bar, fat bar, 3" sphere, 4" sphere and rock grip.

Compatibility

X-Create	
X-Lab	
X-Rack	√
X-Siege	√
X-Cage	
Arsenal	√
Armament	√

2017 X-SERIES COMPONENTS

4 FOOT RECTANGULAR CROSS



Product code: XRACK-4RX

Description

- Constructed with 3 x 3 inch 11 gauge with gussets, the rectangular cross provides a more rigid X-Rack frame connection.
- Recommended with 12' uprights for use with Gymnastics Rings.
- Can be substituted for 4MBX Monkey Bar Cross.

Compatibility

X-Create	
X-Lab	
X-Rack	√
X-Siege	√
X-Cage	
Arsenal	
Armament	

4 FOOT SINGLE CROSS



Product code: XRACK-4SX

Description

- 1.25 inch diameter pull-up bar featuring "thru-plate" construction with gussets.
- Preferred cross member for performing muscle-ups.
- Compatible with all X-Racks, Armaments and 8' Arsenals. Not compatible with 7' Arsenals.

Compatibility

X-Create	
X-Lab	
X-Rack	√
X-Siege	√
X-Cage	
Arsenal	√
Armament	√

2017 X-SERIES COMPONENTS

4 FOOT TRIPLE CROSS



Product Code: XRACK-4TX

Description

- Constructed with three 1.25" diameter pull-up bars with "thru-plate" construction.
- Allows for two different pull-up heights at the same station.
- Compatible with all X-Racks, Armaments and 8' Arsenals. Not compatible with 7' Arsenals.

Compatibility

X-Create	
X-Lab	
X-Rack	√
X-Siege	√
X-Cage	
Arsenal	√
Armament	√

6 FOOT ACCESSORY TRAY



Product code: XRACK-6AT

Description

- For use with X-Rack Storage Systems and Horizontal Accessory Storage Stands.
- Trays can be mounted flat for use with medicine balls, kettlebells etc. or at an angle for use with hex dumbbells.

Compatibility

X-Create	
X-Lab	
X-Rack	√
X-Siege	√
X-Cage	
Arsenal	
Armament	√

2017 X-SERIES COMPONENTS

6 FOOT DOUBLE CROSS MEMBER



Product code: XRACK-6DX

Description

- Includes 1.25" and 2" pull-up bars.
- Can be mounted in either direction for "fat bar" or "skinny bar" down.
- Can be mounted horizontally for stability ball storage. (Requires XUHK1)

Compatibility

X-Create	
X-Lab	
X-Rack	√
X-Siege	√
X-Cage	√
Arsenal	
Armament	√

6 FOOT HORIZONTAL WEIGHT STORAGE



Product code: XRACK-6HWS

Description

- Six 7.5 inch (190 mm) solid steel weight pegs with nylon covers and rubber bumpers to protect weight plates.
- Compatible with Armament, X-Rack, X-Siege and 6' Horizontal Storage Racks.
- Pegs are spaced apart to all hold 45 lb. plates.

Compatibility

X-Create	
X-Lab	
X-Rack	√
X-Siege	√
X-Cage	
Arsenal	
Armament	√

2017 X-SERIES COMPONENTS

6 FOOT MONKEY BAR



Product code: XRACK-6MB

Description

- Connects to the XRACK-4MBX and XRACK-6MBX Monkey Bar Cross members.
- Can be mounted with all bars at the same height or flipped for stair step monkey bars.

Compatibility

X-Create	
X-Lab	
X-Rack	√
X-Siege	√
X-Cage	
Arsenal	
Armament	

6 FOOT MONKEY LADDER CROSS



Product code: XRACK-6MBLX

Description

- Allows Monkey Bars to rise and descend between 9' and 12' uprights.
- Pair with three 4' or 6' Monkey Bars.

Compatibility

X-Create	
X-Lab	
X-Rack	√
X-Siege	√
X-Cage	
Arsenal	
Armament	

2017 X-SERIES COMPONENTS

6 FOOT MONKEY BAR CROSS



Product code: XRACK-6MBX

Description

- Includes 3" x 3" 11 gauge upper tube for attaching Monkey Bars and a 1.25" diameter tube for pull-ups.

Compatibility

X-Create	
X-Lab	
X-Rack	√
X-Siege	√
X-Cage	√
Arsenal	
Armament	√

6 FOOT RECTANGULAR CROSS



Product code: XRACK-6RX

Description

- Constructed with 3 x 3 inch 11 gauge with gussets, the rectangular cross provides a more rigid X-Rack frame connection.
- Recommended with 12' uprights for use with Gymnastics Rings.

Compatibility

X-Create	
X-Lab	
X-Rack	√
X-Siege	√
X-Cage	√
Arsenal	
Armament	√

2017 X-SERIES COMPONENTS

6 FOOT SINGLE CROSS



Product code: XRACK-6SX

Description

- 1.25 inch diameter pull-up bar featuring “thru-plate” construction with gussets.
- Preferred cross member for performing muscle-ups.

Compatibility

X-Create	
X-Lab	
X-Rack	√
X-Siege	√
X-Cage	√
Arsenal	
Armament	√

6 FOOT TRIPLE CROSS MEMBER



Product code: XRACK-6TX

Description

- Constructed with three 1.25” diameter pull-up bars with “thru-plate” constructions.
- Allows for two different pull-up heights at the same station.

Compatibility

X-Create	
X-Lab	
X-Rack	√
X-Siege	√
X-Cage	√
Arsenal	
Armament	√

2017 X-SERIES COMPONENTS

6 FOOT UPRIGHT



Product code: XRACK-6U

Description

- 3 x 3 11 gauge upright 6' length.
- Used with Squat Stand and 7' Arsenal
- Numbered slots.
- Used on Squat Stand and 7' Arsenal only.

Compatibility

X-Create	
X-Lab	
X-Rack	
X-Siege	
X-Cage	
Arsenal	√
Armament	

6 FOOT UPRIGHT EXTENSION (Quantity 2)



Product code: XRACK-6UE

Description

- Designed for use with the XRACK-12U 12' uprights to bring the rack height up to 18' to allow for climbing ropes.
- Four L-Brackets are used to secure extensions to the uprights for complete stability.

Compatibility

X-Create	
X-Lab	
X-Rack	√
X-Siege	
X-Cage	
Arsenal	
Armament	

2017 X-SERIES COMPONENTS

7.5 FOOT UPRIGHT



Product code: XRACK-7.5U

Description

- 3 x 3 "11 gauge upright 7' 6" length.
- Used with Arsenal 8 and Armament 8
- Numbered slots.
- Not recommended for use on X-Racks - cannot be combined with any other length upright. For shorter racks, see XRACK-8U.

Compatibility

X-Create	
X-Lab	
X-Rack	
X-Siege	
X-Cage	
Arsenal	√
Armament	√

8 FOOT UPRIGHT



Product Code: XRACK-8U

Description

- 3 x 3 11 gauge upright 9' length.
- Optional on X-Rack, X-Siege, Arsenal and Armament.
- Numbered slots.
- Standard color options.

Compatibility

X-Create	
X-Lab	
X-Rack	√
X-Siege	√
X-Cage	
Arsenal	√
Armament	√

2017 X-SERIES COMPONENTS

9 FOOT UPRIGHT



Product code: XRACK-9U

Description

- 3 x 3 11 gauge upright 9' length.
- Standard on X-Rack and X-Siege and optional with Arsenal and Armament.
- Numbered slots.
- Standard color options.

Compatibility

X-Create	
X-Lab	
X-Rack	√
X-Siege	√
X-Cage	
Arsenal	√
Armament	√

8 FOOT VERTICAL ACCESSORY STORAGE



Product code: XRACK-8UVAS

Description

- Attaches inside X-Racks with 8 foot uprights, providing an upright to attach 6' accessory trays and horizontal weight storage. Not compatible with X-Siege.
- Sold individually.
- Must be used with XRACK-4RX or XRACK-6RX Cross Members.

Compatibility

X-Create	
X-Lab	
X-Rack	√
X-Siege	
X-Cage	
Arsenal	
Armament	

2017 X-SERIES COMPONENTS

8 FOOT VERTICAL WEIGHT STORAGE (Qty 2)



Product code: XRACK-8UVWS

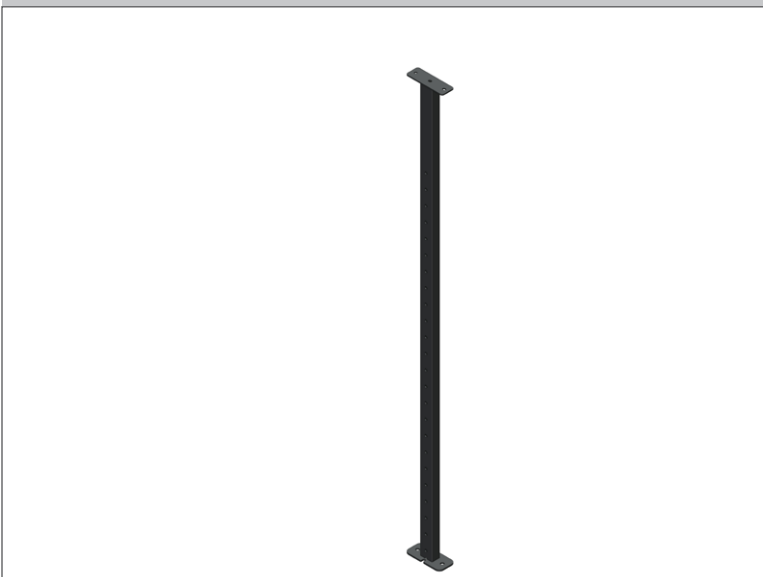
Description

- Attaches inside X-Racks with 8 foot uprights, providing weight storage. Sold as set of 2.
- Also can be used to attach 6' accessory trays and horizontal weight storage. Not compatible with X-Siege.
- Must be used with XRACK-4RX or XRACK-6RX Cross Members.

Compatibility

X-Create	
X-Lab	
X-Rack	√
X-Siege	
X-Cage	
Arsenal	
Armament	

9 FOOT VERTICAL ACCESSORY STORAGE



Product code: XRACK-9UVAS

Description

- Attaches inside X-Racks with 9 foot uprights, providing an upright to attach 6' accessory trays and horizontal weight storage. Not compatible with X-Siege.
- Sold individually.
- Must be used with XRACK-4RX or XRACK-6RX Cross Members.

Compatibility

X-Create	
X-Lab	
X-Rack	√
X-Siege	
X-Cage	
Arsenal	
Armament	

2017 X-SERIES COMPONENTS

9 FOOT VERTICAL WEIGHT STORAGE (Qty 2)



Product code: XRACK-9UVWS

Description

- Eight solid steel weight pegs with nylon covers and rubber bumpers to protect weight plates.
- Must be used with XRACK-4RX or XRACK-6RX Cross Members.
- Not compatible with X-Siege.
- Sold as set of 2.

Compatibility

X-Create	
X-Lab	
X-Rack	√
X-Siege	
X-Cage	
Arsenal	
Armament	

12 FOOT UPRIGHT



Product code: XRACK-12U

Description

- 3 x 3" 11 gauge upright 12' length.
- Optional on most X-Racks.
- Standard Storm Grey Powder Coat Finish.

Compatibility

X-Create	
X-Lab	
X-Rack	√
X-Siege	
X-Cage	
Arsenal	
Armament	

2017 X-SERIES COMPONENTS

ARSENAL/ARMAMENT ACCESSORY STORAGE UPRIGHT (Qty 2)



Product code: XRACK-AAASU

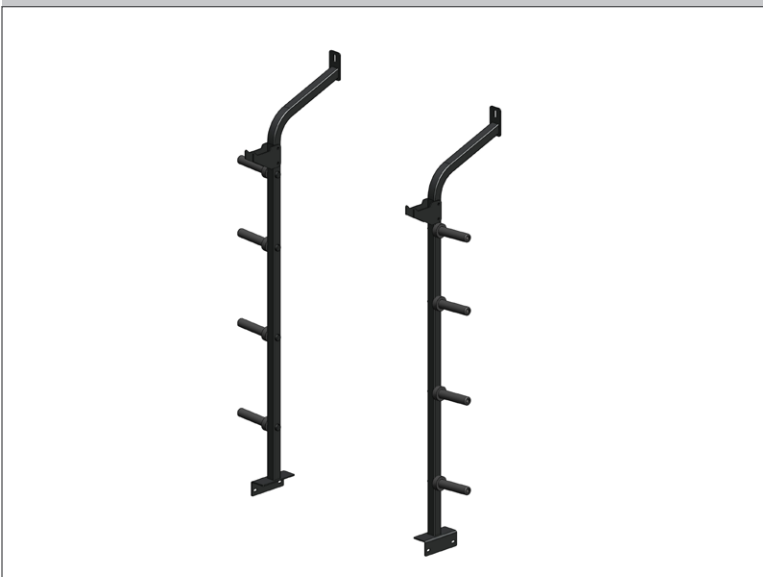
Description

- Used on middle uprights of Armament.
- Contains holes to attach Horizontal Weight Storage and 6' Accessory Trays
- Includes Olympic Bar Holders
- Compatible with 7.5, 8' and 9' Uprights.

Compatibility

X-Create	
X-Lab	
X-Rack	
X-Siege	
X-Cage	
Arsenal	√
Armament	√

ARSENAL/ARMAMENT WEIGHT STORAGE UPRIGHT



Product code: XRACK-AAWSU

Description

- Used on outside uprights of Arsenal and Armament.
- Eight 7.5 inch (190 mm) solid steel weight pegs with nylon covers and rubber bumpers to protect weight plates.
- Includes Olympic Bar Holders
- Compatible with 7.5, 8' and 9' Uprights.

Compatibility

X-Create	
X-Lab	
X-Rack	
X-Siege	
X-Cage	
Arsenal	√
Armament	√

2017 X-SERIES COMPONENTS

BATTLE ROPE ANCHOR



Product code: XRACK-BRA

Description

- Glass-reinforced molded nylon anchor includes rounded edges to prevent wear on ropes.
- Molded in steel inserts in mounting holes.

Compatibility

X-Create	√
X-Lab	√
X-Rack	√
X-Siege	√
X-Cage	
Arsenal	
Armament	

LOWER BAND PEG ATTACHMENT (2 Pieces - Pair)



Product code: XRACK-LBPA

Description

- Compatible with X-Rack and X-Siege systems.
- Increases rack stability and enables resistance bands to be used with Olympic bar training.

Compatibility

X-Create	
X-Lab	
X-Rack	√
X-Siege	√
X-Cage	
Arsenal	
Armament	

2017 X-SERIES COMPONENTS

ROCK CLIMBING KIT



Product code: XRACK-RCK

Description

- Sold as a left and right pair.
- Mounts to any rectangular or monkey bar cross to provide rock grip locations.
- Textured molded surface provides sure grip.

Compatibility

X-Create	√
X-Lab	
X-Rack	√
X-Siege	√
X-Cage	√
Arsenal	
Armament	√

UPPER BAND PEG ATTACHMENT (2 Pieces - Pair)



Product code: XRACK-UBPA

Description

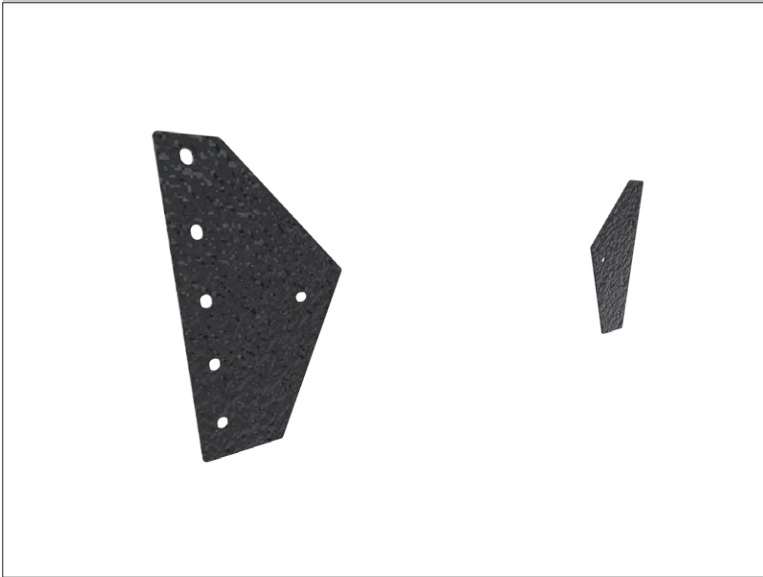
- Mounts to any of our rack uprights. (Cannot be used on uprights that include ball targets)
- Enables Olympic bar training with resistance bands.

Compatibility

X-Create	
X-Lab	
X-Rack	√
X-Siege	√
X-Cage	
Arsenal	√
Armament	√

2017 X-SERIES COMPONENTS

UPRIGHT GUSSET PLATE (2 Pieces - Pair)



Product code: XRACK-UGP

Description

- Standard on X-Siege systems and compatible with some X-Rack systems.
- Ties together uprights and crosses in two directions increasing stability of the system.

Compatibility

X-Create	
X-Lab	
X-Rack	√
X-Siege	√
X-Cage	
Arsenal	
Armament	

VERTICAL BAR CATCH & ACCESSORY STORAGE (4 Pieces - 2 Pair)



Product code: XRACK-VBCAS

Description

- Provides hanging storage for resistance bands, handles, chains, etc.
- Allows for storage of bar catches, supports or the dip attachment.
- Mounts between two vertical weight storage sets on X-Rack and X-Siege.

Compatibility

X-Create	
X-Lab	
X-Rack	√
X-Siege	√
X-Cage	
Arsenal	
Armament	

2017 X-SERIES COMPONENTS

WARRIOR ELITE BASE



Product code: XRACK-WEB

Description

- 3" x 3" 11 gauge construction with formed base plates that allow product to be bolted to floor.
- Used with Squat Stand, Arsenal and Armaments.
- Elevates uprights 4".
- Includes weight plate storage for rack stability.

Compatibility

X-Create	
X-Lab	
X-Rack	
X-Siege	
X-Cage	
Arsenal	√
Armament	√

WARRIOR SQUAT STAND CROSS



Product code: XRACK-WSSX

Description

- Thru-plate construction with 1.25" pull-up bar
- Standard with 7' Arsenal and optional for Squat Stand.

Compatibility

X-Create	
X-Lab	
X-Rack	
X-Siege	
X-Cage	
Arsenal	√
Armament	

2017 X-SERIES COMPONENTS

X-RACK BOOT



Product code: XRBOOT

Description

- Compatible with all X-Rack and X-Siege systems.
- Boot provides a decorative cover of the base plates and floor mounting bolts and makes clean up easier around the X-Rack Systems.
- Note: must be installed before assembling X-Rack.

Compatibility

X-Create	
X-Lab	
X-Rack	√
X-Siege	√
X-Cage	
Arsenal	
Armament	

4 FOOT LOWER FRAME SUPPORT



Product code: XSIEGE-4LFS

Description

- Standard on 4' depth Siege systems.
- Ties together uprights providing added stability.
- Includes two Olympic bar storage locations.

Compatibility

X-Create	
X-Lab	
X-Rack	
X-Siege	√
X-Cage	
Arsenal	
Armament	

2017 X-SERIES COMPONENTS

6 FOOT LOWER FRAME SUPPORT



Product code: XSIEGE-6LFS

Description

- Standard on 6' depth Siege systems.
- Ties together uprights providing added stability.
- Includes two Olympic bar storage locations.

Compatibility

X-Create	
X-Lab	
X-Rack	
X-Siege	√
X-Cage	
Arsenal	
Armament	

8' UPRIGHT VERTICAL WEIGHT STORAGE (2 Pieces - Pair)



Product code: XSIEGE-8UVWS

Description

- Mounts between lower frame supports and rectangular crosses on 8' X-Siege systems. (Not compatible with X-Racks.)
- Extra long nylon covered weight horns provide storage for three bumper plates on each peg.

Compatibility

X-Create	
X-Lab	
X-Rack	
X-Siege	√
X-Cage	
Arsenal	
Armament	

2017 X-SERIES COMPONENTS

9' UPRIGHT VERTICAL WEIGHT STORAGE (2 Pieces - Pair)



Product code: XSIEGE-9UVWS

Description

- Mounts between lower frame supports and rectangular crosses on 9' X-Siege systems. (Not compatible with X-Racks.)
- Extra long nylon covered weight horns provide storage for three bumper plates on each peg.

Compatibility

X-Create	
X-Lab	
X-Rack	
X-Siege	√
X-Cage	
Arsenal	
Armament	

STORAGE RACK ATTACHMENT ANCHOR SIDES (2 pieces)



Product code: XSRAAS

Description

- Used with Horizontal Weight, Accessory, and Combination Storage Racks, and compatible with X-Racks.
- Holds up to 4 Accessory trays adjustable in height.
- 58.5" (149 cm) in height.
- Pegs allow the use of the X-Lab Dip and X-Lab Plyo.

Compatibility

X-Create	
X-Lab	
X-Rack	√
X-Siege	
X-Cage	
Arsenal	
Armament	

2017 X-SERIES COMPONENTS

STORAGE RACK SIDES (QTY 2)



Product code: XSR5

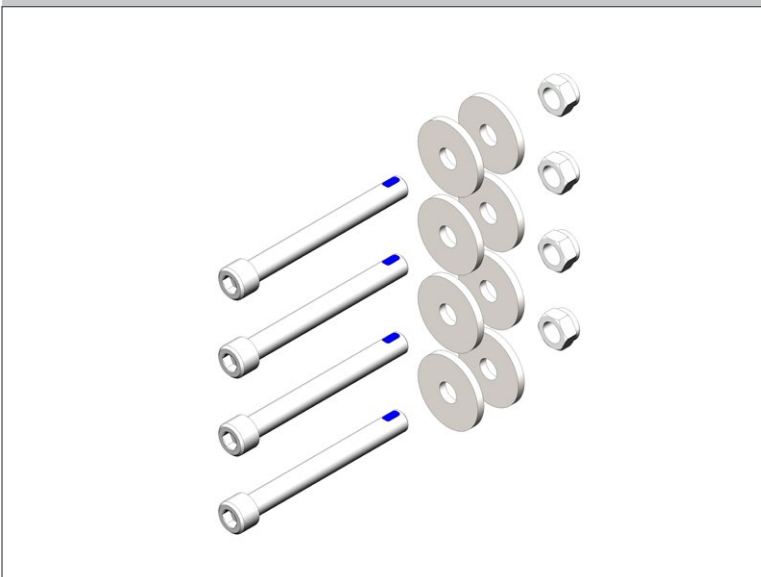
Description

- Used with Horizontal Weight, Accessory, and Combination Storage Racks.
- Holds up to 4 Accessory trays adjustable in height.
- 58.5" (149 cm) in height.

Compatibility

X-Create	
X-Lab	
X-Rack	
X-Siege	
X-Cage	
Arsenal	
Armament	

UNIVERSAL HARDWARE KIT



Product code: XUHK1

Description

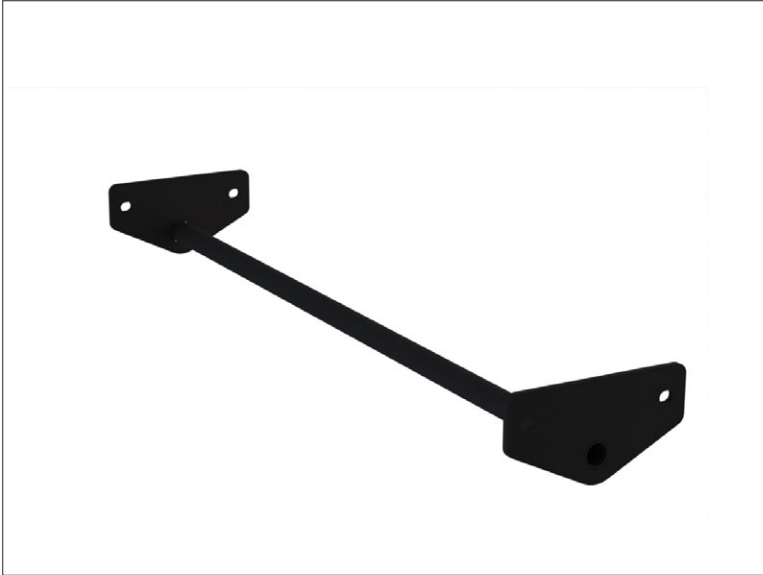
- Additional hardware kit that is standard with XRSS storage rack systems in order to attach double crosses horizontally for stability ball storage.
- Includes four 1/2" x 4-1/2" bolts, four nuts and eight washers.

Compatibility

X-Create	√
X-Lab	√
X-Rack	√
X-Siege	√
X-Cage	√
Arsenal	√
Armament	√

2017 X-SERIES COMPONENTS

WALL MOUNT PULL-UP CROSS



Product code: XWMPUX

Description

- Pull-up Cross included with XWMPU-4, XWMPU-8, and XWMPU-12.
- Pair with XPUS to add additional wall-mounted pull-up stations.

Compatibility

X-Create	
X-Lab	
X-Rack	
X-Siege	
X-Cage	
Arsenal	
Armament	



**X-SERIES
TANK**

WWW.TORQUEFITNESS.COM

Dual handles for bidirectional movement

Nylon covered weight horns for traction and XGAS integration



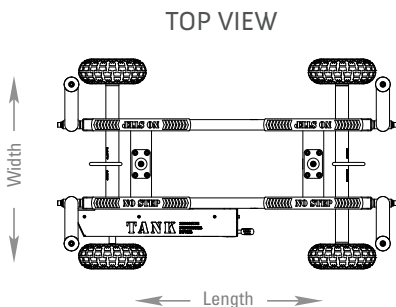
Outdoor UV resistant powder coat paint

Two hooks for battle ropes and harness options

Adjustable and frictionless magnetic brake system that increases resistance with speed

Model number	XTT1
Footprint (L x W x H)	49.2" x 31.9" x 37.3" (125 cm x 81 cm x 95 cm)
Weight	165 lbs (74.8 kg)
Warranty	10 year frame and welds/1 year parts and finish

Note: TANK requires 270 lbs (6-45 lb weight plates) for traction to prevent wheel skidding. An optional locking traction kit is available.



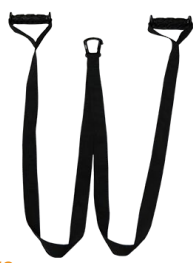


One XTGAK Group Accessory Kit



One Dual Direction Torque Tank

Model number	XTT1GT
Size (L x W x H)	49.2" x 31.9" x 37.3" (125 cm x 81 cm x 95 cm)
Weight	210 lbs (95.3 kg)
Included in Package	(1) XTT1, (1) XTGAK



One nylon drawstring bag to store V-Strap Handles and Harnesses

Two V-Strap Handles



Two Combination Cable Locks



Two 30' Tow Ropes with Quick Attach Carabiners

Two Padded Waist Harnesses with Tow Straps

Model number	XTGAK
Weight	45 lbs (20.4 kg)
Included in kit	(2) V-Strap Handle Assy, (2) Waist Harness Assy, (2) Cable Locks, (2) Tow Ropes, (1) Drawstring Bag.

Six Rubber Grip 45 lb Weight Plates (three for each peg)



Spoked plate design allows locking cables to loop through and around frame keeping weight plates locked to TANK

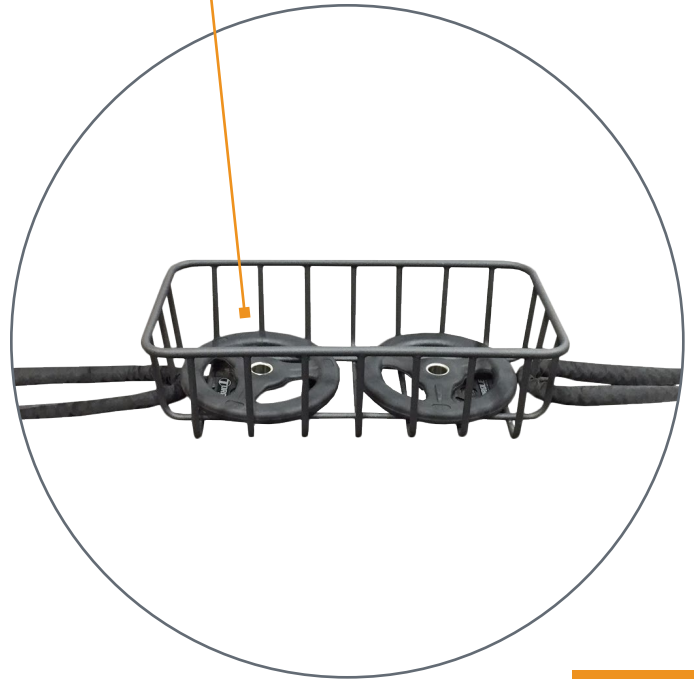
Model number (270 lb Traction Kit)	XT270TK
Model number (Weight Plates)	Z4GP45 (Quantity 6)
Weight	270 lbs (122.5 kg)

The 270 lb Traction Kit includes six 45 lb weight plates. The kit allows facilities to equip TANK with the appropriate weight for traction on any surface. Cable locks (included with some kits) can be easily removed for TANK transportation.

Note: A TANK locking kit (XTLK) that includes two cable locks but no weight plates is also available. Spoked grip plates must be used.

Group Anchor Station (XGAS) allows up to eight battle rope anchor positions.

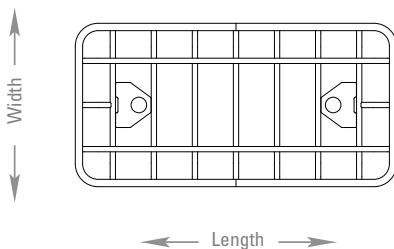
Use weight plates/kettlebells or anything with mass to keep XGAS stationary



Interlocks with TANK for transportation of all training accessories

Model number	XGAS
Footprint (L x W x H)	43.0" x 21.9" x 12.0" (109 cm x 56 cm x 31 cm)
Weight	27 lbs (12.2 kg)
Warranty	10 year frame and welds/1 year finish

TOP VIEW



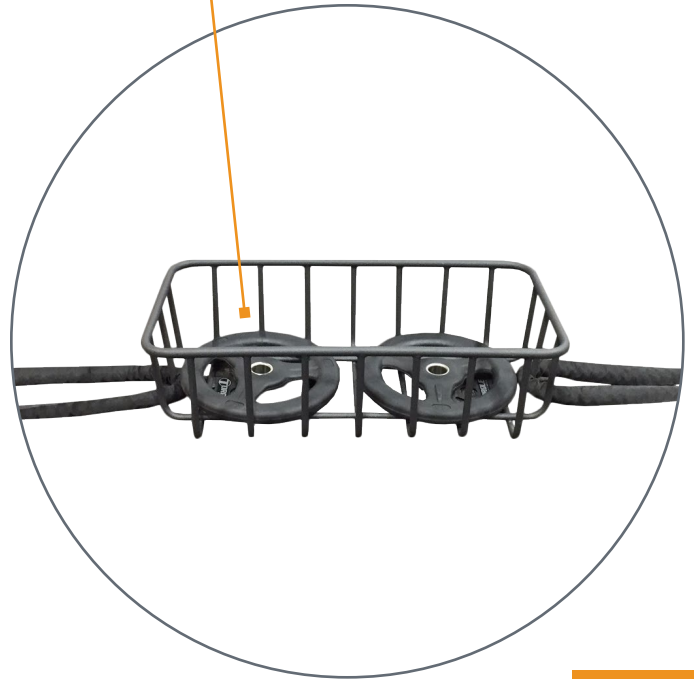
Note: Weight plates and battle ropes shown in image are not included. XGASBRP4 package is available that includes four battle ropes with the XGAS.



XGAS BATTLE ROPE PACKAGE

Group Anchor Station (XGAS) allows up to eight battle rope anchor positions.

Use weight plates/kettlebells or anything with mass to keep XGAS stationary

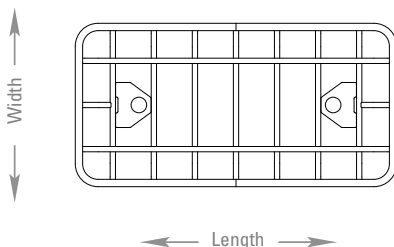


Four 1-1/2 inch nylon covered 30 foot battle ropes

Model number	XGASBRP4
Footprint (L x W x H)	43.0" x 21.9" x 12.0" (109 cm x 56 cm x 31 cm)
Weight	107 lbs (48.5 kg)
Included in kit	Qty 1 XGAS, Qty 4 TBR-CN30

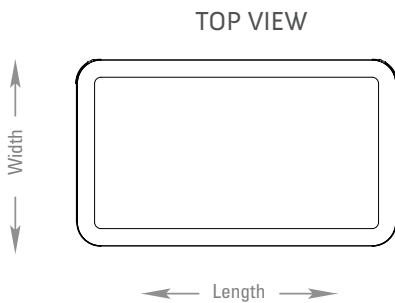
Note: Weight plates shown in image are not included. XGAS, Battle Ropes, and weight plates can be purchased individually.

TOP VIEW





Model number	XTT1C
Footprint (L x W x H)	55.5" x 32.2" x 34.8" (141 cm x 82 cm x 88 cm)
Weight	5 lbs (11 kg)
Warranty	1 year on materials and workmanship



V-Strap handle assembly with Torque T-Grip rubber overmolded handles.



Torque drawstring waterproof bag with internal and external zipper pockets

Padded waist harness with tow strap and carabiners

Model number	XTTK
Size (L x W x H)	14.0" x 17.0" x 4.0" (36 cm x 43 cm x 10 cm)
Weight	2.7 lbs (1.2 kg)
Included in kit	V-Strap Handle Assy, Waist Harness Assy, Drawstring Bag.

Clips quickly to either Tow Hooks on either side of TANK



1.5" x 30' (38 mm x 9.1 m) Dacron Rope with Heat shrink Ends

Welded metal bracket with included carabiner

Model number	XTTR-1.5-30
Size	1.5 IN X 30 FT (38 mm x 9.1 m)
Weight	17.0 lbs (7.7 kg)
Included in kit	Rope with metal clamp and carabiner

Note: For Towing Only. DO NOT use Tow Rope or Carabiner for climbing.



TRAINING ACCESSORIES



TORQUE FITNESS FUNCTIONAL AND WEIGHT TRAINING ACCESSORIES FOR INDIVIDUAL, SMALL GROUP, AND TEAM TRAINING.



Barbells

Torque branded rubber barbells from 20-110 lbs with welded solid steel weights and chrome plated diamond knurl are available in sets with straight bar or easy curl bar design.



Rubber Coated Kettlebells

Torque premium Kettlebells have a durable rubber coating that protects flooring and a smooth chrome handle that protects hands. Each weight is easily identifiable with high visible molded weight numbers.



Torque Fitness offers storage solutions and functional training systems with storage solutions. Contact us and we can help recommend what you will need.



Dumbbells

Pro-Style dumbbells available in Rubber or Urethane have permanently welded solid steel weights and precision diamond knurled, finished with a hard chrome finish. 5-50 and 55-100 sets available.

Aerobic Dumbbells

Torque Aerobic Dumbbells have an extra thick neoprene coating with a slightly soft and textured grip making them easy to hold even when palms get sweaty. Sets include, 2 lb - 12 lb weights.

Rubber Grip Plates

Tri-spoked Grip Plates have a large comfortable grip and are available in 2.5, 5, 10, 25, and 45 lb weights. The stainless steel hubs are hydraulically pressed into permanent position to prevent surface damage to plates and bars. Available in both Rubber and Urethane.



Urethane Grip Plates

Our Urethane grip plates have the same design features as the rubber, but include a more attractive coating and include a five year warranty.



Torque Fitness offers stand-alone and integrated system storage solutions for weight plates and bumpers. Contact us and we can help recommend what you will need.



Black Bumper Plates

Torque Alpha bumpers have a proprietary chemical coating on the molded in steel reinforced hubs making them even more durable than our standard bumpers. Raised lettering and a smooth finish give them a premium look.

Colored Bumper Plates

Torque colored bumpers bring energy to any workout room and make weight identification easy. With the same features as the black, the bumpers have been tested for 8000 drops from 6 feet.

WEIGHT

Collars

Easy to use spring collars are available for the standard Olympic bars shown on the right and high impact nylon collars with a cam locking mechanism designed to stay put during drops are available for our X-Series training bars below.



Standard Olympic Bars

Our standard 6' and 7' 32 mm diameter, hard chrome Olympic, rated to 1500 lbs pair well with our grip plates. Also available is a 6' Aluminium Technique bar for novice users to learn free-weight movement patterns.



Torque Fitness supplies racks and rigs that integrate functional and free weight training, saving space and your investment. Call us and we can provide recommendations based on your needs in your facility.



EZ Curl Bar

Our 4 foot 28.0 mm diameter EZ curl bar fits all of our Olympic sized plates, has a medium knurl, rotates freely on bearings, and is coated with hard chrome.



X-Series Bars

X-Series Olympic bars are made in the USA and designed to handle repeated drops. The 20 kg - 190,000 psi/28.5 mm dia, and the 15 kg - 180,000 psi/25.0 mm dia tensile strength bars are finished in black and clear zinc.

WEIGHT

TRX Pro Suspension

The TRX Pro Suspension Trainer is their strongest, most secure product with durable, easy to clean rubber handles and commercial-grade components. Each trainer includes a suspension anchor, a mesh bag and a wrench for the locking carabineer.



TRX Ripp

The essential tool for anyone looking to strengthen their core, the Rip Trainer employs an innovative resistance cord system to create a variable, unbalanced load that enables you to develop core strength, explosive power, flexibility and endurance.



Torque Fitness has functional group training systems for integrated use with and storage for all the functional training accessories. Accessory packages are available that will provide everything you need to get off to a great start with small group and team training.



100 lb Heavy Bag

Torque's innovative bag has a high density molded foam core that ensures a more even striking surface and equal density throughout. Includes three target zones that improve an athlete's accuracy and allows for combination drills.

Training Gloves

Our 16 oz synthetic Dura-Skin Training Gloves are machine molded with flexible latex rubber, have a velcro closure, heavy duty lining and are one size fits all.

Medicine Balls

Our medicine balls are a versatile total body training tool helping you to develop muscular strength, endurance, power, stability, and joint integrity. Available in 2 lbs, 4 lbs, 6 lbs, 8 lbs, 10 lbs, 12 lbs and 15 lbs. They feature a durable rubber construction with a high grip texture.



Slam Balls

Torque Slam Balls are built to absorb the energy of a slam with zero bounce. The sand-filled center shifts during throws which engages core and stabilizing muscles. The textured cover has a pliable and tacky surface making it easy to grasp and throw making it perfect for floor slams. Available in 10 lb, 15 lb, 20 lb, 25 lb, 30 lb, 35 lb, 40 lb and 45 lb weights.



Torque Fitness has functional group training systems for integrated use with and storage for all the functional training accessories. Accessory packages are available that will provide everything you need to get off to a great start with small group and team training.



Wall Balls

The pliable soft-shell construction and balanced uniform weight of these balls make it easy to catch and throw. Comprised of heavy-duty vinyl-coated nylon, the wall balls remain dimensionally stable and balanced over time.

Battle Rope

The Torque premium nylon covered 1-1/2 inch diameter 30 foot nylon covered battle rope is a great tool for metabolic and strength training with a perfect weight for users of all types while allowing it to be used in smaller environments.

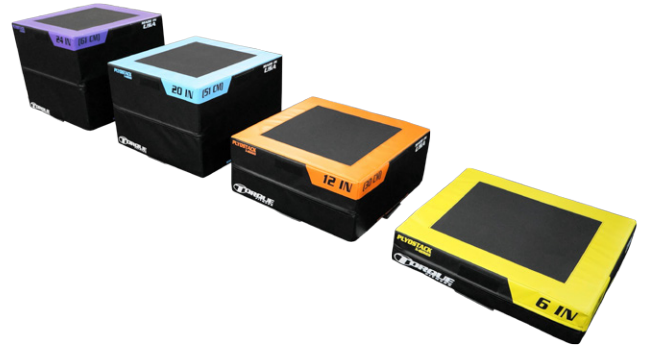
Tripleplyo

Our TRIPLEPLYO provides heights of 20, 24 and 30 inches and is the perfect tool for plyometric training. The dense foam provides a safe padded surface to jump on and the unique grabber material makes your feet stick on every jump. At 55 lbs, the box stays put.



Plyostack

The Torque PLYOSTACK set includes a 6, 12, 20 and 24 inch height padded box that provides fifteen height combinations. Velcro tabs keep them securely linked when stacked and premium dual foam, heavy weight vinyl and grabber material on landing surfaces make them stand apart.



Torque Fitness has functional group training systems for integrated use with and storage for all the functional training accessories. Accessory packages are available that will provide everything you need to get off to a great start with small group and team training.



Handled Power Tubes

The dual-handed power tubes feature a comfortable ergonomic grip with flared ends for smooth rotation. The power tubes are available in four different resistance levels and are encased in a protective nylon sleeve.

Strength Loop Bands

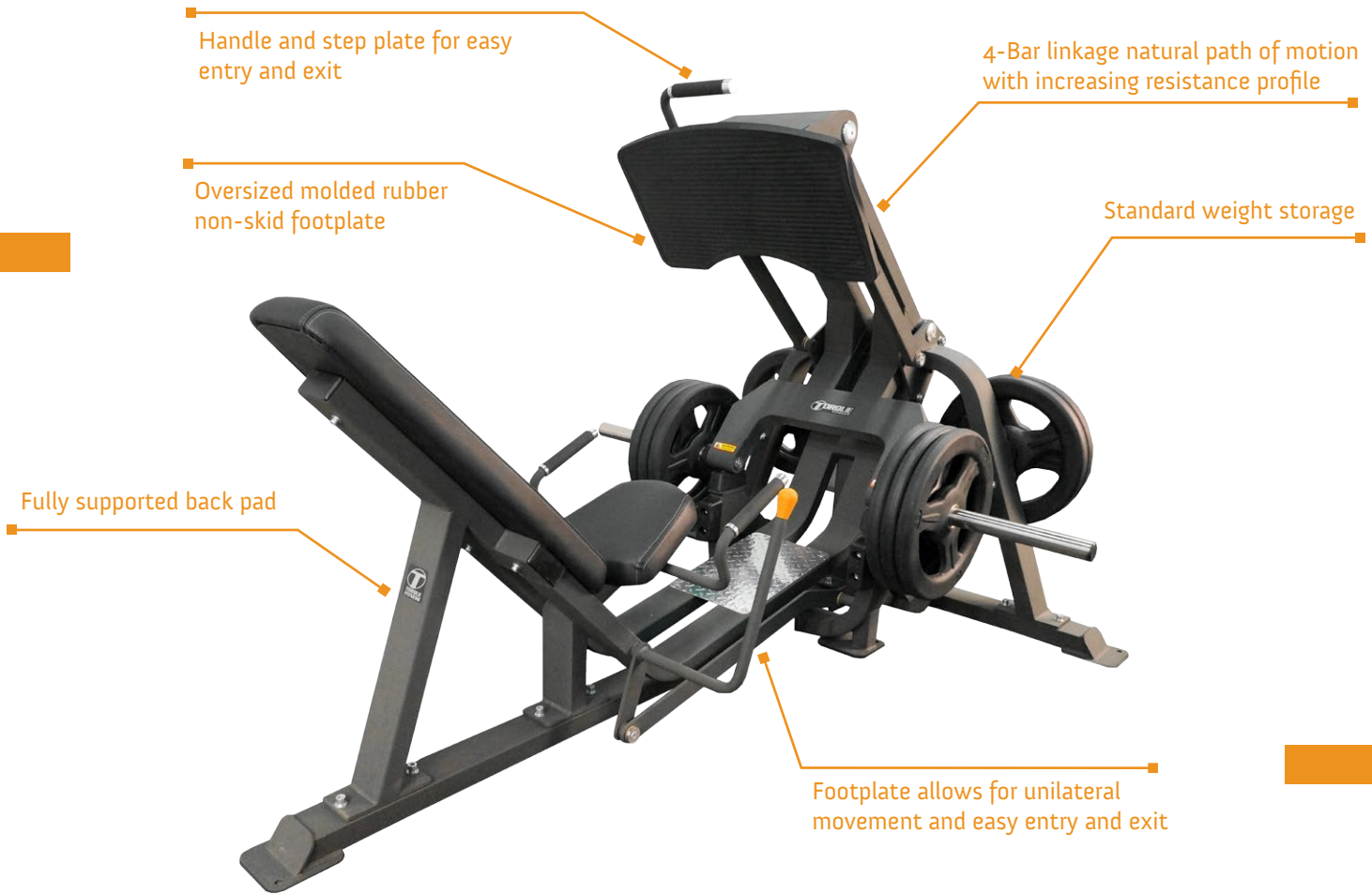
The 41 inch (104 cm) Torque Strength Loop Bands feature sturdy seamless constructions and are color coded for easy identification. The Strength Bands are a versatile tool and can be used in a wide range of applications.

FUNCTIONAL

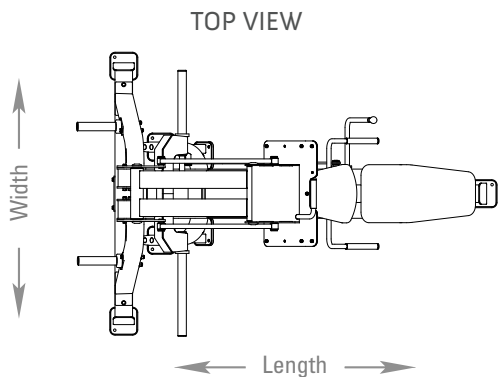


**X-SERIES
TRAINING STATIONS & BENCHES**

www.torquefitness.com

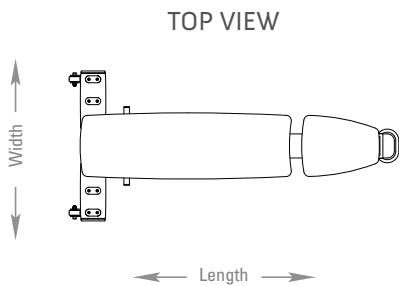


Model number	XPLL
Footprint	94.1" x 63.4" (239 cm x 161 cm)
Height	50.7" (129 cm)
Warranty	10 year frame and welds/1 year parts/90 days misc.



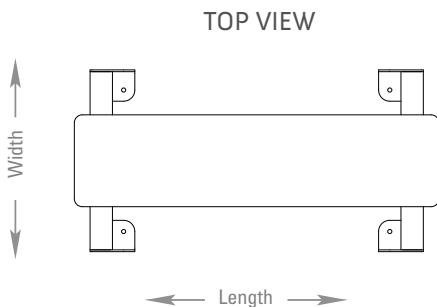


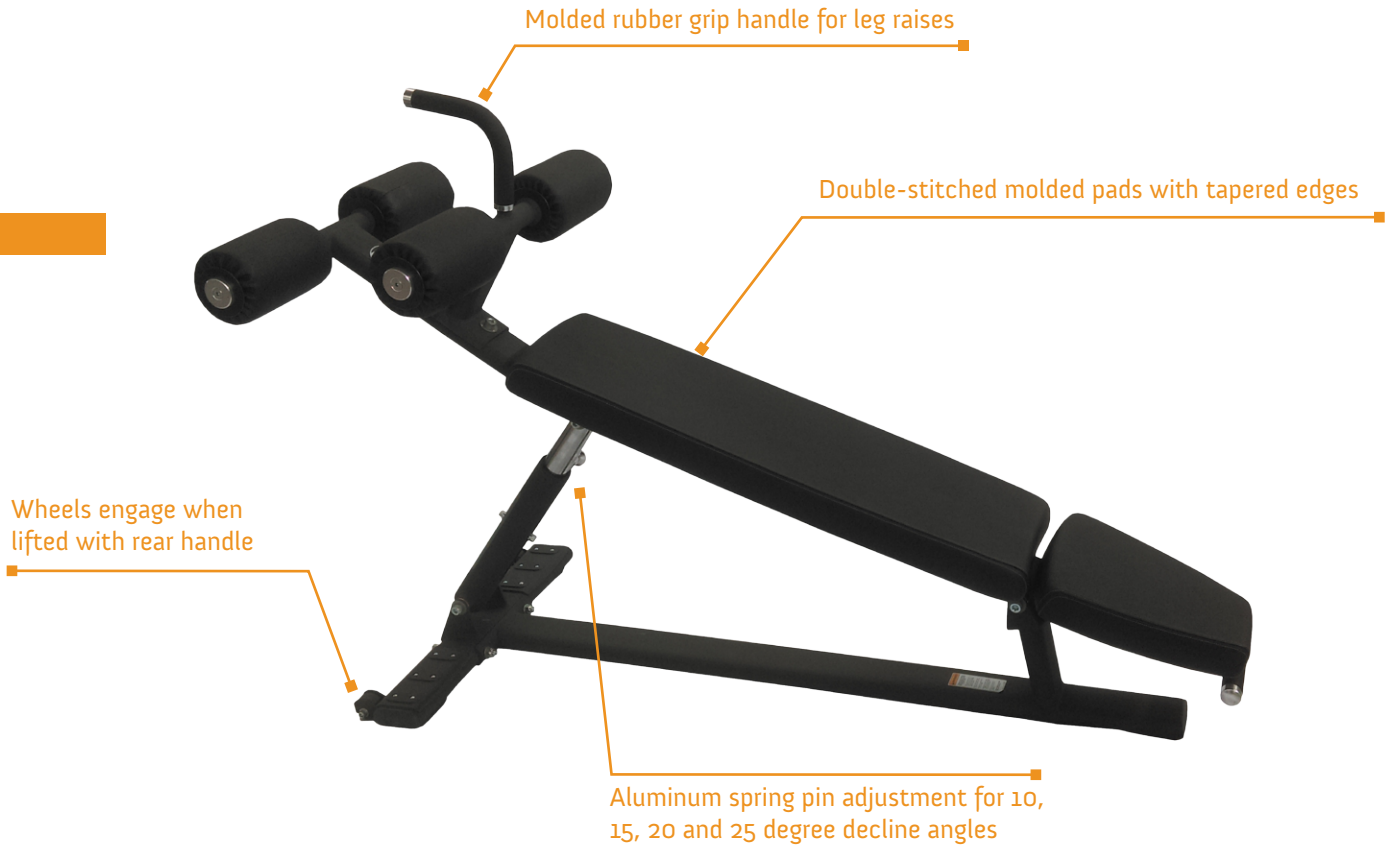
Model number	XFIB
Footprint (L x W x H)	59.1" x 27.0" x 18.0" (150 cm x 69 cm x 46 cm)
Weight	105 lbs (47.6 kg)
Warranty	10 year frame and welds/1 year parts and finish





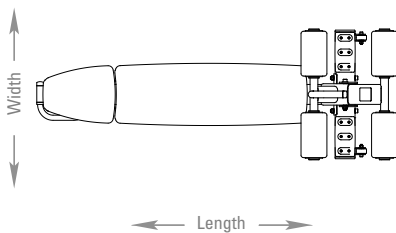
Model number	XFB
Footprint (L x W x H)	48.2" x 24.0" x 17.5" (122 cm x 61 cm x 44 cm)
Weight	63 lbs (29.0 kg)
Warranty	10 year frame and welds/1 year parts and finish





Model number	XAAB
Footprint (L x W x H)	69.7" x 25.1" x 46.8" (177 cm x 64 cm x 119 cm)
Weight	95 lbs (43 kg)
Warranty	10 year frame and welds/1 year parts and finish

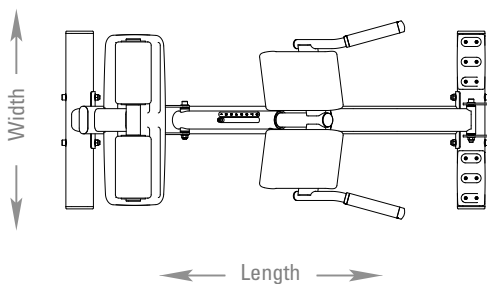
TOP VIEW





Model number	XBEB
Footprint (L x W x H)	59.1" x 27.5" x 32.5" (150 cm x 70 cm x 83 cm)
Weight	114 lbs (52 kg)
Warranty	10 year frame and welds/1 year parts and finish

TOP VIEW



30 oz. UV stabilized mildew-resistant expanded vinyl non-skid landing zones

All Foam construction consisting of an extra dense core and softer laminated foam on outside providing 55 lbs of weight for stability and a soft landing surface.

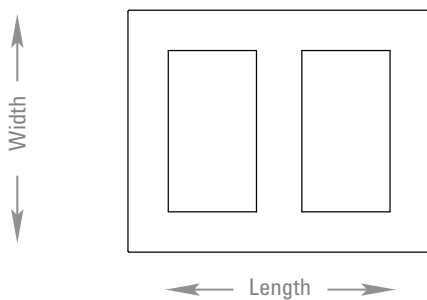


3-different heights - 20", 24" & 30" (51 cm, 61 cm, 76 cm)

18 oz. UV stabilized Mildew-resistant non-expanded coated polyester vinyl zipper cover

Model number	XTPI-20-24-30
Footprint (L x W x H)	20.0" x 24.0" x 30.0" (51 cm x 61 cm x 76 cm)
Weight	55 lbs (23 kg)
Warranty	1 year on materials and workmanship

TOP VIEW



30 oz. UV stabilized mildew-resistant expanded vinyl non-skid landing zones

All Foam construction consisting of a dense core and softer laminated foam on outside providing a stable base and safe landing surface



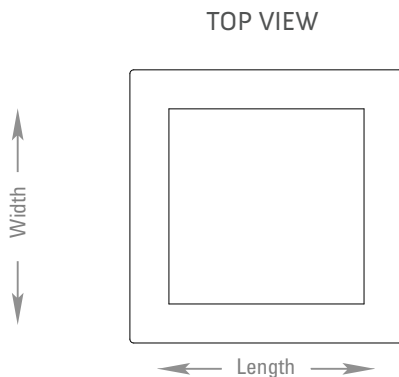
4-velcro interlocking heights of 6", 12", 20" & 24" (15 cm, 30 cm, 51 cm & 61 cm) providing 15 different height combinations

18 oz. UV stabilized Mildew-resistant non-expanded coated polyester vinyl zipper cover

Model number	XPSS-6-24
Footprint (L x W x H)	28.0" x 28.0" x 62.0" (71 cm x 71 cm x 158 cm)
Weight	191 lbs (86.6 kg)
Warranty	1 year on materials and workmanship

Note: Also sold individually.

- XPS-06 = 6 in (15 cm); 16 lbs (7.2 kg)
- XPS-12 = 12 in (30 cm); 38 lbs (17.1 kg)
- XPS-20 = 20 in (51 cm); 61 lbs (27.6 kg)
- XPS-24 = 24 in (61 cm); 76 lbs (34.4 kg)



XERD ON X-RACK



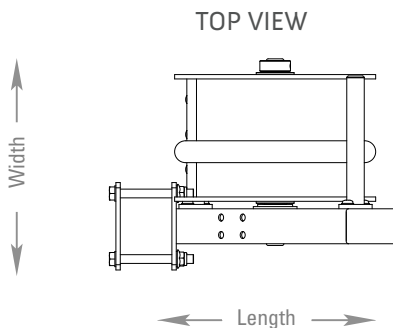
Magnetic/bidirectional resistance mechanism that automatically adjusts with pulling speed. Resistance levels from 10 lb (4 kg) to 100 lbs (45 kg)

XERD ON X-LAB



Included brackets and hardware make the XERD compatible with most X-Rack, X-Siege, X-Lab, X-Create and Power Cage Systems.

Model number	XERD
Dimensions (L x W x H)	12.9" x 12.1" x 15.7" (33 cm x 31 cm x 40 cm)
Weight	48 lbs (22 kg)
Compatibility	X-Rack, X-Siege, X-Lab, X-Create, Power Cage (See Note)
Warranty	Structural parts - 10 years; Pulleys/Bearings - 5 years; Rope - 6 months

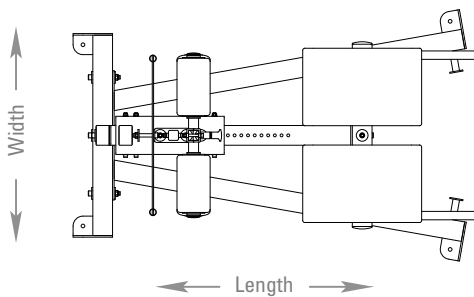


Note: Consult with Torque sales to ensure your system is compatible. Available in Storm Grey Powder Coat as shown.



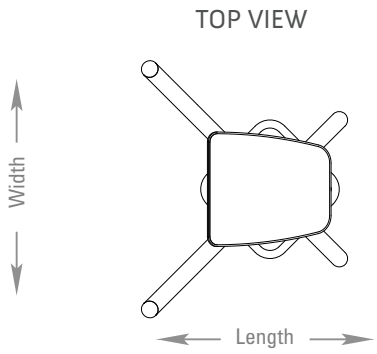
Model number	XGHD
Footprint (L x W x H)	60.3" x 37.6" x 42.5" (153 cm x 96 cm x 108 cm)
Weight	203 lbs (92.1 kg)
Warranty	10 year frame and welds/1 year parts and finish

TOP VIEW





Model number	XBRAP
Footprint (L x W x H)	12.0" x 15.0" x 37.2" (30 cm x 38 cm x 95 cm)
Weight	18.8 lbs (8.5 kg)
Warranty	10 year frame and welds/1 year parts and finish

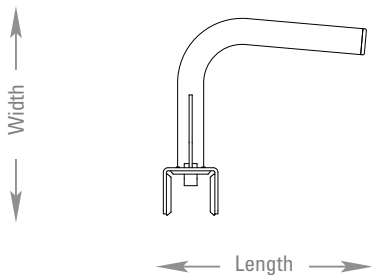




Model number	XDSA
Footprint (L x W x H)	15.6" x 15.1" x 10" (40 cm x 38 cm x 25 cm) each handle
Weight	12.7 lbs (5.75 kg) each handle
Warranty	10 year frame and welds/1 year parts and finish

TOP VIEW

Note: Sold as a set.



Wall-Mounted Resistance Band Anchor sold in pairs

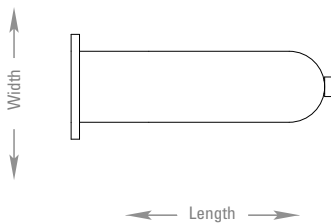
Smooth platinum paint won't damage resistance bands

7 anchor heights utilizing nylon posts

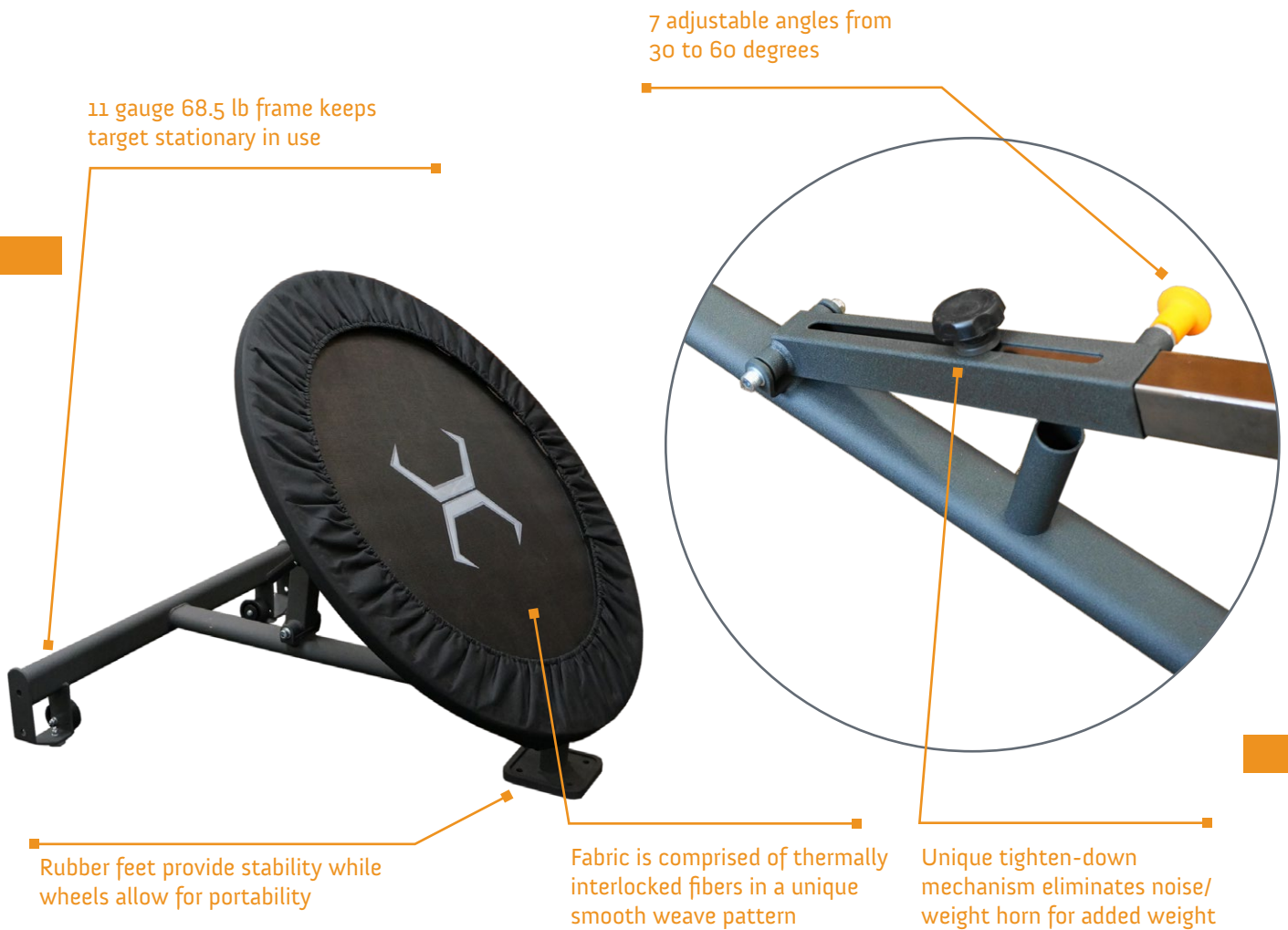


Model number	XRBA
Footprint (L x W x H)	7.3" x 3.0" x 85.7" (18.6 cm x 7.5 cm x 218 cm)
Weight	20.5 lbs (9.4 kg)
Warranty	10 year frame and welds/1 year parts and finish

TOP VIEW

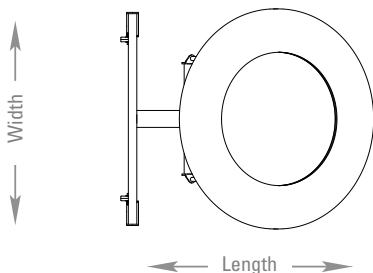


Note: Sold as a set of two uprights. Specifications above are for one upright.



Model number	BR
Footprint (L x W x H)	48.1" x 40.1" x 42.9" (122 cm x 104 cm x 109 cm)
Weight	68.5 lbs (31 kg)
Warranty	10 year frame and welds/1 year parts and finish

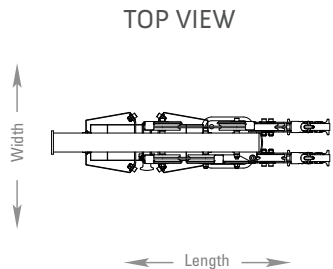
TOP VIEW



Note: Max. Ball Size 10 lbs (4.5 kg) / Min. Ball Diameter 8 inches (20 cm)



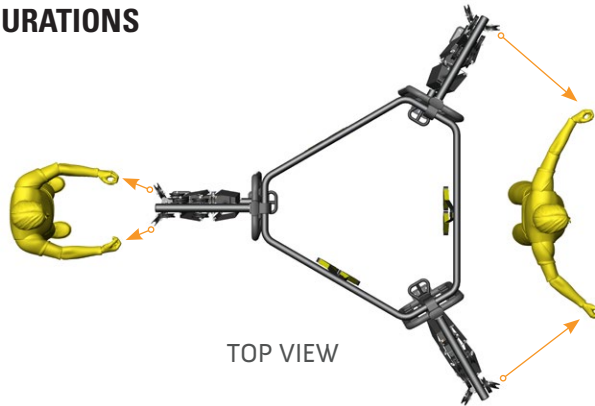
Model number	XCCS
Footprint (L x W x H)	32.5" x 14.0" x 97.0" (83 cm x 35 cm x 247 cm)
Weight	308 lbs (140 kg) incl. weight stack
Warranty	10 year frame and welds/1 year parts and finish



Note: The XCCS is compatible with X-Labs, X-Racks (with g' uprights) or can be wall-mounted. Two stations can be paired on systems to create a cable-crossover that provides three different pulley widths.

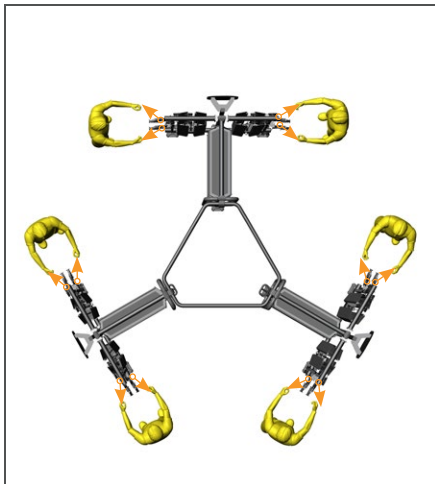
CABLE COMPONENT CONFIGURATIONS

Dual pulley adjustable cable column can be used individually for full body functional training.

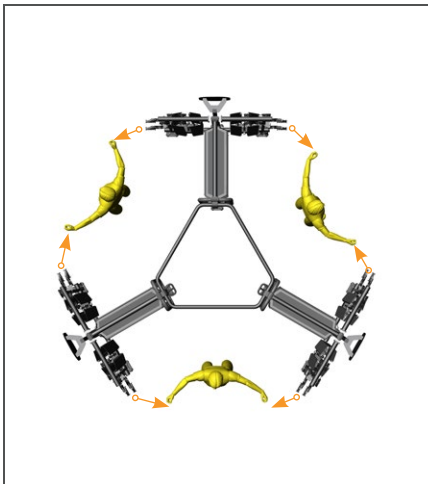


Two Cable Component Stations can be used together for cable crossover training.

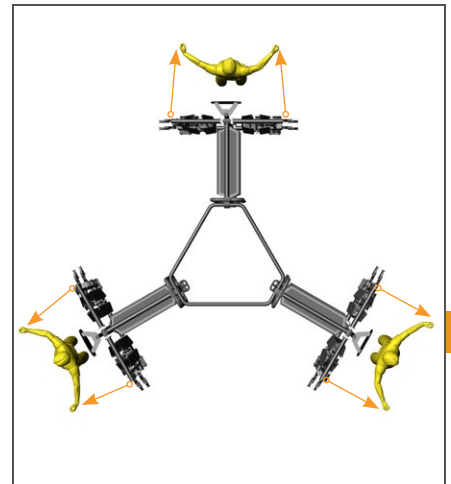
X-Lab W-Cross
Pulley distance 102"



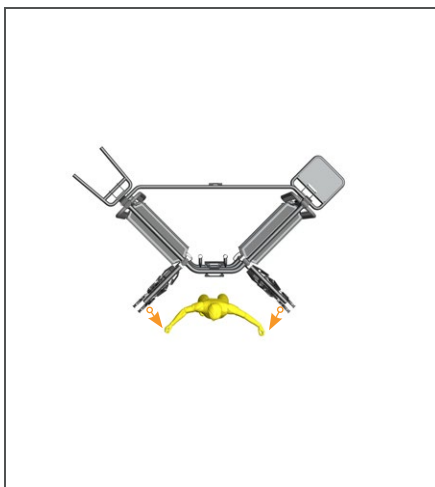
X-Lab CC Group Training
Pulley distance 4"



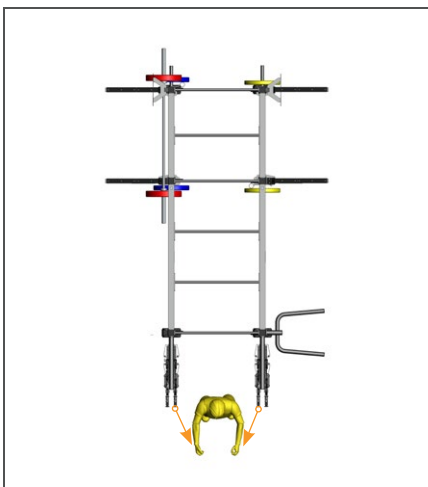
X-Lab C-Cross
Pulley distance 98"



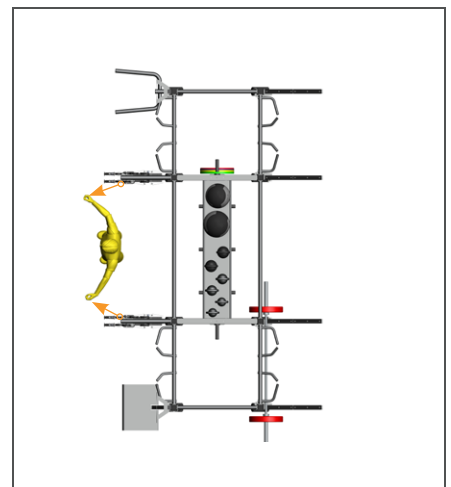
X-Lab I-Cross
Pulley distance 58"



X-Lab V-Cross
Pulley distance 70"



X-Rack 4-Cross
Pulley distance 41"



X-Rack 6-Cross
Pulley distance 71"

Cable Specifications

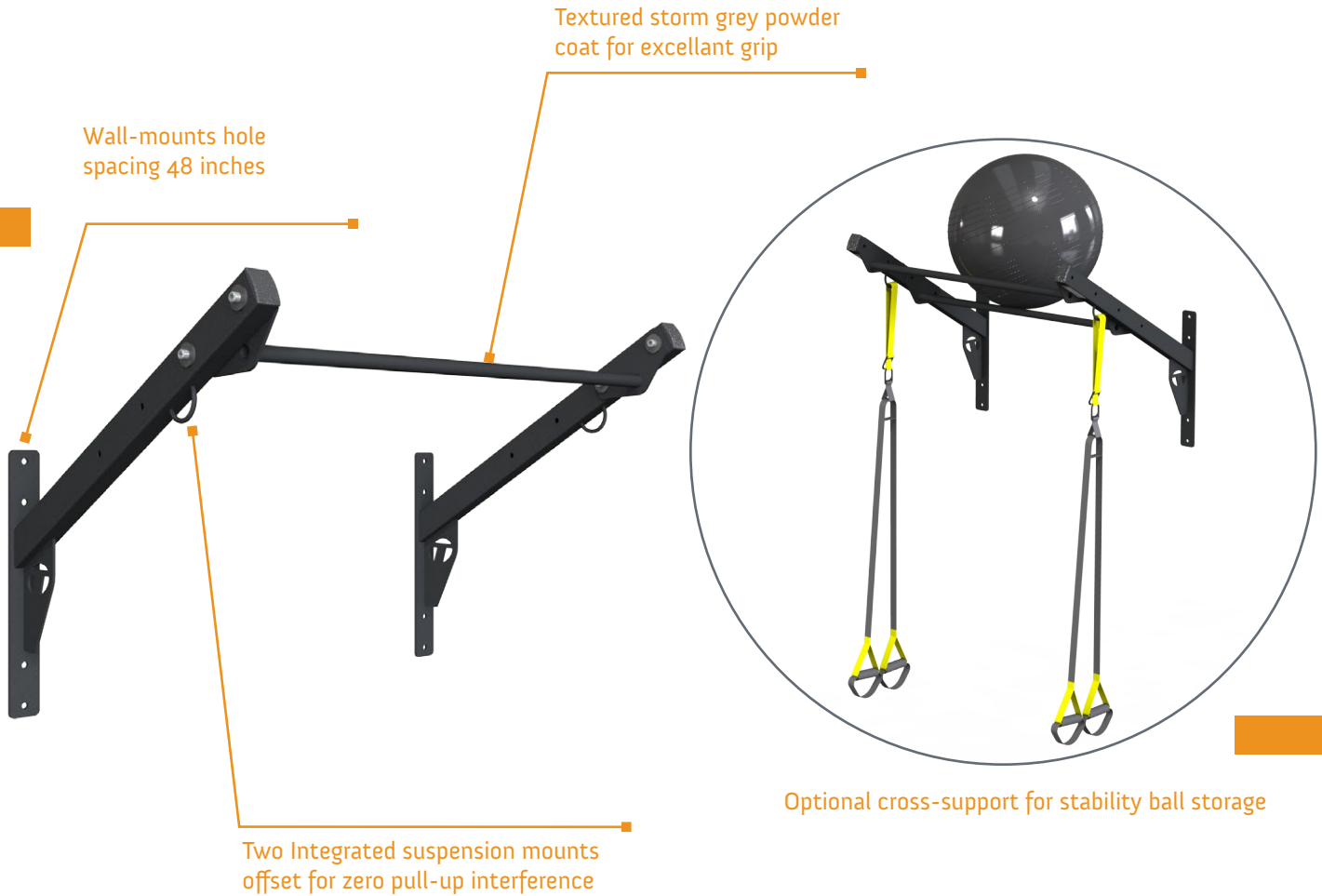
Weight Ratio: 1:2

Cable Travel Single Handle: 114 in (290 cm)

Cable Travel Double Handle: 57 in (145 cm)

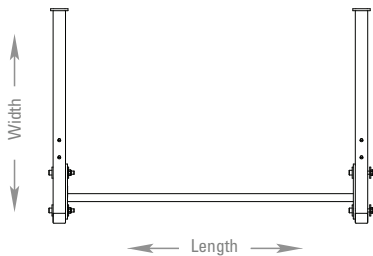


X-SERIES 4 FOOT WALL-MOUNT PULL-UP



Model number	XWMPU-4
Footprint (L x W x H)	50.8" x 34.1" x 35" (129 cm x 87 cm x 88 cm)
Minimum Required Live Area (For TRX Training)	4.5' x 11' (1.4 m x 3.4 m)
Warranty	10 year frame and welds/1 year parts and finish

TOP VIEW



Note: Must be anchored securely to a wall. Different wall materials require different types of fasteners. Mounting hardware is not included.

System can be expanded for additional users.

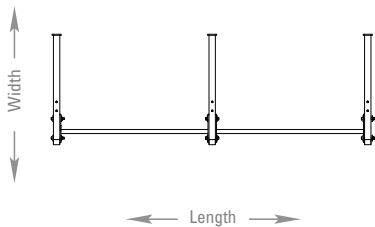


X-SERIES 8 FOOT WALL-MOUNT PULL-UP



Model number	XWMPU-8
Footprint (L x W x H)	98.7" x 34.1" x 35" (251 cm x 87 cm x 88 cm)
Minimum Required Live Area (For TRX Training)	8.6' x 11' (2.6 m x 3.4 m)
Warranty	10 year frame and welds/1 year parts and finish

TOP VIEW

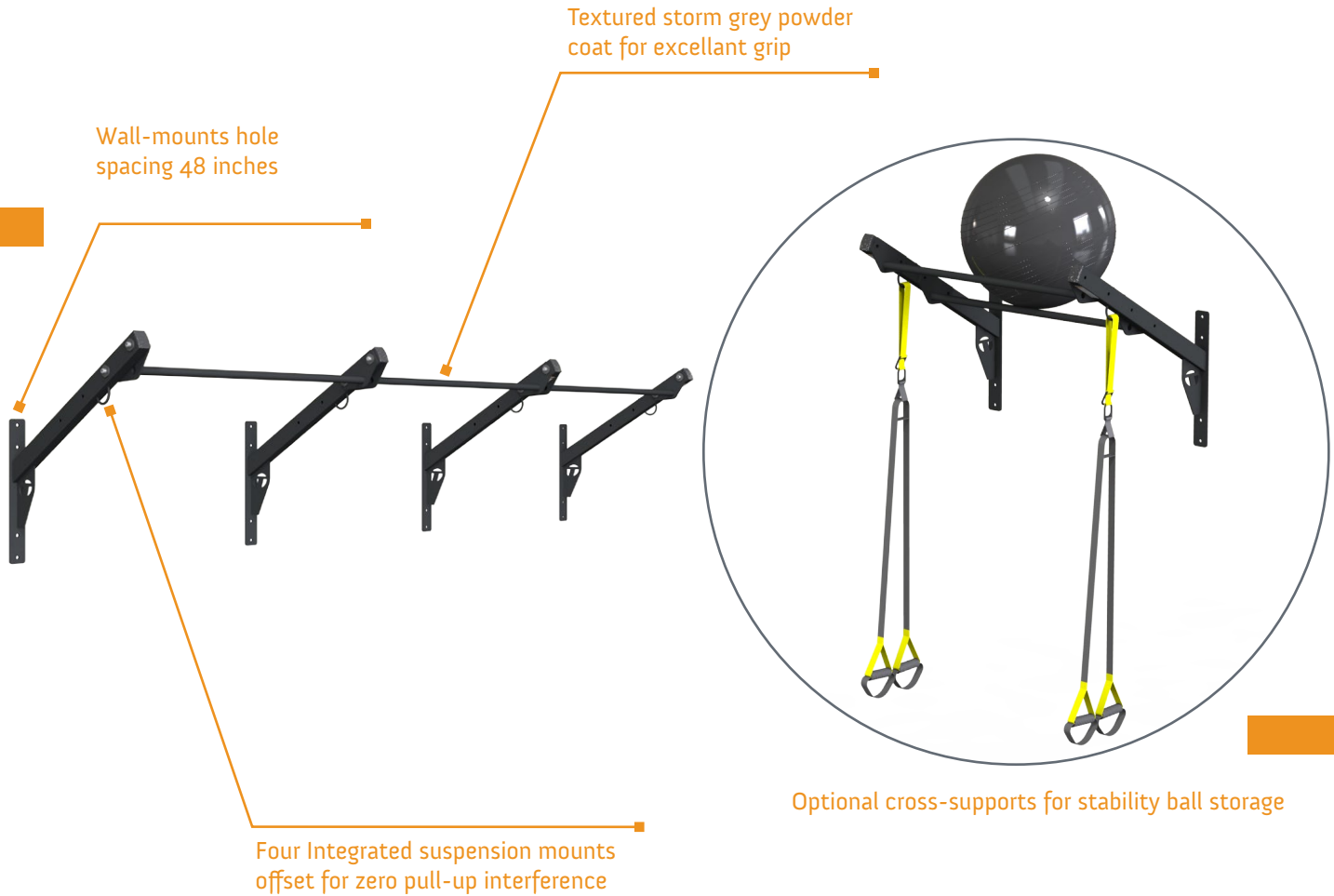


Note: Must be anchored securely to a wall. Different wall materials require different types of fasteners. Mounting hardware is not included.

System can be expanded for additional users.

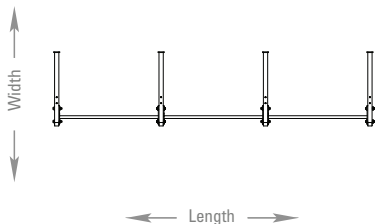


X-SERIES 12 FOOT WALL-MOUNT PULL-UP



Model number	XWMPU-12
Footprint (L x W x H)	146.7" x 34.1" x 35" (373 cm x 87 cm x 88 cm)
Minimum Required Live Area (For TRX Training)	12.6' x 11' (3.8 m x 3.4 m)
Warranty	10 year frame and welds/1 year parts and finish

TOP VIEW



Note: Must be anchored securely to a wall. Different wall materials require different types of fasteners. Mounting hardware is not included.

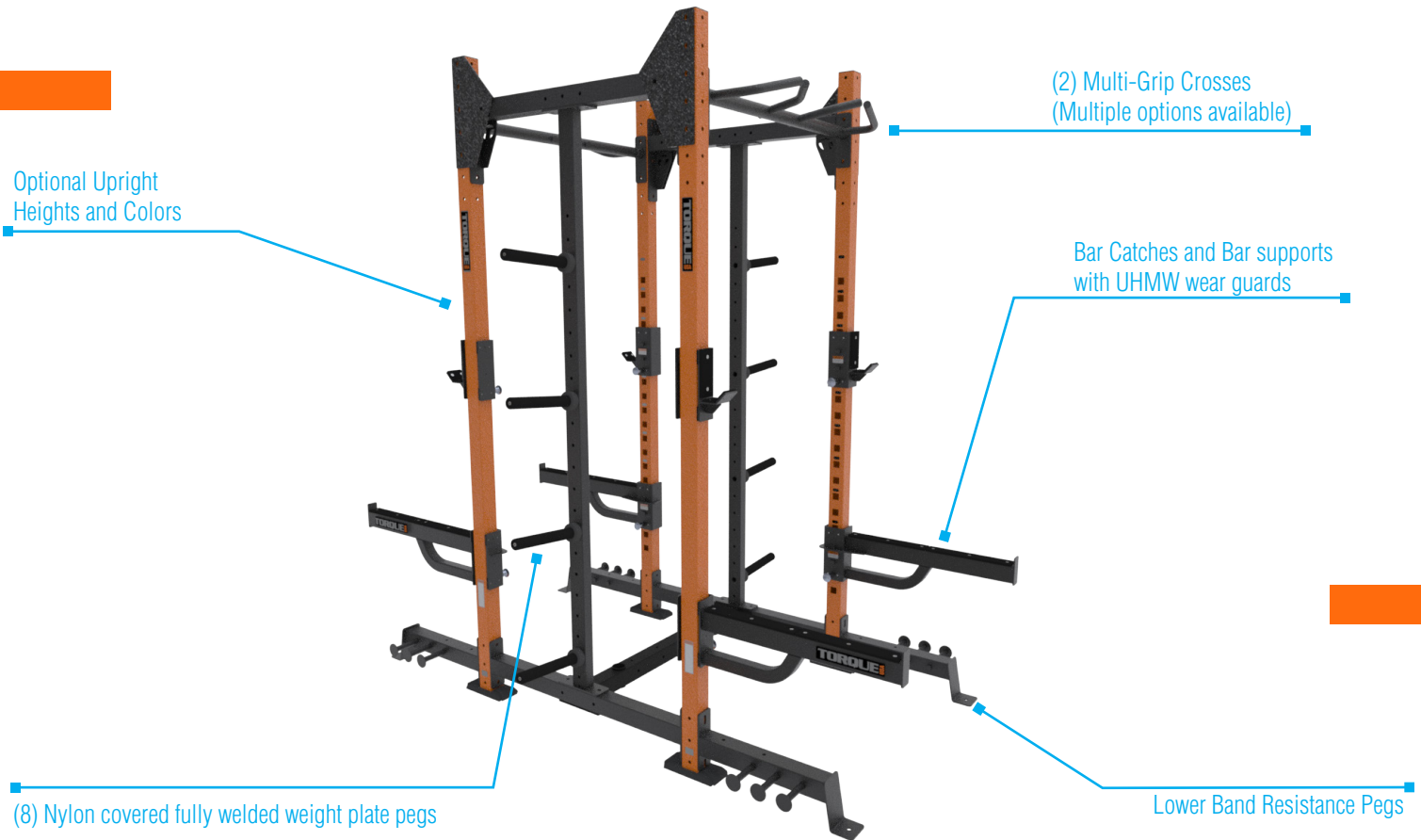
System can be expanded for additional users.





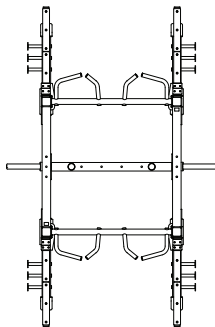
X-SIEGE PACKAGES





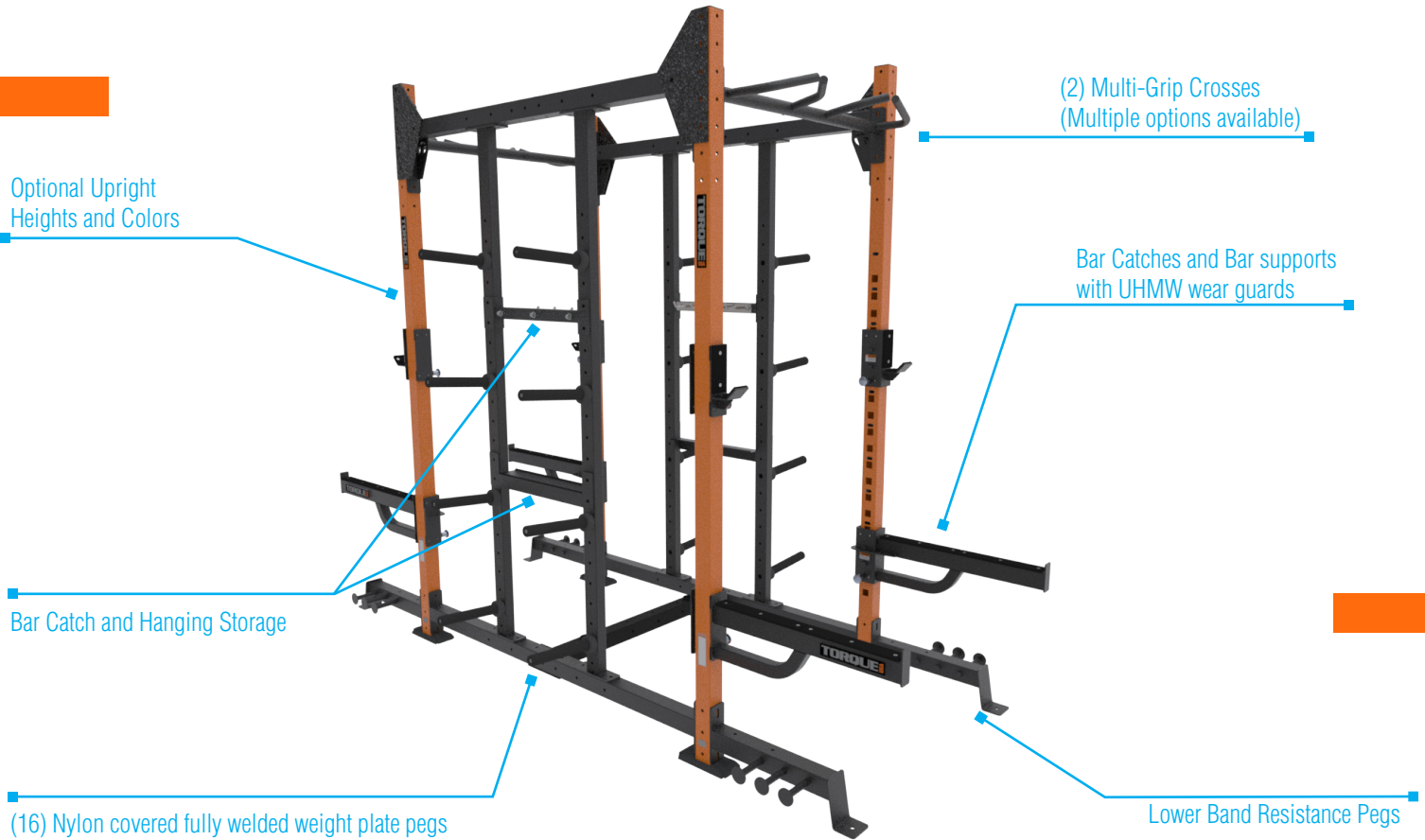
Model number	XSS-4-4-X1
Footprint	49.5" x 98.8" (125.73 cm x 250 cm)
Height	Frame 107.1" (272 cm) Optional Ball Target 129.0" (328 cm)
Minimum Required Live Area	96" x 199" (243 cm x 505 cm)
Upright Height Options	9 ft (XRACK-9U) Standard; Optional 8 ft (XRACK-8U)
Upright Color Options	Storm Grey, High Wear Red, Blue, Orange, and Platinum
Warranty	10 year frame and welds/1 year parts/90 days misc.

TOP VIEW



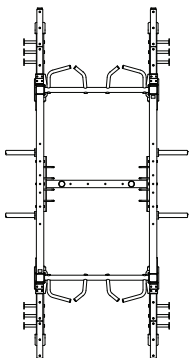
MAIN OPTIONS / SUBSTITUTIONS

- BALL TARGET
- PULL-UP CROSSES
- DIP/STEP/ATTACHMENT ANCHOR
- UPPER BAND PEG ATTACHMENT
- UPRIGHT COLORS & 8' HEIGHT OPTION
- PLATFORM & INSERT
- GROUND ROTATIONAL TRAINER
- BATTLE ROPE ANCHOR
- ENDLESS ROPE
- FLYING PULL-UP



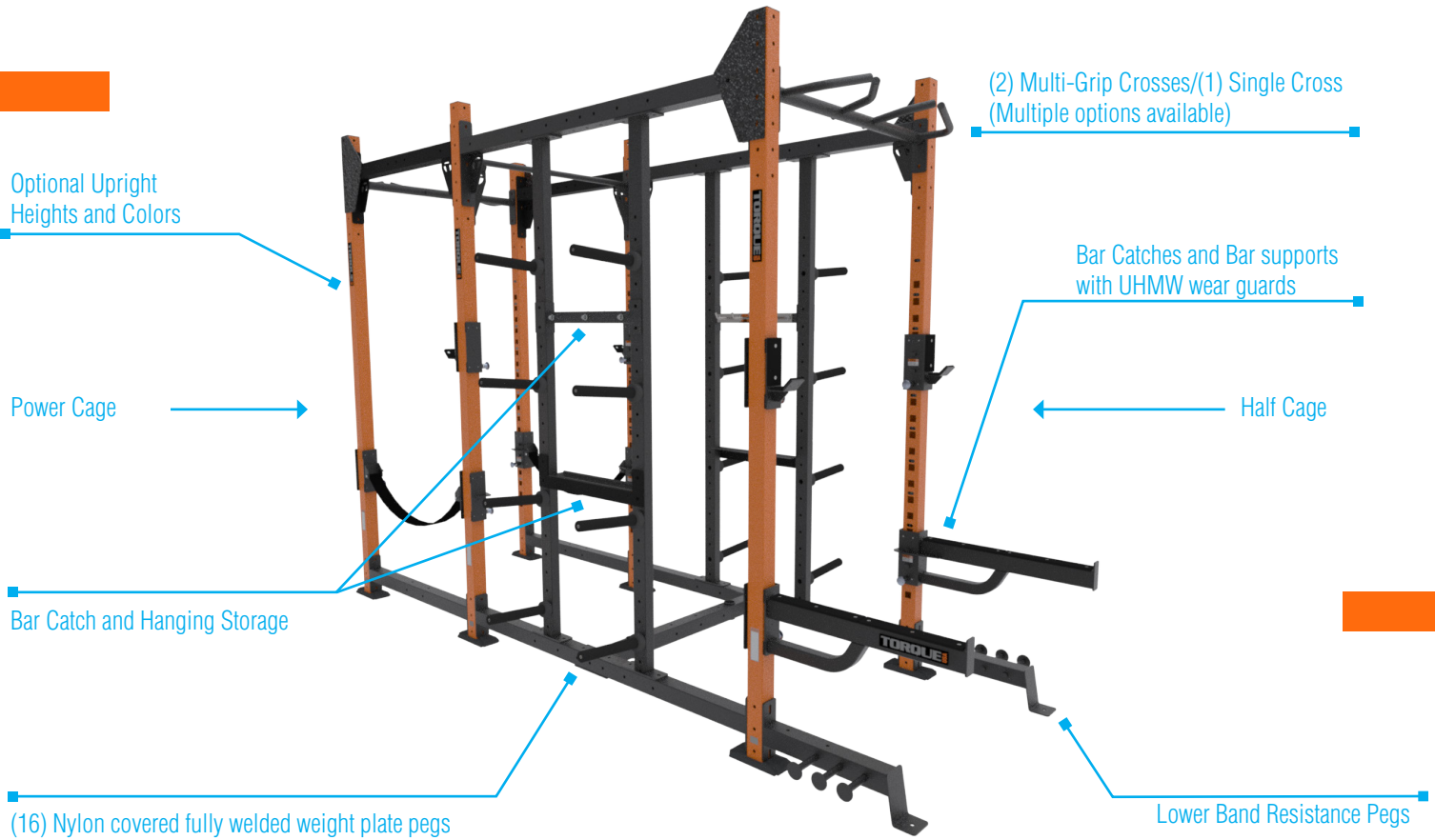
Model number	XSS-6-4-X1
Footprint	49.5" x 128.7" (125.73 cm x 326 cm)
Height	Frame 107.1" (272 cm) Optional Ball Target 129.0" (328 cm)
Minimum Required Live Area	96" x 229" (243 cm x 581 cm)
Upright Height Options	9 ft (XRACK-9U) Standard; Optional 8 ft (XRACK-8U)
Upright Color Options	Storm Grey, High Wear Red, Blue, Orange, and Platinum
Warranty	10 year frame and welds/1 year parts/90 days misc.

TOP VIEW



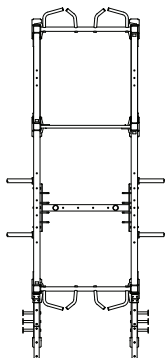
MAIN OPTIONS / SUBSTITUTIONS

- BALL TARGET
- PULL-UP CROSSES
- DIP/STEP/ATTACHMENT ANCHOR
- UPPER BAND PEG ATTACHMENT
- UPRIGHT COLORS & 8' HEIGHT OPTION
- PLATFORM & INSERT
- GROUND ROTATIONAL TRAINER
- BATTLE ROPE ANCHOR
- ENDLESS ROPE
- FLYING PULL-UP



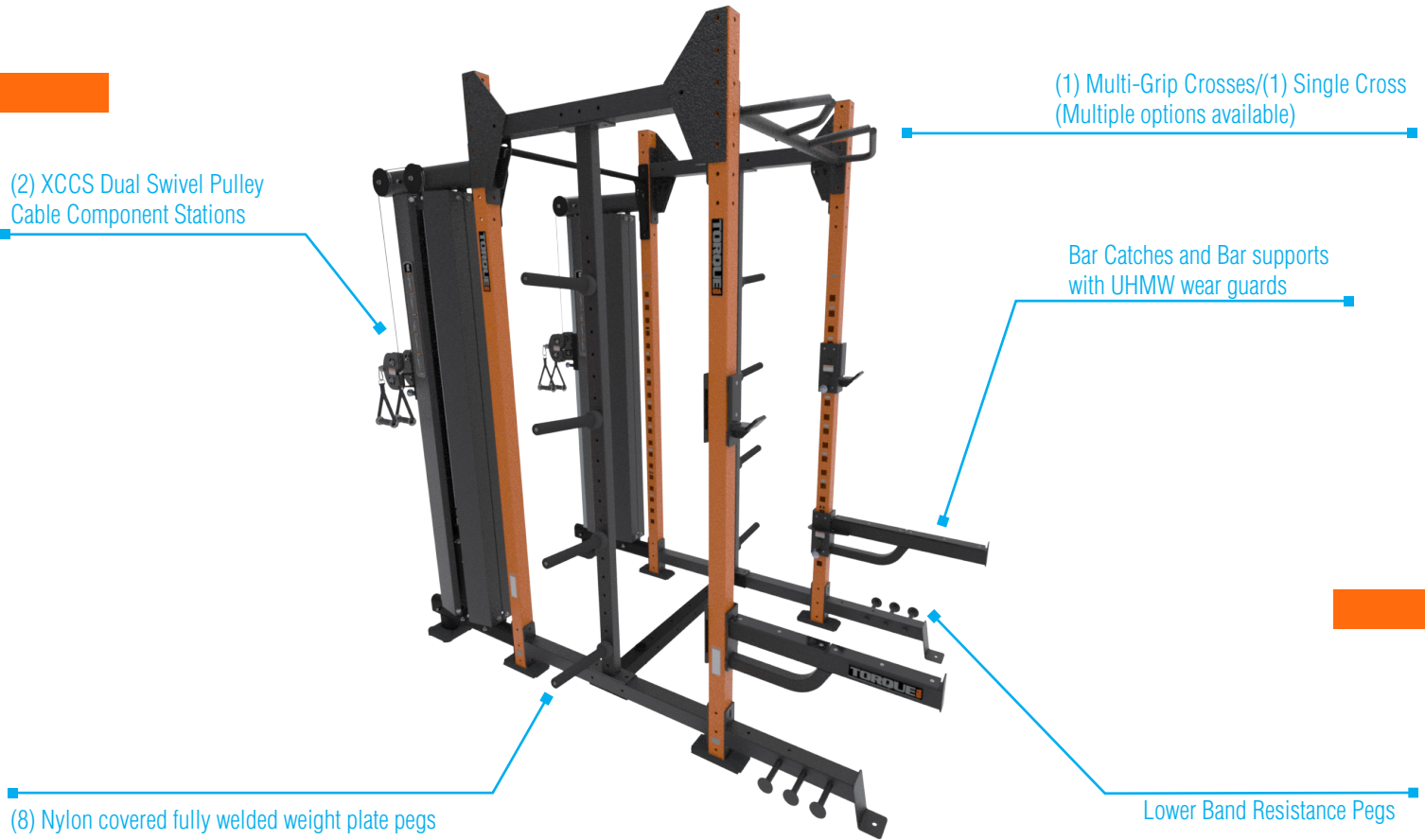
Model number	XSS-10-4-X1
Footprint	49.5" x 151.6" (125.73 cm x 385 cm)
Height	Frame 107.1" (272 cm) Optional Ball Target 129.0" (328 cm)
Minimum Required Live Area	96" x 206" (243 cm x 523 cm)
Upright Height Options	9 ft (XRACK-9U) Standard; Optional 8 ft (XRACK-8U)
Upright Color Options	Storm Grey, High Wear Red, Blue, Orange, and Platinum
Warranty	10 year frame and welds/1 year parts/90 days misc.

TOP VIEW



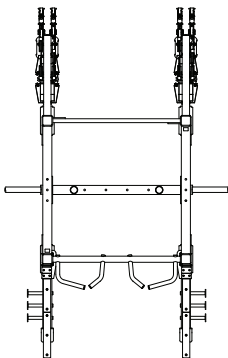
MAIN OPTIONS / SUBSTITUTIONS

- BALL TARGET
- PULL-UP CROSSES
- DIP/STEP/ATTACHMENT ANCHOR
- UPPER BAND PEG ATTACHMENT
- UPRIGHT COLORS & 8' HEIGHT OPTION
- PLATFORM & INSERT
- GROUND ROTATIONAL TRAINER
- BATTLE ROPE ANCHOR
- ENDLESS ROPE
- FLYING PULL-UP



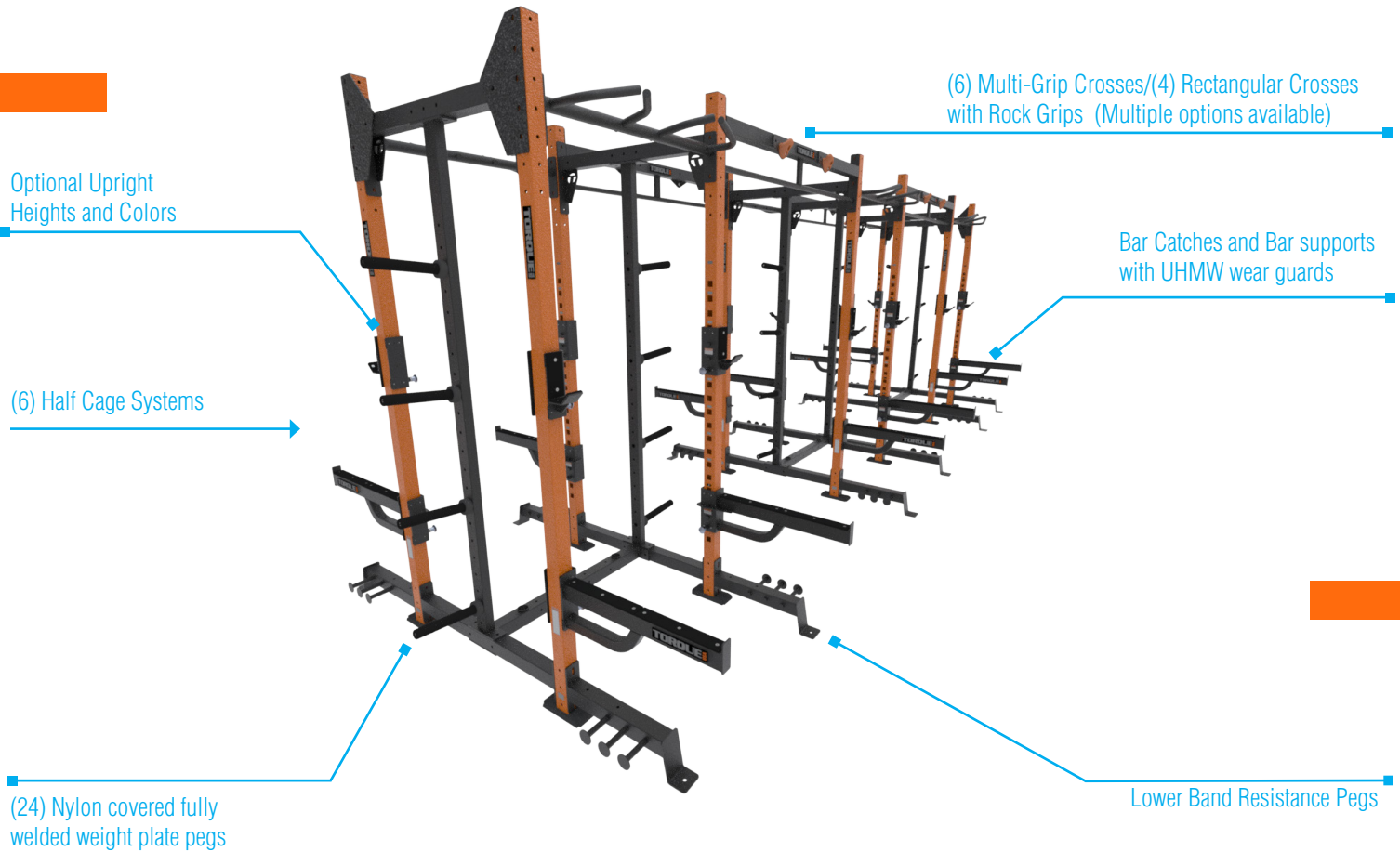
Model number	XSSC-4-4-X1
Footprint	52.3" x 99.3" (132 cm x 252 cm)
Height	Frame 107.1" (272 cm) Optional Ball Target 129.0" (328 cm)
Minimum Required Live Area	96" x 207" (243 cm x 525 cm)
Upright Height Options	9 ft (XRACK-9U) Only
Upright Color Options	Storm Grey, High Wear Red, Blue, Orange, and Platinum
Warranty	10 year frame and welds/1 year parts/90 days misc.

TOP VIEW



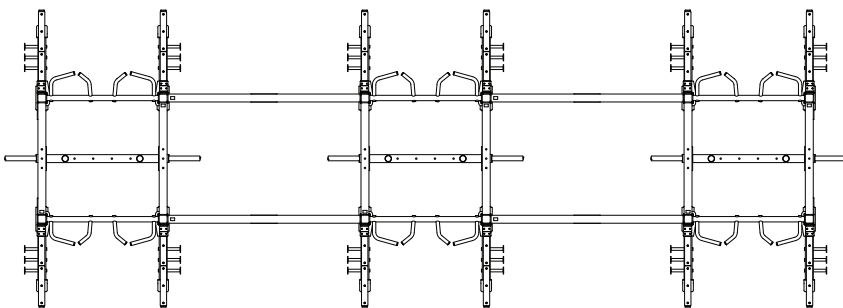
MAIN OPTIONS / SUBSTITUTIONS

- BALL TARGET
- PULL-UP CROSSES
- DIP/STEP/ATTACHMENT ANCHOR
- UPPER BAND PEG ATTACHMENT
- UPRIGHT COLORS
- PLATFORM & INSERT
- GROUND ROTATIONAL TRAINER
- BATTLE ROPE ANCHOR
- ENDLESS ROPE
- FLYING PULL-UP



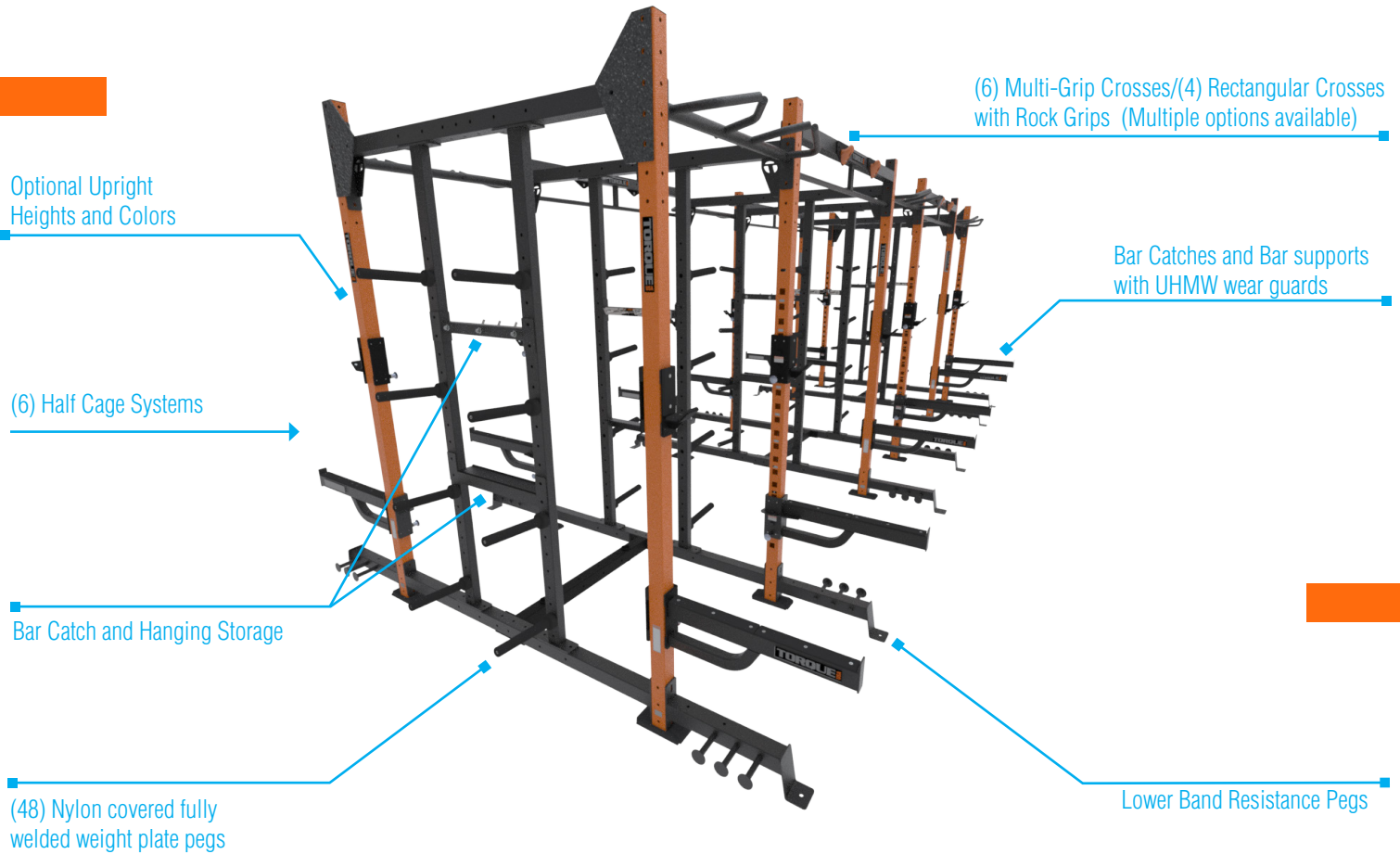
Model number	XSS-4-24-X1
Footprint	289.5" x 98.8" (735 cm x 250 cm)
Height	Frame 107.1" (272 cm) Optional Ball Target 129.0" (328 cm)
Minimum Required Live Area	336" x 199" (853 cm x 505 cm)
Upright Height Options	9 ft (XRACK-9U) Standard; Optional 8 ft (XRACK-8U)
Upright Color Options	Storm Grey, High Wear Red, Blue, Orange, and Platinum
Warranty	10 year frame and welds/1 year parts/90 days misc.

TOP VIEW



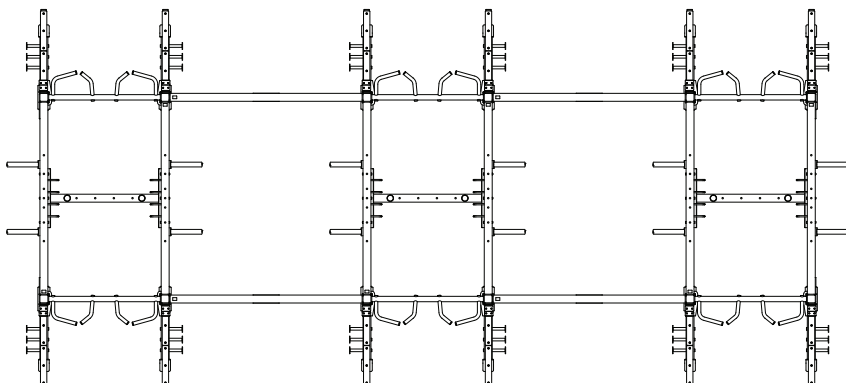
MAIN OPTIONS / SUBSTITUTIONS

- BALL TARGET
- PULL-UP CROSSES
- DIP/STEP/ATTACHMENT ANCHOR
- UPPER BAND PEG ATTACHMENT
- UPRIGHT COLORS & 8' HEIGHT OPTION
- PLATFORM & INSERT
- GROUND ROTATIONAL TRAINER
- BATTLE ROPE ANCHOR
- ENDLESS ROPE
- FLYING PULL-UP
- HEAVY BAG ATTACHMENT



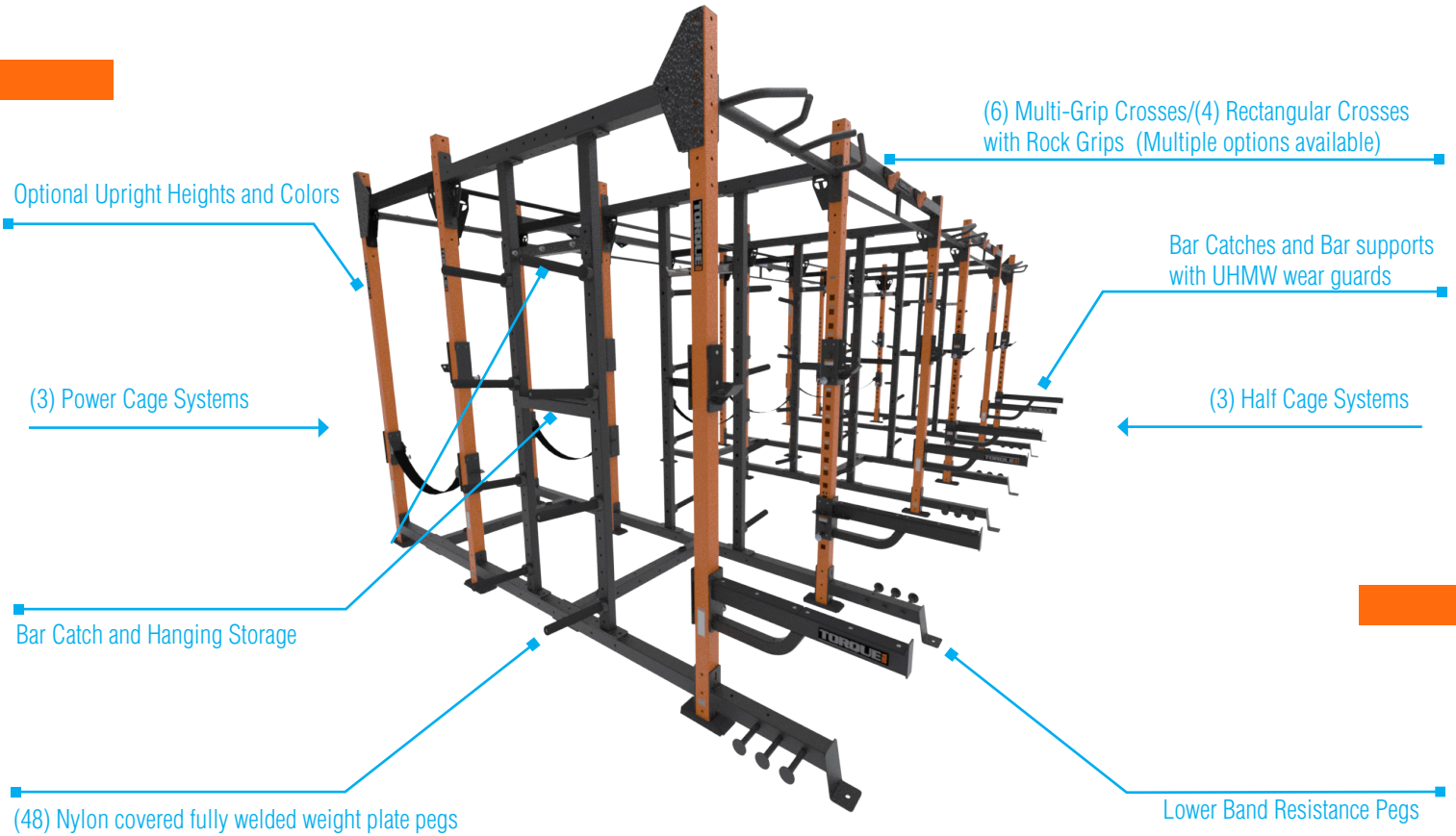
Model number	XSS-6-24-X1
Footprint	289.5" x 128.7" (735 cm x 326 cm)
Height	Frame 107.1" (272 cm) Optional Ball Target 129.0" (328 cm)
Minimum Required Live Area	336" x 229" (853 cm x 581 cm)
Upright Height Options	9 ft (XRACK-9U) Standard; Optional 8 ft (XRACK-8U)
Upright Color Options	Storm Grey, High Wear Red, Blue, Orange, and Platinum
Warranty	10 year frame and welds/1 year parts/90 days misc.

TOP VIEW



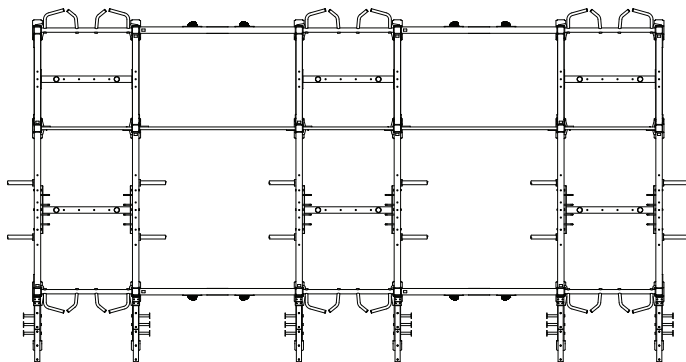
MAIN OPTIONS / SUBSTITUTIONS

- BALL TARGET
- PULL-UP CROSSES
- DIP/STEP/ATTACHMENT ANCHOR
- UPPER BAND PEG ATTACHMENT
- UPRIGHT COLORS & 8' HEIGHT OPTION
- PLATFORM & INSERT
- GROUND ROTATIONAL TRAINER
- BATTLE ROPE ANCHOR
- ENDLESS ROPE
- FLYING PULL-UP
- HEAVY BAG ATTACHMENT



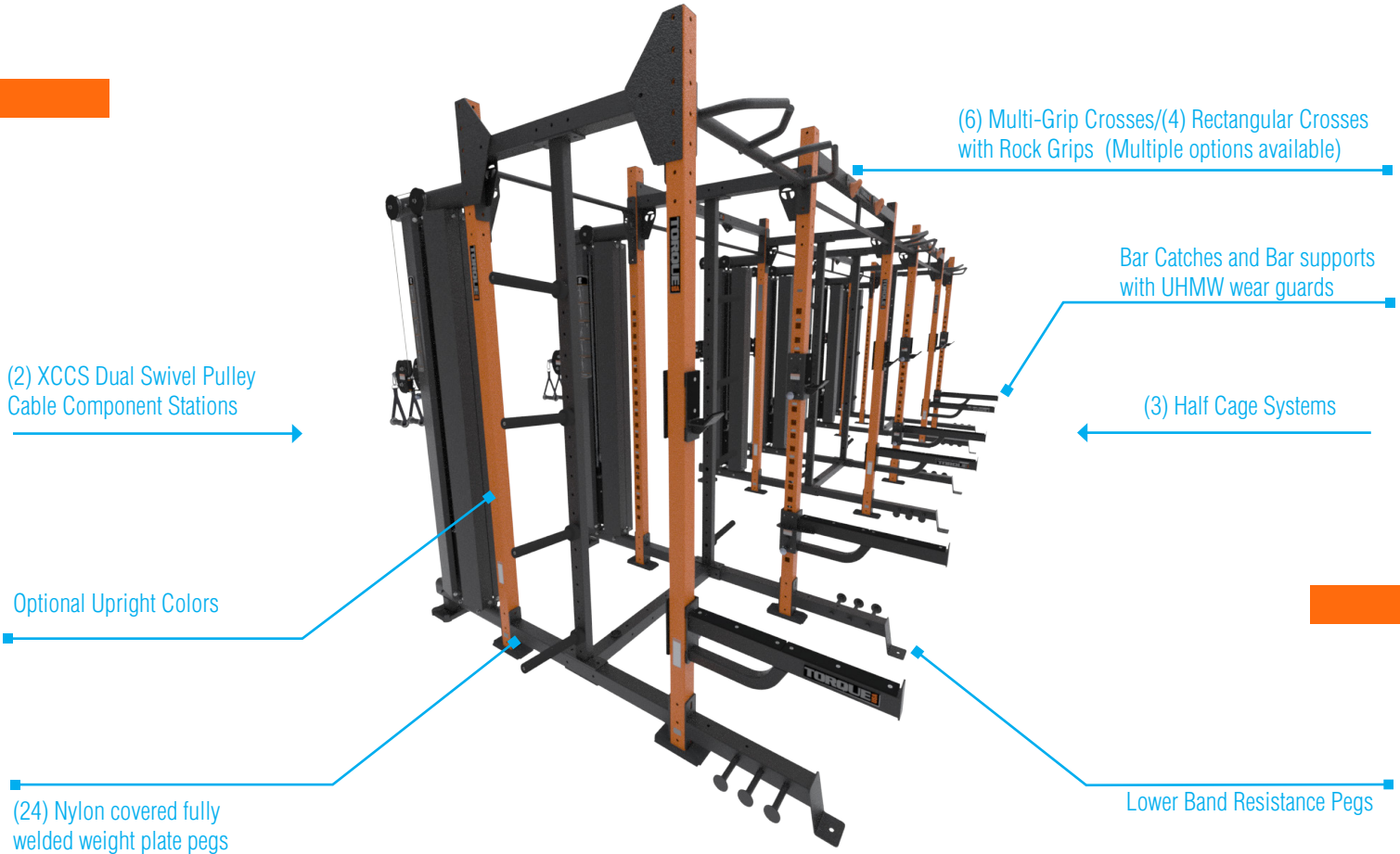
Model number	XSS-10-24-X1
Footprint	289.5" x 151.6" (735 cm x 385 cm)
Height	Frame 107.1" (272 cm) Optional Ball Target 129.0" (328 cm)
Minimum Required Live Area	336" x 206" (853 cm x 523 cm)
Upright Height Options	9 ft (XRACK-9U) Standard; Optional 8 ft (XRACK-8U)
Upright Color Options	Storm Grey, High Wear Red, Blue, Orange, and Platinum
Warranty	10 year frame and welds/1 year parts/90 days misc.

TOP VIEW



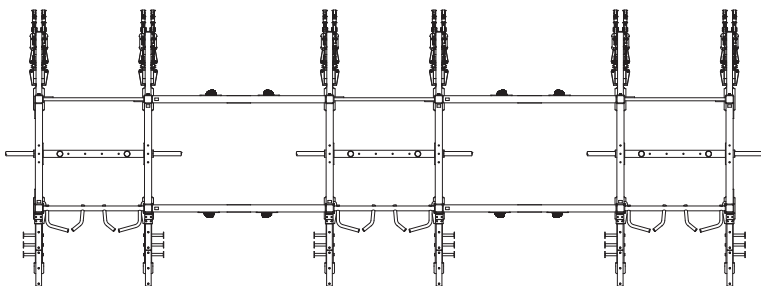
MAIN OPTIONS / SUBSTITUTIONS

- BALL TARGET
- PULL-UP CROSSES
- DIP/STEP/ATTACHMENT ANCHOR
- UPPER BAND PEG ATTACHMENT
- UPRIGHT COLORS & 8' HEIGHT OPTION
- PLATFORM & INSERT
- GROUND ROTATIONAL TRAINER
- BATTLE ROPE ANCHOR
- ENDLESS ROPE
- FLYING PULL-UP
- HEAVY BAG ATTACHMENT



Model number	XSSC-4-24-X1
Footprint	289.5" x 99.3" (735 cm x 252 cm)
Height	Frame 107.1" (272 cm) Optional Ball Target 129.0" (328 cm)
Minimum Required Live Area	336" x 207" (853 cm x 525 cm)
Upright Height Options	9 ft (XRACK-9U) Only
Upright Color Options	Storm Grey, High Wear Red, Blue, Orange, and Platinum
Warranty	10 year frame and welds/1 year parts/90 days misc.

TOP VIEW



MAIN OPTIONS / SUBSTITUTIONS

- BALL TARGET
- PULL-UP CROSSES
- DIP/STEP/ATTACHMENT ANCHOR
- UPPER BAND PEG ATTACHMENT
- UPRIGHT COLORS
- PLATFORM & INSERT
- GROUND ROTATIONAL TRAINER
- BATTLE ROPE ANCHOR
- ENDLESS ROPE
- FLYING PULL-UP
- HEAVY BAG ATTACHMENT